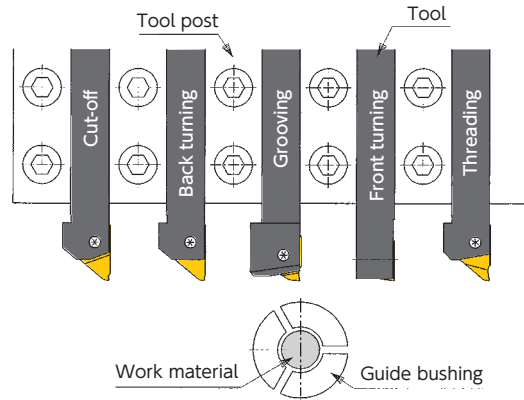
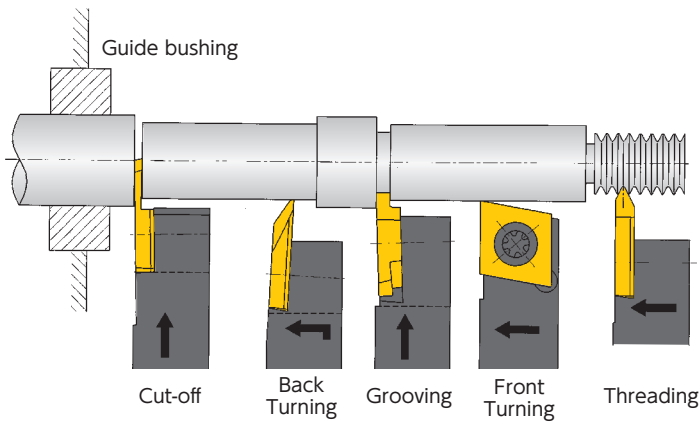
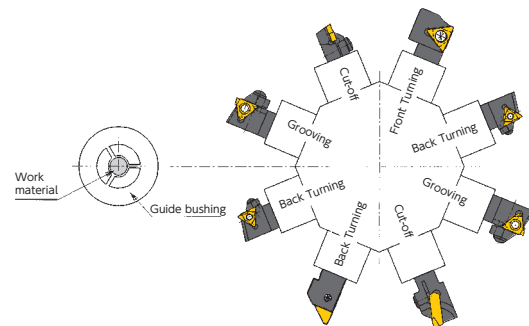
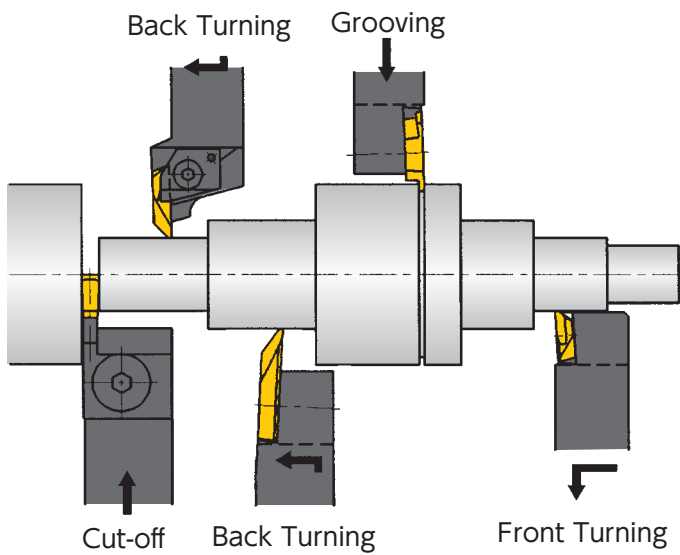


Tooling example for a small CNC automatic lathe (gang type)



Tooling for gang type tool post

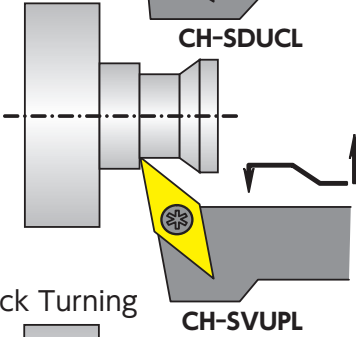
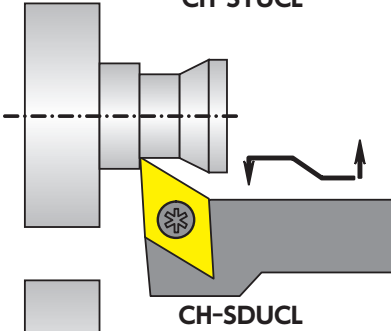
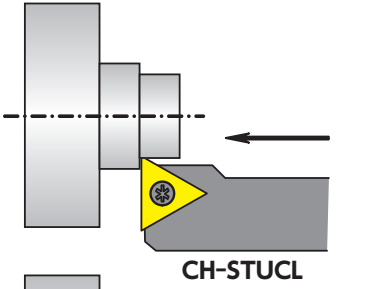
Tooling example for a small CNC automatic lathe (turret type)



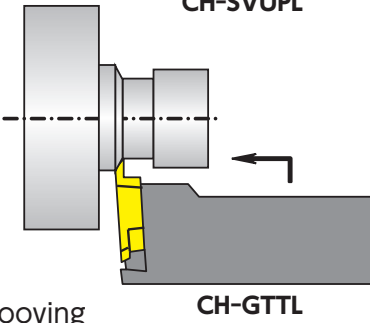
Tooling for turret type tool post

Tooling example for a small CNC automatic lathe (horizontal gang style)

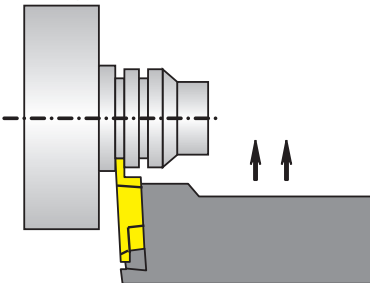
■ Front Turning



■ back Turning



■ Grooving



■ ID Boring

