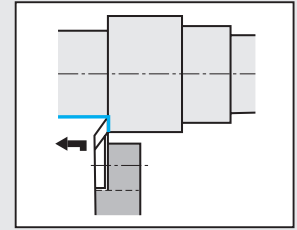
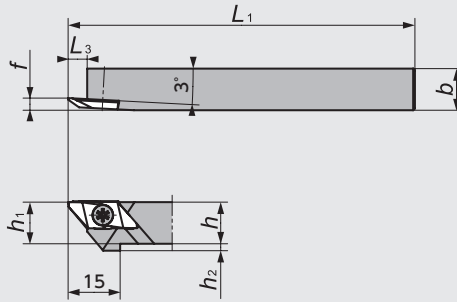


TBP Series

TBP

Screw accessible from both sides

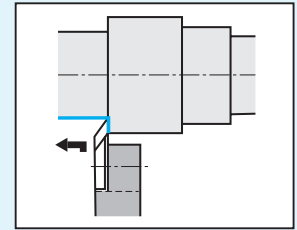
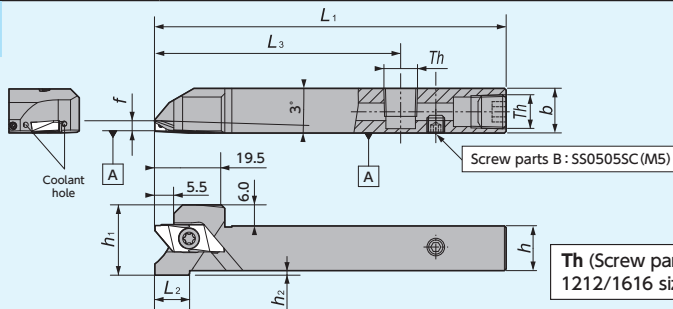


● Right-Hand style shown

Figure-1

TBP-OH2

(Coolant through)
Screw accessible from both sides



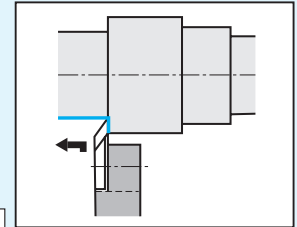
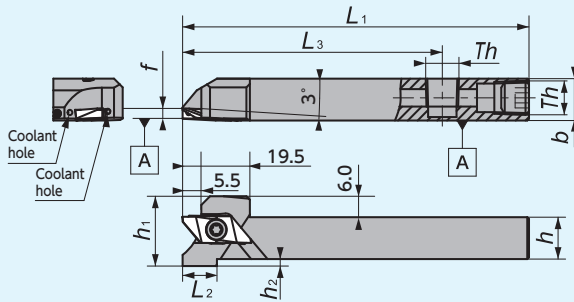
● Right-Hand style shown

Figure-2

Th (Screw parts A)
1212/1616 size : SPR1/8(Rc1/8)

TBP-OH

(Coolant through)
Screw accessible from both sides



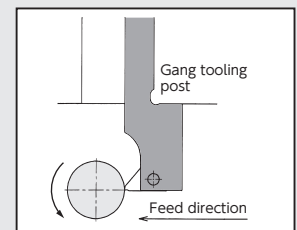
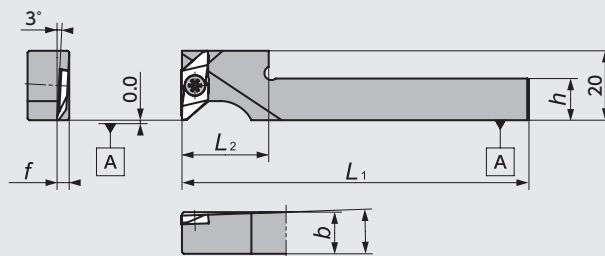
● Right-Hand style shown

Figure-3

Th (Screw parts A)
1012 size : SS0605SC (M6×1.0)
1212/1616 size : SPR1/8(Rc1/8)

Y-TBP

Screw accessible from both sides

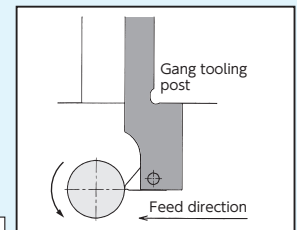
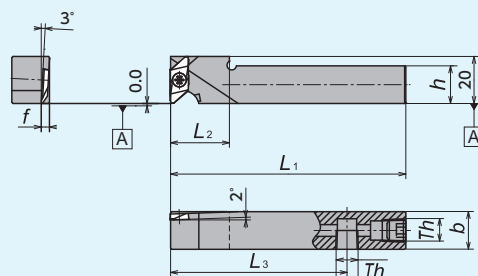


● Right-Hand style shown
☆ Takes Right-hand insert

Figure-4

Y-TBP-OH

(Coolant through)
Screw accessible from both sides



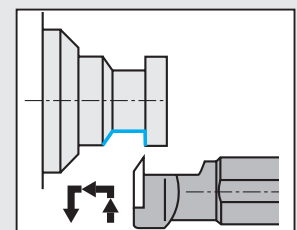
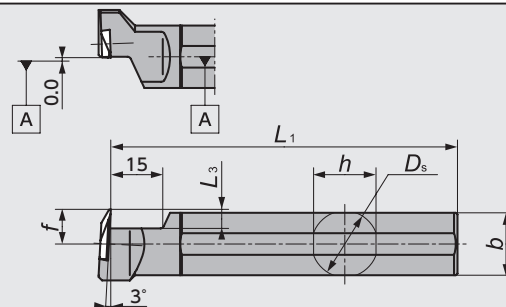
● Right-Hand style shown
☆ Takes Right-hand insert

Figure-5

Th (Screw parts A)
1212/1616 size : SPR1/8(Rc1/8)

DS-TBP

(DS Holder)



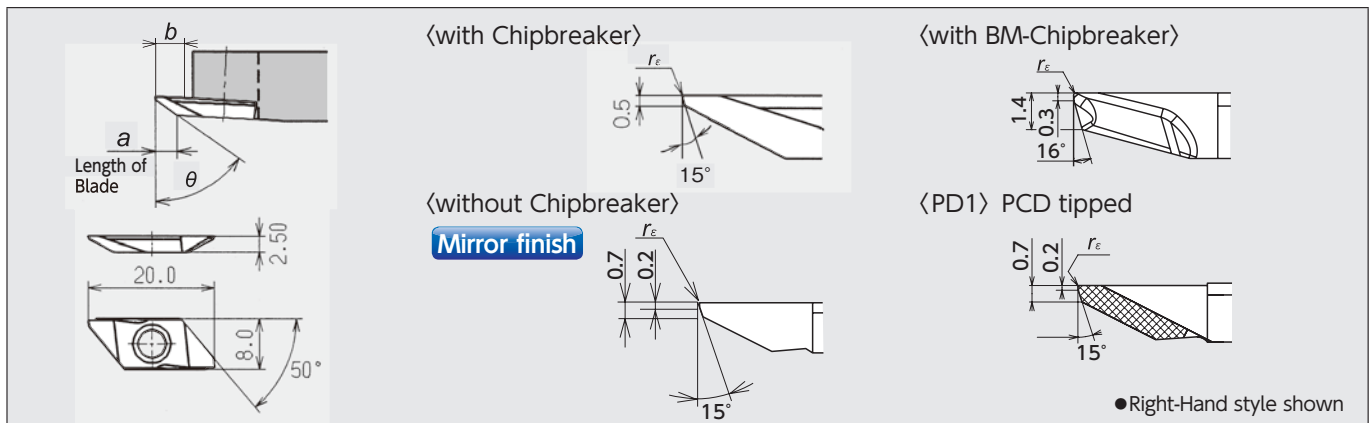
● Left-Hand style shown
☆ Takes Right-hand insert

Figure-6

TBP Series - Toolholders

Figure	Code No.		Item Number	Stock		Dimensions (mm)								Gage insert	Spare Parts			
	R	L		R	L	D_s	h	b	L_1	h_1	h_2	f	L_2		L_3	Clamp Screw		Wrench
																(A)	(B)	(A)
1	5133285	5133293	TBP $\frac{R}{L}$ 08	●	●	-	8	10	120	8	4	3.5	-	5.5	TBP	LRIS-4*10PW (A)	CLR-15S (A)	
	5873856		10H	●	●		10	10	100	10	2							
	5090436	5090444	10	●	●				120									
	5459771		12GX	●	●		12	12	85	12								
	5090451	5090469	12	●	●				120	13	0							
	5090477	5090485	13	●	●		13	13	120	13	0							
	5459789		16H	●	●		16	16	100	16								
5270822	5270830	16	●	●			120											
2	5037965		TBPR $\frac{R}{L}$ 12H-OH2	●	●	-	12	12	100	12	2	3.5	10	70	TBP	LRIS-4*12PW (A)	CLR-15S (A)	
	5043971		16X-OH2	●	●		16	16	120	16	0							
3	5925722		TBP $\frac{R}{L}$ 1012H-OH	●	●	-	10	12	100	10	4	3.5	19	75	TBP	LRIS-4*10PW (A)	CLR-15S (A)	
	5925730		12H-OH	●	●		12	12		12	2							
	5925748		16H-OH	●	●		16	16		16	0							
4	5371554		Y-TBP $\frac{R}{L}$ 10S	●	●	-	10	10	120	-	-	3.5	20	-	TBP	LRIS-4*10PW(A)	CLR-15S (A)	
	5950399		10MS	●	●		10	10								22		
	5371588		12S	●	●		12	12								20		
	5950407		12MS	●	●		12	12								22		
5	5911508		Y-TBP $\frac{R}{L}$ 12HS-OH	●	●	-	12	12	100	-	-	3.5	20	-	TBP	LRIS-4*12PW (A)	CLR-15S (A)	
	5911516		16H-OH	●	●		16	16										25
6		5540414	DS-TBP $\frac{R}{L}$ 19	●	●	19.050	18	18	120	-	-	10.0	-	5.5	TBP	LRIS-4*10 (B)	LLR-25S -20*65 (B)	
		5540422	20	●	●	20.000	19	19										
		5540430	25	●	●	25.400	24	24										150

TBP Series - Inserts



Item Number	Chip-breaker	Length of Blade a	Max Depth of cut b	Dimensions (mm)		PVD Coated Carbide												Carbide		PCD									
				θ	r_e	ST4		ZM3		QM3		VM1		TM4		DT4		DM4		KM1		PD1							
						R	Stock	R	Stock	L	Stock	R	Stock	R	Stock	L	Stock	R	Stock	R	Stock	R	Stock	R	Stock				
TBP72FR05-BM 72FR10M-BM 72FR20M-BM	Yes	3.5	72°	0.05	5039524	●												5868310	●			5868401	●						
				0.08	5039532	●														5868351	●			5868419	●				
				0.18	5039540	●															5868336	●			5868393	●			
TBP55F $\frac{R}{L}$ 00 55F $\frac{R}{L}$ 10	Yes	3.0	55°	0.00			5090378	●	5090360	●																			
				0.10			5090352	●	5090386	●																			
TBP60F $\frac{R}{L}$ 00 60F $\frac{R}{L}$ 05 60F $\frac{R}{L}$ 10 60F $\frac{R}{L}$ 10M 60F $\frac{R}{L}$ 20 60F $\frac{R}{L}$ V	Yes	3.7	5.3	0.00			5090410	●	5090428	●	5494711	●	5275508	●					5710108	●	5850805	●							
				0.05																									
				0.10			5090402	●	5090394	●	5362488	●	5269949	●							5706114	●							
				※0.08								5486964	●	5476403	●									5850813	●				
				0.2																									
60FRV00-P	No	4.8	60°	0.00			5345715	●					5264940	●	5264957	●									5299276	●			
60FRV05-P	No	4.0		0.05										5440680	●											5781745 (1 corner)	●		
60FRV10-P	No	4.8		0.10				5482690	●					5440698	●												5575675	●	
				0.10																								5575683	●
				0.10																									5785118 (1 corner)

※Inserts having "10M" the R code can be used for machining when the component drawing specifies that the radius is less than R=0.1
Note: All angles shown are obtained when insert is set in the holder.

New Products
 Tool Materials / Selection Guide
 Micrograin Carbide, BIDE/MCS, PCD
 PVD/Coated Carbide, CBN and Ceramics
 Insert Item List
 General Turning Toolholders
 Unique Swiss Tooling
 Grooving / Side Turning
 Threading
 Shaper
 ID Tooling
 Application Introduction
 Endmills
 Rotating Tools
 Information
 Index