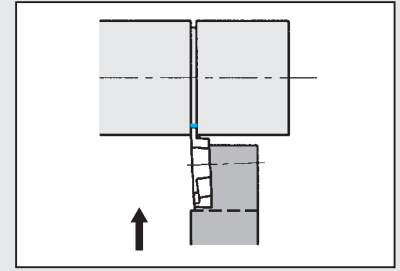
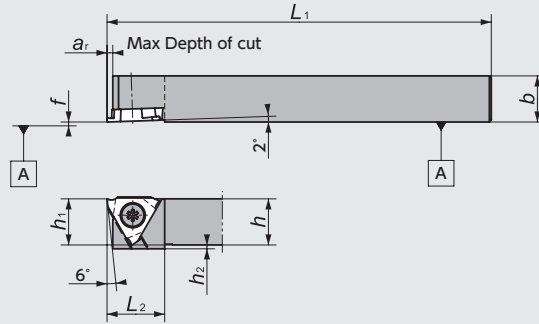


GTT Series

GTT

Screw accessible from both sides

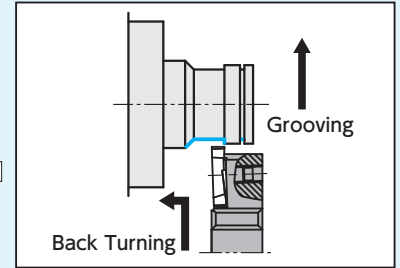
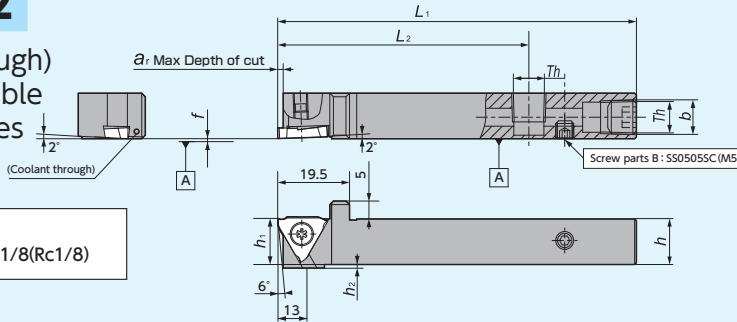


● Right-Hand style shown

Figure-1

GTT-OH2

(Coolant through)
Screw accessible from both sides

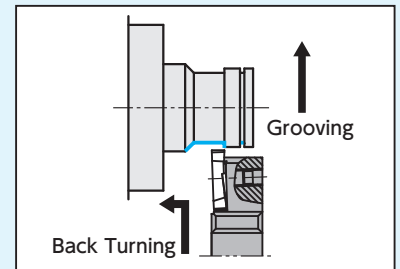
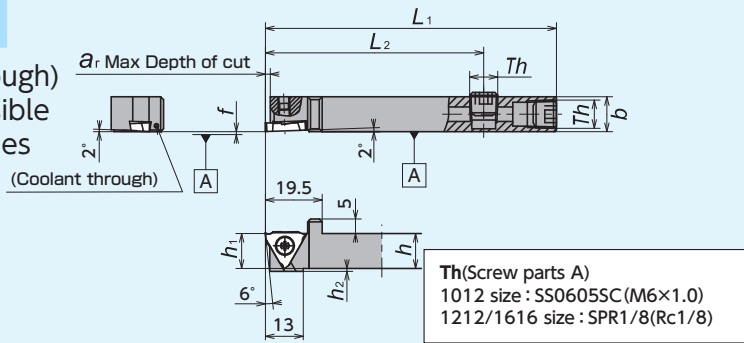


● Right-Hand style shown

Figure-2

GTT-OH

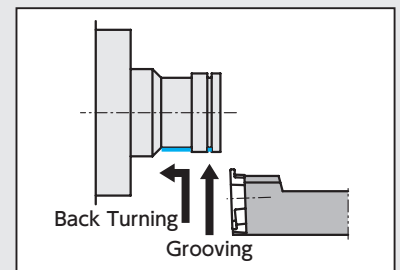
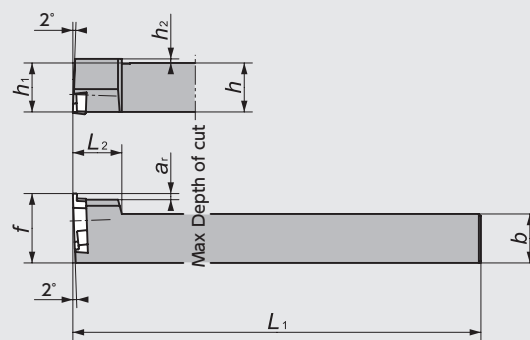
(Coolant through)
Screw accessible from both sides



● Right-Hand style shown

Figure-3

CH-GTT

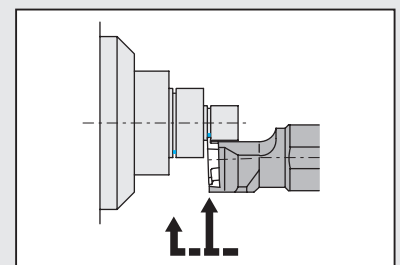
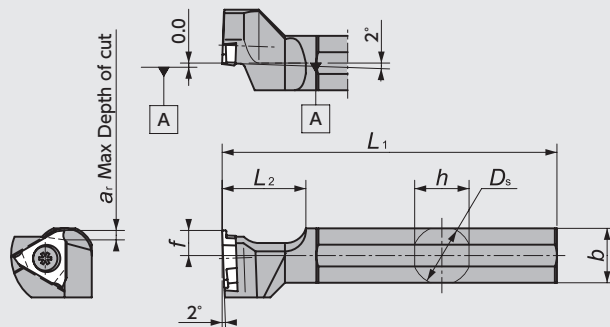


● Left-Hand style shown
☆ Takes Right-hand insert

Figure-4

DS-GTT





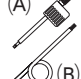
(DS Holder)



● Left-Hand style shown
☆ Takes Right-hand insert

Figure-5

GTT Series - Toolholders

Figure	Code No.		Item Number	Stock		Dimensions (mm)										Groove Width Range (mm) w	Gage insert 	Spare Parts			
	R	L		R	L	h	b	L ₁	h ₁	f	L ₂	a _r	h ₂	D _s	Clamp Screw			Wrench			
1	5107305	5107313	GTT^R/L08F00	●	●		8											 Right : LR-S-4*10PW (A) Left : LR-S-4*5.8 (B) LR-S-4*10PW (A) Right : LR-S-4*10PW (A) Left : LR-S-4*5.8 (B) CLR-15S (A) LR-S-4*10PW (A) 1.45 3.00 2.50 3.00 GTMH32 GTMX32 H22~25 TBMH32 G61	  (A) (B)	 (A)	
	5608682		0810F00	●		8	10		8												
	5107206	5107214	08K00	●	●		8														
	5608690		0810K00	●			10														
	5107321	5107339	10F00	●	●	10	10	80													
	5107222	5107230	10K00	●	●			120				1.6									
	5107347	5107354	12F00	●	●	12	12	80													
	5107248	5107255	12K00	●	●			120													
	5459896	5551387	16H00	●	●	16	16	100													
	5173687	5173679	16K00	●	●			120													
	5530852	5780317	20K00	●	●	20	20	125	20												
	5780309	5780291	25M00	●	●	25	25	150	25	0	15										
	5107362	5107370	10F15	●	●	10	10	80													
	5107263	5107271	10K15	●	●			120													
	5537220	5537147	12F15	●	●	12	12	80													
	5537246	5537162	12K15	●	●			120													
	5537261	5537188	16H15	●	●	16	16	100													
	5537287	5537204	16K15	●	●			120				2.7									
	5107388	5107396	10F25	●	●	10	10	80													
	5107289	5107297	10K25	●	●			120													
5537238	5537154	12F25	●	●	12	12	80														
5537253	5537170	12K25	●	●			120														
5537279	5537196	16H25	●	●	16	16	100														
5537295	5537212	16K25	●	●			120														
2	5035381		GTT^R/L12H00-OH2	●		12	12	100	12												
	5043997		16X00-OH2	●		16	16	120	16	0	70	1.6	1								
3	5921705		GTT^R/L1012H00-OH	●		10			10												
	5890157		GTTR12H00-OH	●		12			100	12	0	70	1.6	1							
	5921713		GTT^R/L16H00-OH	●		16	16		16					0							
4	5659248		CH-GTT^R/L10H00	●	●	10	10	100	10	15				3							
	5659255		12H00	●	●	12	12	100	12	17		12	1.5	1							
	5960836		16H00	●	●	16	16	100	16	21				0							
5	5348560		DS-GTT^R/L14F	●		13	13	80								14.000					
	5348081		15H	●		15	15	100								15.875					
	5341532		16X ※2	●				95								16.000					
	5278288		19	●		18	18				6					19.050	0.30				
	5278304		20	●		19	19	120				20	1.6			20.000	3.00				
	5324041		22 ※2	●		21	21									22.000					
	5483433		25MET	●		24	24	150				10				25.000					
	5317144		25	●		24	24	120				10				25.400					
5937693		32	●		30	30	150				10				32.000						

※1 Would be changed by insert

※2 Compatible with 16mm / 22mm round shank DS Series holders DS-Sleeve → **G103**

New Products
Tool Materials / Selection Guide
Micrograin Carbide, BIDEIMS, PCD
PVD Coated Carbide, CBN and Ceramics
Insert Item List
General Turning Toolholders
Unique Swiss Tooling
Grooving / Side Turning
Threading
Shaper
ID Tooling
Application Introduction
Endmills
Rotating Tools
Information
Index

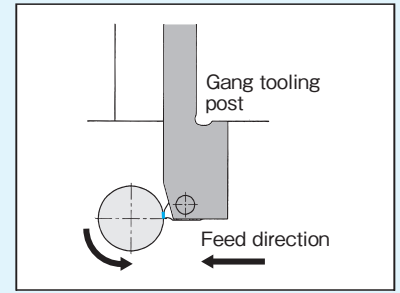
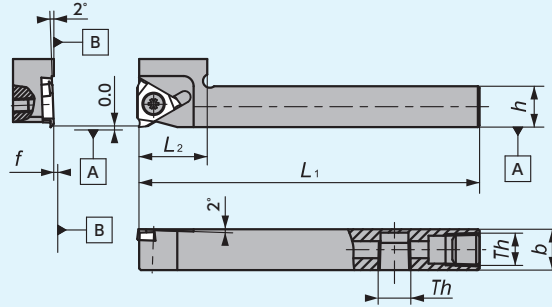
Grooving / Side Turning

GTT Series

Y-GTT-OH

(Y-axis/Coolant through)
Screw accessible from both sides

Th(Screw parts A)
1212/1616 size:SPR1/8(Rc1/8)

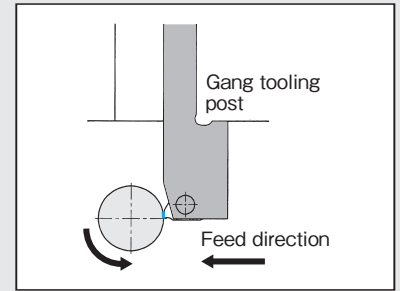
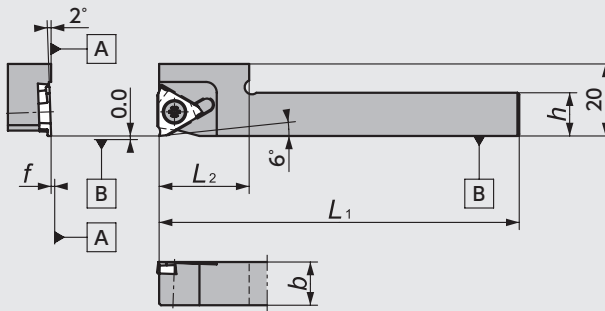


● Right-Hand style shown
☆ Takes Right-hand insert

Figure-1

Y-GTT




(Y-axis)
Screw accessible from both sides



● Right-Hand style shown
☆ Takes Right-hand insert

Figure-2

GTT Series - Toolholders

Figure	Code No.		Item Number	Stock		Dimensions (mm)								Groove Width Range (mm) w	Gage insert 	Spare Parts		
	R	L		R	L	h	b	L ₁	h ₁	f	L ₂	a _r	h ₂			Clamp Screw 	Wrench 	
1	5911466		Y-GTT [®] ¼12H00S-OH	●		12	12						20		GTMH32 GTMX32 H22~25	LR-S-4* 10PW	CLR-15S	
	5911474		Y-GTT [®] ¼16H00-OH	●		16	16	100	—	0			25					0.30 } 3.00 ※1
2	5371604		Y-GTT [®] ¼10S	●			10	10					20		TBMH32 G61	LR-S-4* 10PW	CLR-15S	
	5950415		10MS	●									22					0.30 } 3.00 ※1
	5371620		12S	●				120	—	0			20					
	5950472		12MS	●		12	12						22					

NGT Series

NGTN

Clamp-on
No-Offset

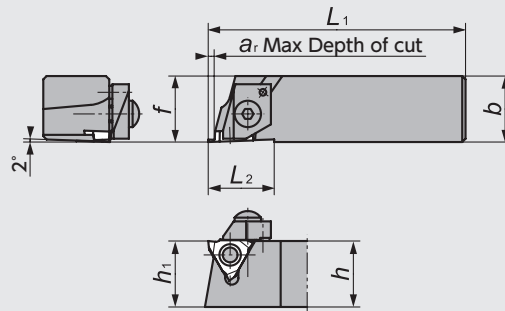
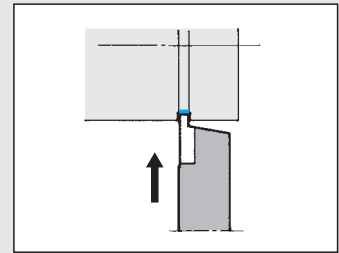


Figure-1



● Right-Hand style shown

NGTB

Clamp-on
With Offset

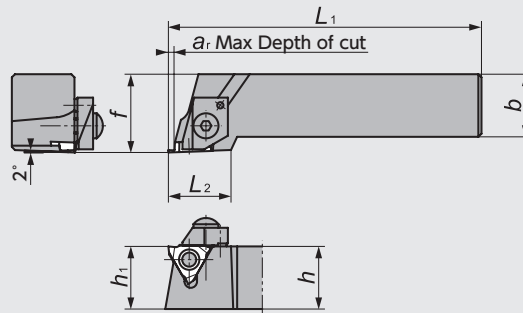
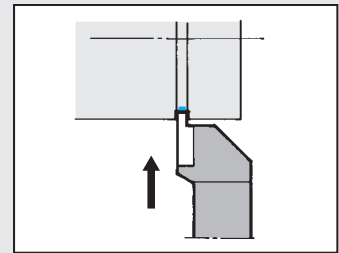


Figure-2



● Right-Hand style shown

NGTA

Clamp-on

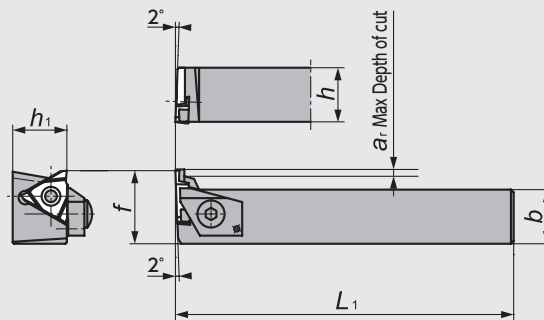
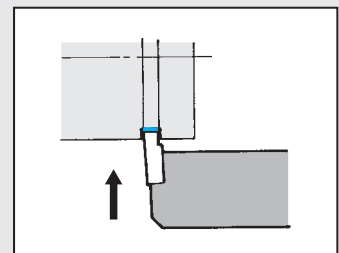

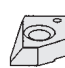





Figure-3



● Left-Hand style shown
☆ Takes Right-hand insert

NGT Series - Toolholders

Figure	Code No.		Item Number	Stock		Dimensions (mm)							Groove Width Range (mm) w	Gage insert 	Spare Parts				
	R	L		R	L	h	b	L1	h1	f	L2	ar			h2	Clamp 	Clamp Bolt 	Spring 	Wrench 
1	5525928	5525738	NGTN [®] L161632-00	●	●								1.6	0.30~3.00 ※1	GTMH32 GTMX32 H22~25	CPR/L5S	AOS-5*20	ASG-5	LW-2.5
	5534110		161632-15	●		16	16	78	16	16	20	—	2.7	1.45~3.00					
	5534128		161632-25	●									—	2.50~3.00					
2	5542295		NGTB [®] L202032-00S	●									1.6	0.30~3.00 ※1	GTMH32 GTMX32 H22~25	CPR/L5	AOS-5*25	ASG-5	LW-2.5
	5537717		202032-15S	●		20	20	125	20	25			2.7	1.45~3.00					
	5553243		202032-25S	●									—	2.50~3.00					
	5549563		252532-00S	●									1.6	0.30~3.00 ※1					
	5545801		252532-15S	●		25	25	150	25	30			2.7	1.45~3.00					
	5553417		252532-25S	●									—	2.50~3.00					
3	5536370		NGTA [®] L202032-00S		●								1.6	0.30~3.00 ※1	GTMH32 GTMX32 H22~25	CPR/L5※	AOS-5*25	ASG-5	LW-2.5
	5536388		202032-15S		●	20	20	125	20	25			2.7	1.45~3.00					

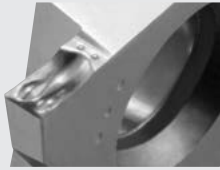
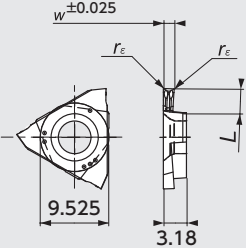
※1 Would be changed by insert

※Left-Hand clamp with should be used with right-hand holder
Right-Hand clamp with should be used with left-hand holder

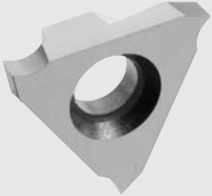
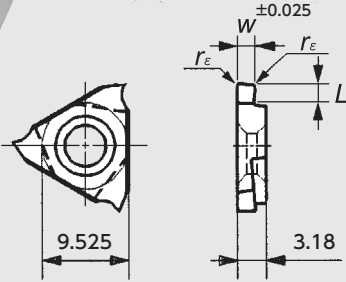
Grooving / Side Turning

GTT/NGT Series - Inserts

● GTMH32-GX

Shape	Item Number	Dimensions (mm)			Max Depth of cut		PVD Coated Carbide							
		w	L	r _ε	Grooving	Side Turning	ST4		TM4		DM4			
							Stock	R	Stock	R	Stock	R		
  ● Right-Hand style shown	GTMH32033RGX	0.33	0.6	0.05	0.25	—	5039136	●	5019468	●	5019450	●		
	043RGX	0.43	1.2				5039144	●	5019443	●	5019435	●		
	050RGX	0.50					5039151	●	5019419	●	5019401	●		
	053RGX	0.53					5039169	●	5019393	●	5019336	●		
	075RGX	0.75					2.0	1.6	0.75	5039177	●	5910765	●	5910898
	095RGX	0.95	5039185							●	5922224	●	5922216	●
	100RGX	1.00	1.50							5039193	●	5910815	●	5910906
	100RGX01						0.1	5039201	●	5910823	●	5910963	●	
	150RGX	1.50	3.0				2.7	2.00	5039219	●	5910740	●	5910914	●
	150RGX01								0.1	5039227	●	5910849	●	5910971
	150RGX02			0.2	5039235	●			5910864	●	5910997	●		
	200RGX	2.00	3.0	2.7	2.00	5039243	●	5910732	●	5910930	●			
	200RGX01					0.1	5039250	●	5910856	●	5910989	●		
	200RGX02					0.2	5039268	●	5910872	●	5911003	●		
	300RGX					0.05	5039276	●	5910724	●	5910948	●		
	300RGX02	3.00	0.2	5039284	●	5910880	●	5911011	●					

● GTMH32-E

Shape	Item Number	Dimensions (mm)				PVD Coated Carbide				
		w	L	r _ε	Max Depth of cut	ZM3				
						R	Stock	L	Stock	
  ● Right-Hand style shown	GTMH32033R₁E	0.33	0.6	0.03	0.3	5108766	●	5109046	●	
	043R₁E	0.43	1.2			5108758	●	5109038	●	
	053R₁E	0.53				5108774	●	5109020	●	
	075R₁E	0.75				5108790	●	5109012	●	
	077R₁E	0.77				5920574	●	5965264	●	
	095R₁E	0.95	5108808			●	5109004	●		
	097R₁E	0.97	5919980			●	5965272	●		
	100R₁E	1.00	2.0			1.6	5108816	●	5108998	●
	103R₁E	1.03					5965298	●	5965306	●
	120R₁E	1.20					5108824	●	5108980	●
	125R₁E	1.25	3.0	2.7	5373360	●				
	140R₁E	1.40			5108782	●	5108907	●		
	145RE	1.45			5231667	●				
	150R₁E	1.50			5108899	●	5108972	●		
	175RE	1.75			5919998	●				
	180R₁E	1.80			5108881	●	5108964	●		
	200R₁E	2.00			5108873	●	5108956	●		
	225R₁E	2.25			5108865	●	5108949	●		
	250R₁E	2.50			5108857	●	5108931	●		
	275R₁E	2.75			5108840	●	5108923	●		
300R₁E	3.00	5108832	●	5108915	●					
100R₁E01	1.00	2.0	0.1	1.6	5109079	●	5109087	●		
120R₁E01	1.20				5109277	●	5109251	●		
150R₁E01	1.50				3.0	2.7	5109061	●	5109269	●
200R₁E01	2.00	5109053	●	5109244			●			

● GTMH32 (Full radius style)

Shape	Item Number	Dimensions (mm)				PVD Coated Carbide			
		w	L	r _ε	Max Depth of cut	ZM3			
						R	Stock	L	Stock
<p>• Right-Hand style shown</p>	GTMH32050^R/_LE025	0.50	1.2	0.25	0.9	5446125	●		
	070^R/_LE035	0.70	2.0	0.35	1.6	5446141	●		
	100^R/_LE05	1.00		0.50		5160759	●		
	150^R/_LE075	1.50	0.75	5501200		●			
	200^R/_LE10	2.00	3.0	1.00	2.7	5160775	●		
	250^R/_LE125	2.50		1.25		5921671	●		
	300^R/_LE15	3.00		1.50		5436720	●		

● GTMH • X32 (Flat top chipbreaker)

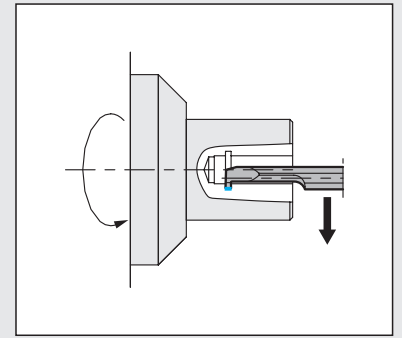
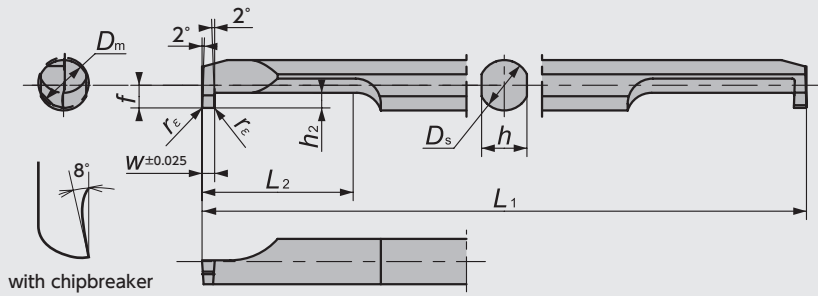
Shape	Item Number	Dimensions (mm)				PVD Coated Carbide				Carbide			
		w	L	r _ε	Max Depth of cut	ZM3				KM1			
						R	Stock	L	Stock	R	Stock	L	Stock
Short <p>• Right-Hand style shown</p>	GTMX32100^R/_LSS	1.00	2.0	0.05	1.6	5523345	●						
	150^R/_LSS	1.50	3.0			2.7	5523337	●					
	200^R/_LSS	2.00					5523329	●					
	Mirror finish GTMH32100^R/_LSSH	1.00	2.0	0.05	1.6				5599394	●			
	150^R/_LSSH	1.50	3.0			2.7				5599386	●		
	200^R/_LSSH	2.00								5599378	●		
Long <p>• Right-Hand style shown</p>	GTMX32100^R/_LLS	1.00	2.0	0.05	1.6	5523295	●						
	150^R/_LLS	1.50	3.0			2.7	5523303	●					
	200^R/_LLS	2.00							5523311	●			

Grooving / Side Turning

SBG Series (ID Grooving)

SBG

Minimum Bore Diameter 3.0mm



Type	Item Number	Min Bore Dia. (mm) D_m	Dimensions (mm)								PVD Coated Carbide	
			w	D_s	L_1	L_2	f	h	h_2	r_ϵ	ZM3	Stock
Short type	SBG030050RB-S	3.0	0.50	3.0	50	4.5	1.3	2.7	0.8	0.05	5815782	●
	030075RB-S		0.75								5815808	●
	030100RB-S		1.00								5815816	●
	030150RB-S		1.50								5815824	●
	SBG040050RB-S	4.0	0.50	4.0	60	6	1.8	3.6	1.0	0.05	5815832	●
	040075RB-S		0.75								5815840	●
	040100RB-S		1.00								5815857	●
	040150RB-S		1.50								5815865	●
	SBG050050RB-S	5.0	0.50	5.0	70	7.5	2.3	4.5	1.2	0.05	5815881	●
	050100RB-S		1.00								5815899	●
	050150RB-S		1.50								5815907	●
	050200RB-S		2.00								5815915	●
	SBG060100RB-S	6.0	1.00	6.0	80	7.5	2.8	5.4	1.8	0.05	5815931	●
	060150RB-S		1.50								5815949	●
	060200RB-S		2.00								5815956	●
	SBG080100RB-S	8.0	1.00	8.0	80	8.5	3.8	7.3	2.2	0.05	5815964	●
080150RB-S	1.50		5815980								●	
080200RB-S	2.00		5815998								●	
Regular type	SBG030050RB	3.0	0.50	3.0	50	9	1.3	2.7	0.8	0.05	5652821	●
	030075RB		0.75								5652839	●
	030100RB		1.00								5652847	●
	SBG040050RB	4.0	0.50	4.0	60	12	1.8	3.6	1.0	0.05	5652797	●
	040075RB		0.75								5652805	●
	040100RB		1.00								5652813	●
	SBG050050RB	5.0	0.50	5.0	70	20	2.3	4.5	1.2	0.05	5652854	●
	050100RB		1.00								5652862	●
	050150RB		1.50								5652870	●
	SBG060100RB	6.0	1.00	6.0	80	20	2.8	5.4	1.8	0.05	5704846	●
	060150RB		1.50								5704838	●
	060200RB		2.00								5704820	●
	SBG080100RB	8.0	1.00	8.0	80	20	3.8	7.3	2.2	0.05	5704895	●
	080150RB		1.50								5704903	●
	080200RB		2.00								5704911	●

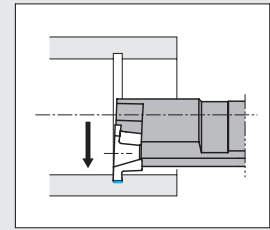
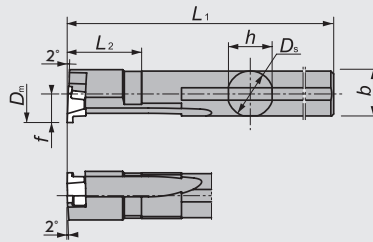
Sleeves ⇒K8

※Caution: Due to the tolerance, it might not fit into the holder which is made by other company.

BG Series (ID Grooving)

S-BG (Mogul Bar)

Minimum Bore Diameter 10.0mm

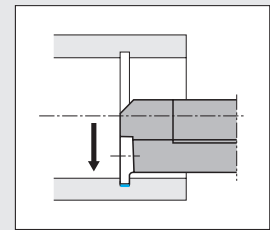
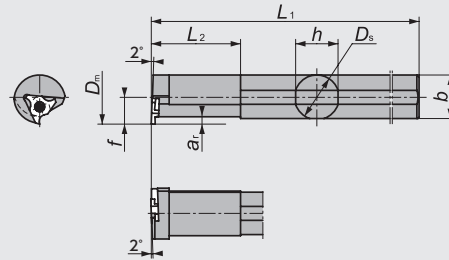


● Right-Hand style shown
☆ Takes Left-hand insert

Figure-1

BG

Minimum Bore Diameter 10.0mm



● Right-Hand style shown
☆ Takes Left-hand insert

Figure-2

BG Series - Toolholders

Figure	Code No.		Item Number	Stock		Min Bore Dia. (mm) D_m	Max Depth of cut a_r	Dimensions (mm)						Groove Width Range (mm) w	Gage insert	Spare Parts	
	R	L		R	L			D_s	h	b	L_1	f	L_2			Clamp Screw	Wrench
1	5854500		S08H-BG^{R/L}10D10	●		10.0	1.0	8	7.7	7.85	120	5.0	20	0.50 ~ 2.00	GTG10	LR-S-2.5*6.8	CLR-15S (A)
	5854518		S10K-BG^{R/L}10D12	●		12.0	1.0	10	9.6	9.8	120	6.0	25				
2	5711585		BG^{R/L}08-00S	●		10.0	1.0	8	7.0	7.5	125	5.0	20	0.50 ~ 2.00	GTG10	LR-S-2.5*6.8	CLR-15S (A)
	5711593		08-10S	●		10.0	1.0	8	7.0	7.5	125	5.0	20	1.50 ~ 2.00			
	5711601		10-00S	●		12.0	1.0	10	9.0	9.5	150	6.0	25	0.50 ~ 2.00			
	5711619		10-10S	●		12.0	1.0	10	9.0	9.5	150	6.0	25	1.50 ~ 2.00			
	5711627		12-00S	●		14.0	2.0	12	11.0	11.5	180	7.0	30	1.00 ~ 2.00	GTG14	LR-S-3*7.8	RLR-20S (B)
	5711635		12-12S	●		14.0	2.0	12	11.0	11.5	180	7.0	30	1.75 ~ 2.00			
	5711643		14-00S	●		16.0	2.0	14	13.0	13.5	180	8.0	35	1.00 ~ 2.00			
	5711650		14-12S	●		16.0	2.0	14	13.0	13.5	180	8.0	35	1.75 ~ 2.00			
	5536362		16	●		20.0	3.0	16	15.0	15.5	200	10.0	40	1.50 ~ 2.00	GTG20	LR-S-3*7.8	RLR-20S (B)
	5435433		20	●		25.0	3.0	20	19.0	19.5	200	12.0	40				

BG Series - Inserts

Shape	Item Number	Dimensions (mm)						PVD Coated Carbide					
		w	Max Depth of cut	L	r_e	d_1	TM4	Stock	ZM3	Stock	QM3	Stock	
<p>● Left-Hand style shown</p>	GTG10050FL005	0.50	1.0	1.2	0.05	5.56	5853130	●					
	10075FL005	0.75					5853114	●					
	10100FL005	1.00					5853098	●					
	10150FL005	1.50					5853080	●					
	10200FL005	2.00					5853072	●					
	GTG10050FL00	0.50					1.0	1.2	0.05	5.56			5514088
	10065FL00	0.65			5514104	●							
	10075FL00	0.75			5376835	●							
	10100FL00	1.00			5376843	●							
	10150FL00	1.50			5376850	●							
10200FL01	2.00			5357884	●								
GTG14100FL00	1.00	2.0	2.2	0.05	7.94			5376868	●				
14150FL00	1.50			0.05			5376876	●					
14200FL01	2.00			0.1			5376884	●					
GTG20150FL	1.50	3.0	3.2	0.2	9.525					5396239	●		
20200FL	2.00									5376991	●		

Tool List

STICK DUO - Sleeves for ID machining -

NBH Shank diameter ϕ 15.875 ~ 19.05

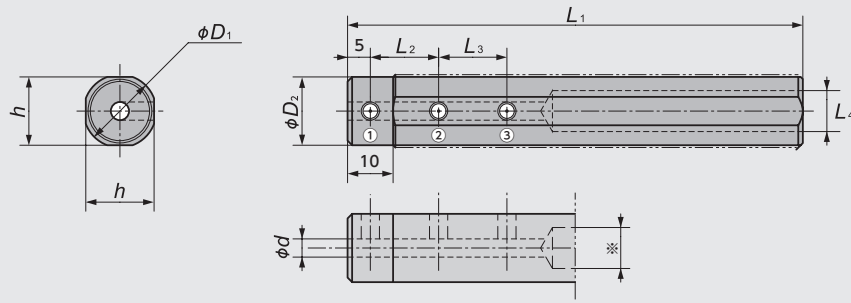


Figure-1

NBH Shank diameter ϕ 20.0 ~ 32.0

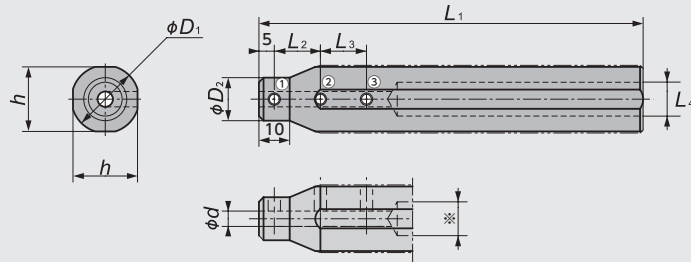


Figure-2

Figure	Code No.	Item Number	Stock	Dimensions (mm)								Clamp Screw			Wrench
				ϕd	ϕD_1	ϕD_2	h	L_1	L_2	L_3	L_4	①	②	③	
1	5631403	NBH02015H	●	2.0	15.875	15	15	100	10	—	9.0	SS0406F	SS0406F	—	LW-2
	5702915	02515H	●	2.5											
	5631411	03015H	●	3.0											
	5586110	03515H	●	3.5					15	15					
	5586128	04015H	●	4.0											
	5585997	04515H	●	4.5											
	5585989	05015H	●	5.0					20	20					
	5585971	06015H	●	6.0											
	5585963	08015H	●	8.0					SS0403F	SS0403F	SS0403F				
	5631429	NBH02016H	●	2.0	16	15	15	100	10	—	9.0	SS0406F	SS0406F	—	
	5702899	02516H	●	2.5											
	5631437	03016H	●	3.0											
	5586102	03516H	●	3.5					15	15					
	5586094	04016H	●	4.0											
	5586086	04516H	●	4.5											
5586078	05016H	●	5.0	20					20						
5586060	06016H	●	6.0												
5774195	07016H	●	7.0	SS0403F					SS0403F	SS0403F					
5586052	08016H	●	8.0												
5631445	NBH02019K	●	2.0	19.05	18	18	125	10	—	11.0	SS0408F	SS0408F	—		
5702907	02519K	●	2.5												
5631452	03019K	●	3.0												
5586045	03519K	●	3.5					15	15						
5586037	04019K	●	4.0												
5586029	04519K	●	4.5												
5586011	05019K	●	5.0					20	20						
5586003	06019K	●	6.0												
5774203	07019K	●	7.0					SS0404F	SS0404F	SS0404F					
5586227	08019K	●	8.0												
5586219	10019K	●	10.0					SS0403F							