

## Toolholders for CC.. Inserts

### SCAC-N

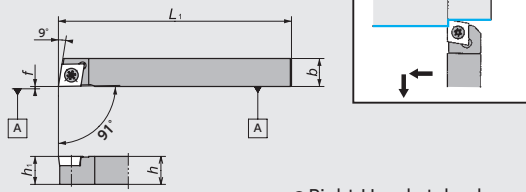


Figure-1

● Right-Hand style shown

### SCLC-N

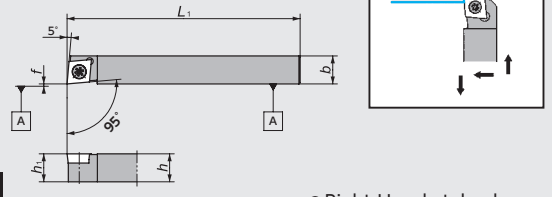


Figure-2

● Right-Hand style shown

### SCLC-N-F

(Shifted)

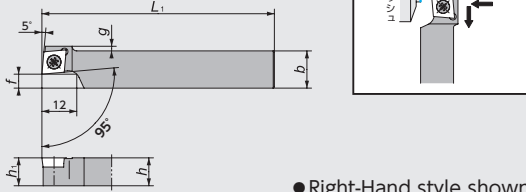


Figure-3

● Right-Hand style shown

### SCLC

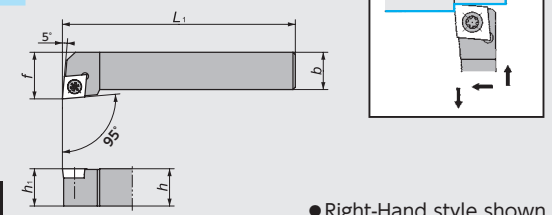


Figure-4

● Right-Hand style shown

### SCLC-OH2

(Coolant through)

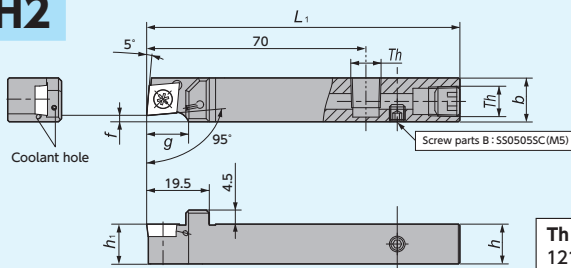


Figure-5

Th (Screw parts A)  
1214/1616 size : SPR1/8(Rc1/8)

● Right-Hand style shown

### SCLC-OH

(Coolant through)

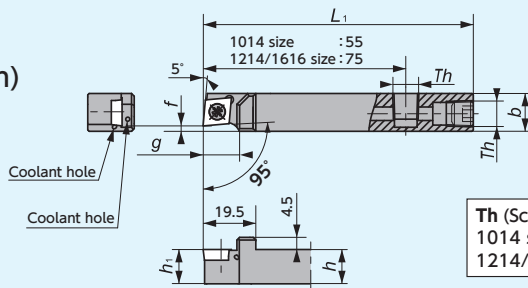


Figure-6

Th (Screw parts A)  
1014 size : SS0605SC (M6x1.0)  
1214/1616 size : SPR1/8(Rc1/8)

● Right-Hand style shown

### DS-SCL

(DS Holder)

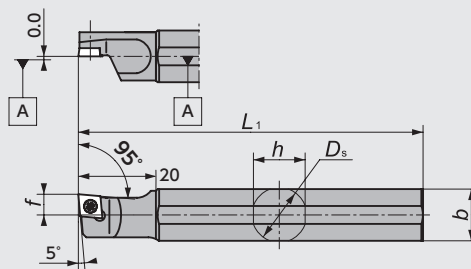


Figure-7

● Left-Hand style shown

☆ Takes Right-hand or Neutral insert

### DS-SCLL-ACH

(DS-holder with Adjustable centerline height)

(Parts)		
Shank	Wedge	Screw for Wedge
φ16	ACH-W18 (5805601)	WS060415-003 (5795539)
φ19.05		
φ20		
φ22	ACH-W24 (5805619)	WS060419-004 (5799226)
φ25		
φ25.4		

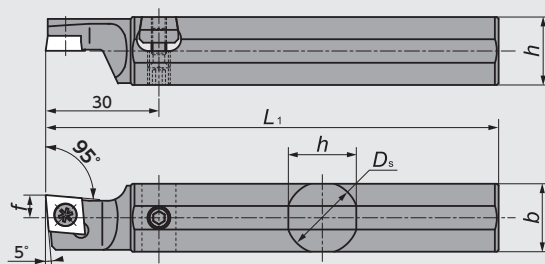
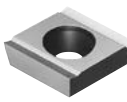

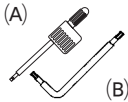
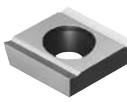



Figure-8

● Left-Hand style shown

☆ Takes Right-hand or Neutral insert

## CC.. Series - Toolholders

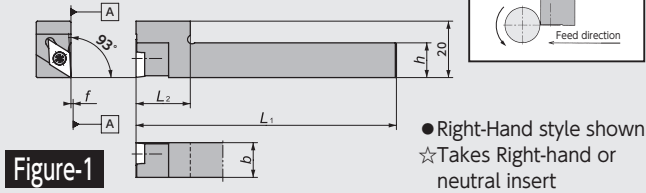
Figure	Code No.		Item Number	Stock		Dimensions (mm)						Gage insert 	Spare Parts		
	R	L		R	L	$D_s$	$h$	$b$	$L_1$	$h_1$	$f$		$g$	Clamp Screw 	Wrench 
															
1	5137013	5137922	SCAC <sup>R/L</sup> 0808X06N	●	●	-	8	8	120	8	0.0	-	CC0602 E28-39~40	LRIS-2.5*7	CLR-15S (A)
	5119060	5137914	1010X06N	●	●		10	10	120	10					
	5459847		1212GX09N	●			12	12	85	12					
	5137088	5137906	1212X09N	●	●		12	12	120	12					
2	5137021	5137898	SCLC <sup>R/L</sup> 0808X06N	●	●	-	8	8	120	8	0.0	-	CC0602 E28-39~40	LRIS-2.5*7	CLR-15S (A)
	5122171	5137880	1010X06N	●	●		10	10	120	10					
	5873872		1010H09N	●			10	10	100	10					
	5152889	5152897	1010X09N	●	●		10	10	120	10					
	5459839	5459821	1212GX09N	●	●		12	12	85	12					
	5137039	5137872	1212X09N	●	●		12	12	120	12					
	5191200	5191218	1616X09N	●	●		16	16	120	16					
3	5700240	5700257	SCLC <sup>R/L</sup> 1015X09N-F05	●		-	10	15	120	10	5	2	CC09T3 E28-39~40	LRIS-4*10	LLR-25S (B)
	5700265	5700273	1020X09N-F10	●			10	20	120	10	10	2			
	5700364	5700372	1218X09N-F06	●			12	18	120	12	6	0			
	5700380	5700398	1224X09N-F12	●			12	24	120	12	12	0			
4	5744719	5884911	SCLC <sup>R/L</sup> 20-X09	●	●	-	20	20	120	20	24.0	-	CC09T3 E28-39~40	LRIS-4*10	LLR-25S (B)
5	5037957		SCLC <sup>R/L</sup> 1214H09N-F02OH2	●		-	12	14	100	12	2	12	CC09T3 E28-39~40	LRIS-4*10	LLR-25S (B)
	5044011		1616X09N-F02OH2	●			16	16	120	16	2	17.7			
6	5905740		SCLC <sup>R/L</sup> 1014F09N-F02OH	●		-	10	14	80	10	2	12	CC09T3 E28-39~40	LRIS-4*10	LLR-25S (B)
	5905732		SCLC <sup>R/L</sup> 1214H09N-F02OH	●			12	14	100	12	2	12			
	5905658		SCLC <sup>R/L</sup> 1616H09N-F02OH	●			16	16	100	16	2	17.7			
7		5602636	DS-SCL <sup>R/L</sup> 14F-06	●		14.000	13	13	80	-	6.0	-	CC0602 E28-39~40	LRIS-2.5*7	CLR-15S (A)
		5486923	15H-06	●		15.875	15	15	100						
		5601703	16F-06*	●		16.000			80						
		5338876	19-06	●		19.050	18	18	120						
		5520630	20X-06	●		20.000	19	19	95						
		5388608	20-06	●											
		5484936	22-06*	●		22.000	21	21	120						
		5520689	25-06MET	●		25.000	24	24							
		5486691	25-06	●		25.400			150						
		5601729	14F-09	●		14.000	13	13	80						
		5486931	15H-09	●		15.875	15	15	100						
		5601711	16F-09*	●		16.000			80						
		5563168	19GX-09	●		19.050	18	18	85						
		5338884	19-09	●		19.050	18	18	120						
		5520655	20X-09	●		20.000	19	19	95						
		5374699	20-09	●											
		5401096	22-09*	●		22.000	21	21	120						
		5520671	25-09MET	●		25.000	24	24							
		5486709	25-09	●		25.400			150						
	5939327	32-09	●		32.000	30	30	150							
8		5833694	DS-SCL <sup>R/L</sup> 16F-09-ACH*	●		16.00	15.5	15.5	80	-	6.0	-	CC09T3 E28-39~40	LRIS-4*8	LLR-25S -20*65 (B)
		5833702	19-09-ACH	●		19.05	18.0	18.0							
		5833710	20-09-ACH	●		20.00	19.0	19.0	120						
		5833728	22-09-ACH*	●		22.00	21.0	21.0							
		5934013	25-09MET-ACH	●		25.00	24.0	24.0	150						
		5833736	25-09-ACH	●		25.40	24.0	24.0	150						

\*Compatible with 16mm / 22mm round shank DS Series holders. DS-Sleeve → G103

## Toolholders for DC.. Inserts

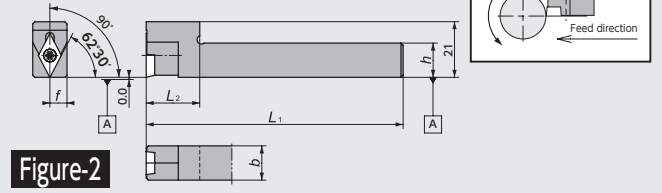
### Y-SDJC

(Y-axis)



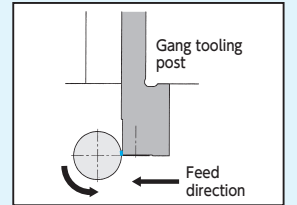
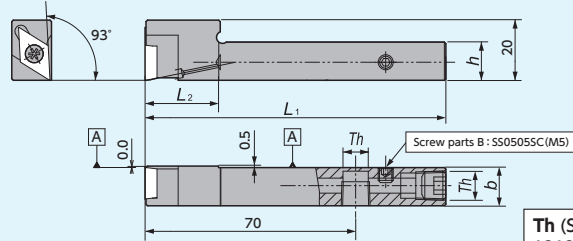
### Y-SDNC

(Y-axis)



### Y-SDJC-OH2

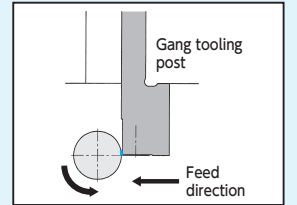
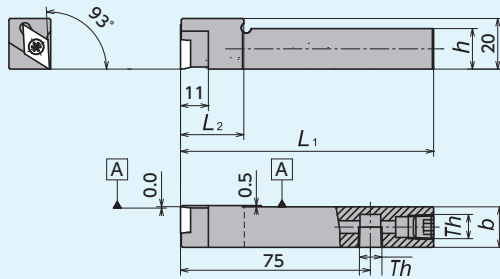
(Y-axis/  
Coolant through)



● Right-Hand style shown  
☆ Takes Right-hand or neutral insert

### Y-SDJC-OH

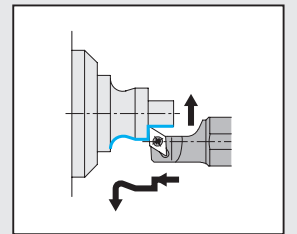
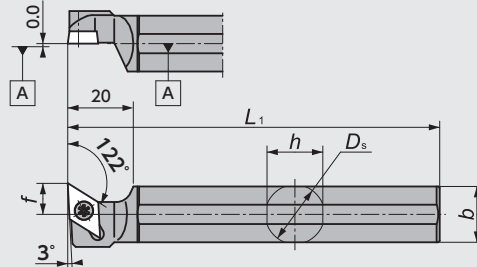
(Y-axis/  
Coolant through)



● Right-Hand style shown  
☆ Takes Right-hand or neutral insert

### DS-SDU

(DS Holder)

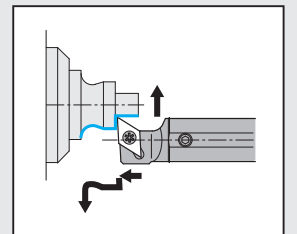
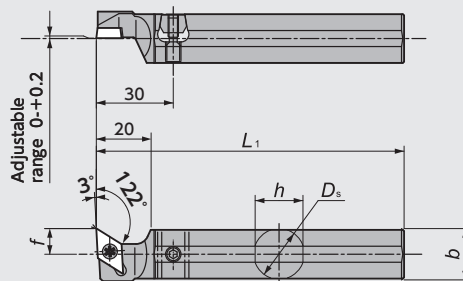


● Left-Hand style shown  
☆ Takes Right-hand or neutral insert

### DS-SDU-ACH

(DS-holder with Adjustable centerline height)

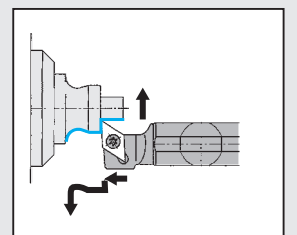
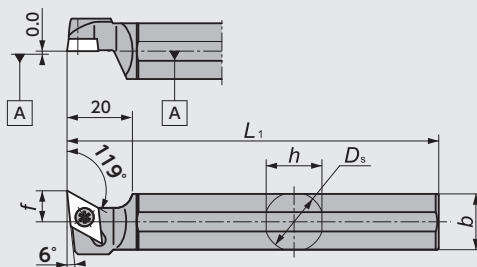
(Parts)		
Shank	Wedge	Screw for Wedge
φ16	ACH-W18 (5805601)	WS060415-003 (5795539)
φ19.05		
φ20		
φ22	ACH-W24 (5805619)	WS060419-004 (5799226)
φ25		
φ25.4		



● Left-Hand style shown  
☆ Takes Right-hand or neutral insert

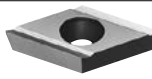


### DS-SDX

(DS Holder)



● Left-Hand style shown  
☆ Takes Right-hand or neutral insert

## DC.. Series - Toolholders

Figure	Code No.		Item Number	Stock	Dimensions (mm)						Gage insert 	Spare Parts		
	R	N			L	D <sub>s</sub>	h	b	L <sub>1</sub>	f		L <sub>2</sub>	Clamp Screw 	Wrench (A)  (B)
1	5371646		Y-SDJCR <sub>L</sub> 10-07S	●		10.0	10					DC0702 E29•42~43 TFD07 E44	LRIS-2.5*7	CLR-15S (A)
	5371661		12-07S	●		12.0	12							
	5926001		10-11S	●		10.0						DC11T3 E29•42~43 TFD11 E44	LRIS-4*10	LLR-25S -20*65 (B)
	5950431		10-11MS	●	—	10.0		120	0.0	22				
	5600671		12-11S	●		12.0	16			20				
	5950423		12-11MS	●		12.0				22				
	5890025		16-11S	●		16.0				20				
2	5479191		Y-SDNCRN12-11S	●		12.0	12			120	6.0	DC11T3 E29•42~43	LRIS-4*10	LLR-25S-20*65 (B)
	5485875		N16-11S	●		16.0	16				8.0			
3	5035209		Y-SDJCR <sub>L</sub> 1212H11S-OH2	●		—	12	12	100	—	20	DC11T3 E29•42~43 TFD11 E44	LRIS-4*10	LLR-25S-20*65 (B)
4	5910575		Y-SDJCR <sub>L</sub> 1212H11S-OH	●		—	12	12	100	—	20	DC11T3 E29•42~43 TFD11 E44	LRIS-4*10	LLR-25S-20*65 (B)
	5910583		1616H11-OH	●		—	16	16			25			
5	5348545		DS-SDUR <sub>L</sub> 14F-07	●	14.000	13.0	13	80			6.0	DC0702 E29•42~43 TFD07 E44	LRIS-2.5*7	CLR-15S (A)
	5348107		15H-07	●	15.875			100						
	5520598		16F-07*	●	16.000	15.0	15	80						
	5341516		16X-07*	●				95						
	5278247		19-07	●	19.050	18.0	18	120						
	5520606		20X-07	●	20.000	19.0	19	95						
	5278239		20-07	●				120						
	5330758		22-07*	●	22.000	21.0	21							
	5601745		14F-11	●	14.000	13.0	13	80		10.0	DC11T3 E29•42~43 TFD11 E44	LRIS-4*10	LLR-25S -20*65 (B)	
	5601737		16F-11*	●	16.000	15.0	15							
	5278262		19-11	●	19.050	18.0	18	120						
	5572730		19-11SPL	●				160	11.0					
	5520614		20X-11	●	20.000	19.0	19	95						
	5278254		20-11	●				120						
	5324025		22-11*	●	22.000	21.0	21							
	5638606		23-11-007	●	23.000	22.0	22	70						
	5483417		25-11MET	●	25.000			120						
5317136		25-11	●	25.400	24.0	24								
5713581		25-11SPL	●	25.400			150		12.5					
6	5805635		DS-SDUR <sub>L</sub> 16F-11-ACH*	●	16.000	15.5	15	80			10.0	DC11T3 E29•42~43 TFD11 E44	LRIS-4*10	LLR-25S -20*65 (B)
	5805627		19-11-ACH	●	19.050	18.0	18							
	5799614		20-11-ACH	●	20.000	19.0	19	120						
	5799622		22-11-ACH*	●	22.000	21.0	21							
	5934021		25-11MET-ACH	●	25.000	24.0	24							
	5799648		25-11-ACH	●	25.400	24.0	24	150						
7	5462429		DS-SDXR <sub>L</sub> 19-11	●	19.050	18.0	18	120			10.0	DC11T3 E29•42~43	LRIS-4*10	LLR-25S (B)
	5520622		20X-11	●	20.000	19.0	19	95						
	5462437		20-11	●				120						
	5520697		25-11MET	●	25.000	24.0	24							
	5939335		32-11	●	32.000	30.0	30	150						

\*Compatible with 16mm / 22mm round shank DS Series holders. DS-Sleeve → G103

New Products  
Tool Materials / Selection Guide  
BIDEMCS, PCD  
Micrograin Carbide, PVD Coated Carbide  
CBN and Ceramics  
Insert Item List  
General Turning Toolholders  
Unique Swiss Tooling  
Grooving / Side Turning  
Threading  
Shaper  
ID Tooling  
Application Introduction  
Endmills  
Rotating Tools  
Information  
Index

# Front Turning

## Toolholders for VP.. Inserts

### SVXP-N

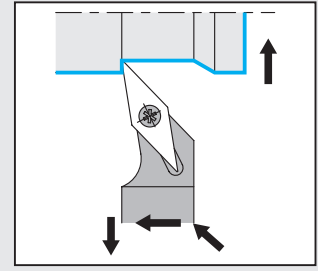
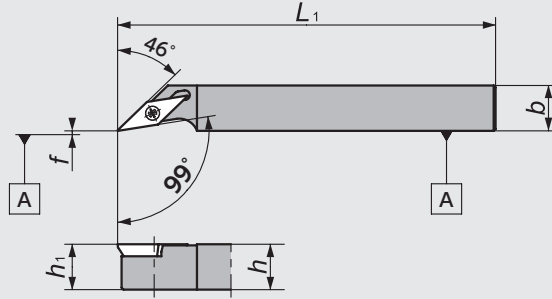


Figure-1

● Right-Hand style shown

### SVQP-N

<Dimension of recessed groove>

R	ap	φD (Min)
0.05	0.2	2.5
	0.5	4.5
0.08	0.2	2.5
	0.5	4.5
0.18	0.2	3.5
	0.5	5.5
0.2	0.2	3.5
	0.5	5.5

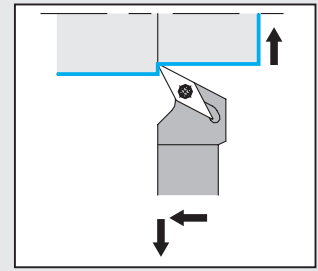
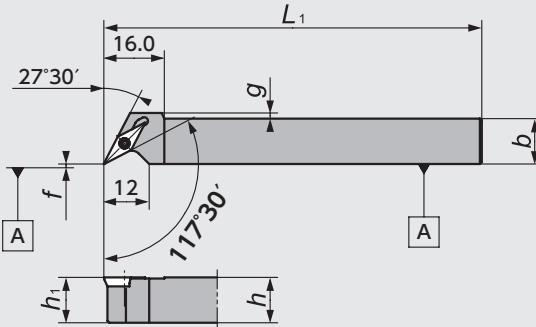
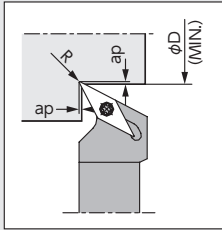


Figure-2

● Right-Hand style shown

### CH-SVUP

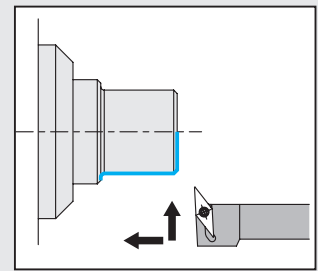
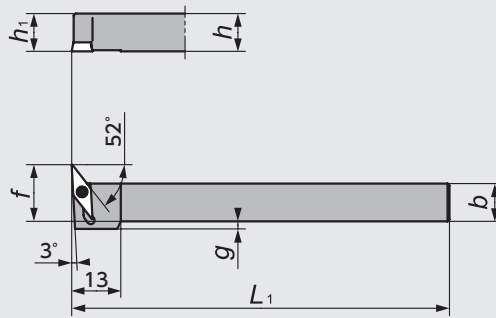


Figure-3

● Left-Hand style shown  
☆ Takes Right-hand or neutral insert

### DS-SVVP

(DS Holder)

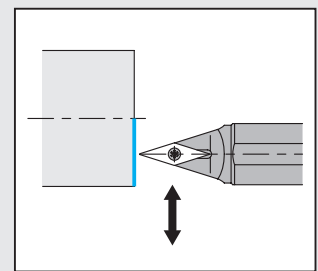
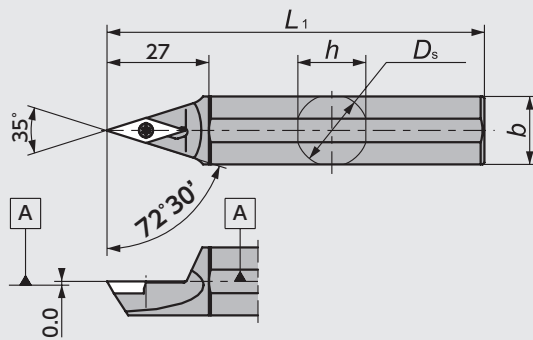


Figure-4

### DS-SVVP-ACH

(DS-holder with Adjustable centerline height)

Parts		
Shank	Wedge	Screw for Wedge
φ16		WS060415-003 (5795539)
φ19.05	ACH-W18 (5805601)	
φ20		
φ22		WS060419-004 (5799226)
φ25.4	ACH-W24 (5805619)	

Adjustable range 0-+0.2

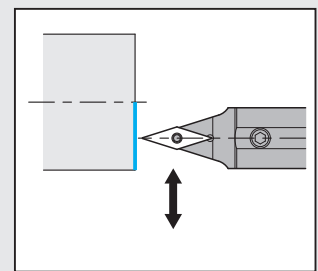
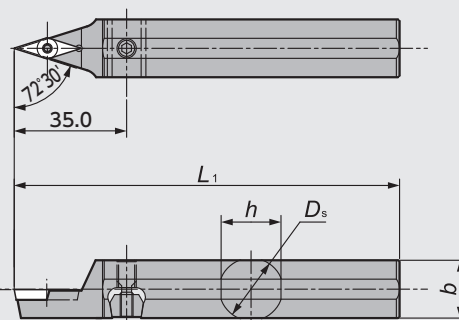
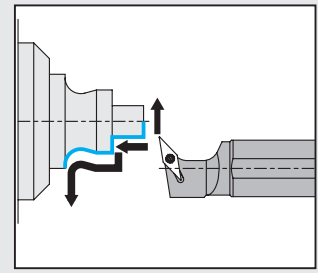
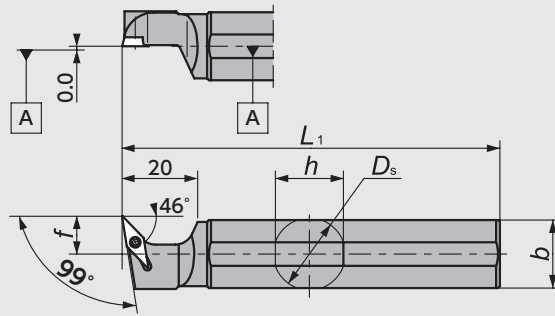


Figure-5

## DS-SVXP

(DS Holder)



● Left-Hand style shown  
☆ Takes Right-hand or neutral insert

Figure-6

New Products

Tool Materials / Selection Guide

Micrograin Carbide, BIDEIMS, PCD, PVD Coated Carbide, CBN and Ceramics

Insert Item List

General Turning Toolholders

Unique Swiss Tooling

Grooving / Side Turning

Threading

Shaper

ID Tooling

Application Introduction

Endmills

Rotating Tools

Information

Index

## VP.. Series - Toolholders

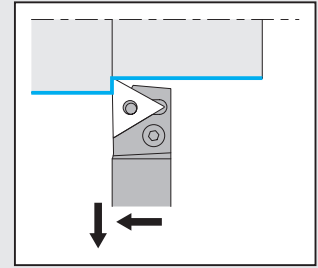
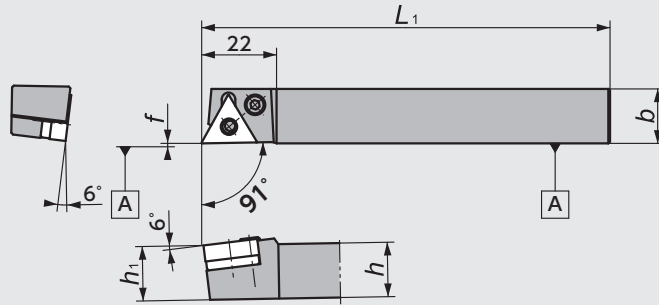
Figure	Code No.		Item Number	Stock		Dimensions (mm)						Gage Insert	Spare Parts		
	R	L		R	L	$D_s$	$h$	$b$	$L_1$	$h_1$	$f$	$g$		Clamp Screw	Wrench
	N			N											
1	5511506	5511514	SVXP <sup>R/L</sup> 1012X11N	●	●	—	10.0	12	120	10	—	—	VP  1103 E50	LRIS-2.5*7	CLR-15S
	5511522	5511548	1212X11N	●	●	—	12.0	12	120	12	0.0	—			
2	5600622	5600614	SVQP <sup>R/L</sup> 1010X08N	●	●	—	10.0	10	—	—	—	3.5	VP  0802 E50	LRIS-2*6	CLR-13S
	5600598	5600606	1212X08N	●	●	—	12.0	12	120	10	0.0	1.5			
	5600580	5600564	1616X08N	●	●	—	16.0	16	—	—	—	—			
3		5659206	CH-SVUP <sup>R/L</sup> 1010H08	●	●	—	10.0	10	—	10	15	2	VP  0802 E50	LRIS-2*6	CLR-13S
		5659214	1212H08	●	●	—	12.0	12	100	12	17	0			
4	5511555		DS-SVVPN19-11	●	●	—	19.050	18.0	18	—	—	—	VP  1103 E50	LRIS-2.5*7	CLR-15S
	5511563		N22-11	●	●	—	22.00	21.0	21	—	—	—			
5	5805643		DS-SVVPN16-11-ACH*	●	●	—	16.000	15.5	15	—	—	—	VP  1103 E50	LRIS-2.5*7	CLR-15S
	5799655		N19-11-ACH	●	●	—	19.050	18.0	18	120	—	—			
	5799663		N20-11-ACH	●	●	—	20.000	19.0	19	—	—	—			
	5799671		N22-11-ACH*	●	●	—	22.000	21.0	21	—	—	—			
	5807524		N25-11-ACH	●	●	—	25.400	24.0	24	150	—	—			
6	5534003		DS-SVXP <sup>R/L</sup> 19-08	●	●	—	19.050	18.0	18	—	—	—	VP  0802 E50	LRIS-2*6	CLR-13S
	5534011		20-08	●	●	—	20.000	19.0	19	120	—	10			
	5600549		22-08*	●	●	—	22.000	21.0	21	—	—	—			
	5533997		25-08	●	●	—	25.400	24.0	24	150	—	—			

\*Compatible with 16mm / 22mm round shank DS Series holders. DS-Sleeve → G103

## Toolholders for TN.. Inserts

### PTAN-N

(Lever - lock)  
Screw accessible from both sides

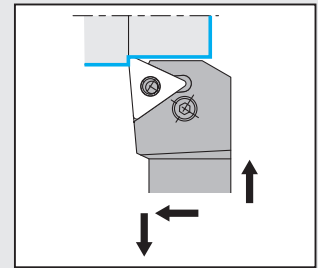
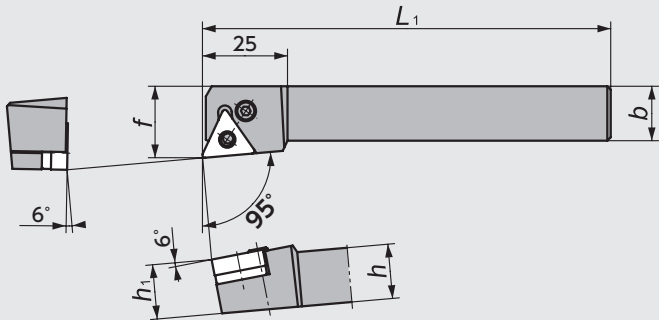


● Right-Hand style shown

Figure-1

### PTLN

(Lever - lock)  
Screw accessible from both sides

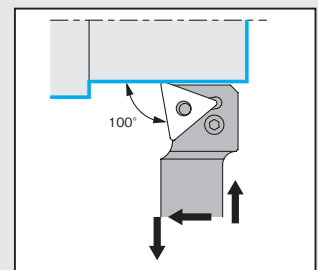
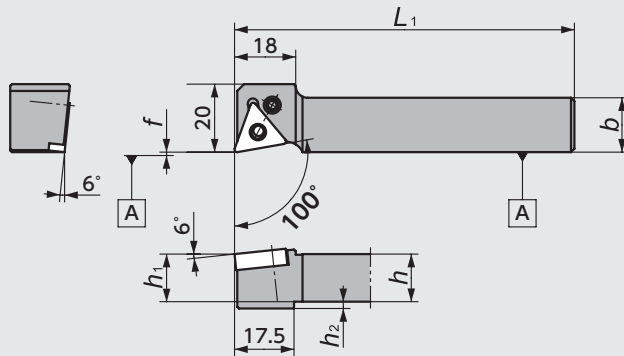


● Right-Hand style shown

Figure-2

### PTXN-N

(Lever - lock)

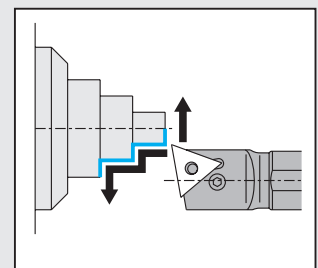
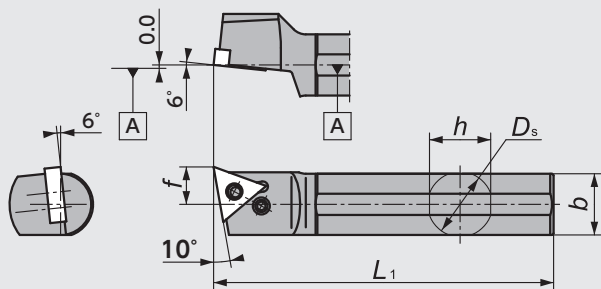


● Right-Hand style shown

Figure-3

### DS-PTX

(Lever - lock)  
DS Holder



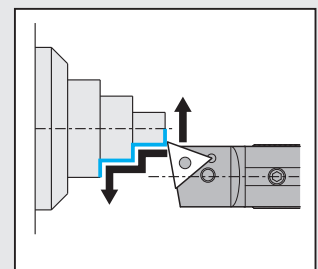
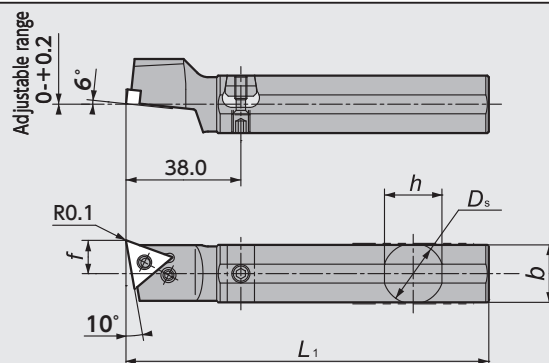
● Left-Hand style shown  
☆ Takes Right-hand or neutral insert

Figure-4

### DS-PTX-ACH

(DS-holder with Adjustable centerline height)

(Parts)		
Shank	Wedge	Screw for Wedge
φ16		WS060415-003 (5795539)
φ19.05	ACH-W18 (5805601)	
φ20		
φ22		WS060419-004 (5799226)
φ25	ACH-W24 (5805619)	
φ25.4		



● Left-Hand style shown  
☆ Takes Right-hand or neutral insert

Figure-5



## STXNR-N

Screw-on

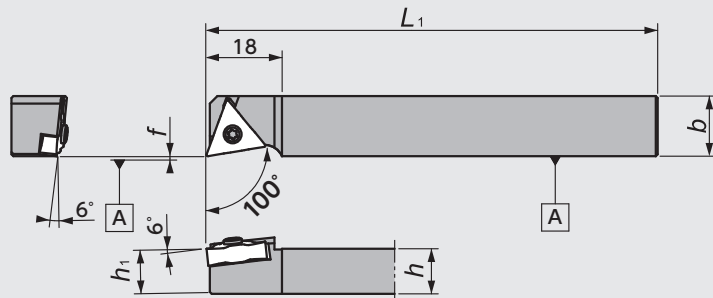


Figure-6

※Only for UL Chipbreaker

●Right-Hand style shown

New Products

Tool Materials / Selection Guide  
BIDEMCS, PCD, CBN and Ceramics  
Micrograin Carbide, PVD Coated Carbide

Insert Item List

General Turning Toolholders

Unique Swiss Tooling

Grooving / Side Turning

Threading

Shaper

ID Tooling

Application Introduction

Endmills

Rotating Tools

Information

Index

## TN.. Series - Toolholders

Figure	Code No.		Item Number	Stock		Dimensions (mm)							Gage insert	Spare Parts					
	R	L		R	L	D <sub>s</sub>	h	b	L <sub>1</sub>	h <sub>1</sub>	f	h <sub>2</sub>		Shim	Clamp Pin	Clamp Screw	Spring	Wrench	
1	5252325		PTAN <sup>R/L</sup> 1616X33N	●		—	16	16	120	16	0.0	—	TN <sup>□□□□</sup> 1604 E25~26• 37	LST317	LCL3	LCS3	LSP3	LW-2.5	
2	5552336	5552344	PTLN <sup>R/L</sup> 2020L33	●	●	—	20	20	140	20	25	—	TN <sup>□□□□</sup> 1604 E25~26• 37	LST317	LCL3	LCS3	LSP3	LW-2.5	
3	5479860		PTXN <sup>R/L</sup> 1016X33N	●		—	10	16	120	10	0.0	0	TN <sup>□□□□</sup> 1604 E25~26• 37	/	LCL33N	LCS33	/	LW-2	
	5016183		1216X33NGX	●			85		12										
	5479852		1216X33N	●			120		16										
	5489901		1616X33N	●			16		16										
	5513965		2020X33N	●			20		20										
4	5815766		DS-PTX <sup>R/L</sup> 16-33	★		16.00	15	18	120	—	—	—	TN <sup>□□□□</sup> 1604 E25~26• 37	/	LCL33N	LCS33	/	LW-2	
	5519707		19-33	●		19.05	18	18											11.0
	5519715		20-33	●		20.00	19	19											12.0
	5591029		22-33*	●		22.00	21	21											13.0
	5519699		25M-33	●		25.40	24	24											150
5	5805650		DS-PTX <sup>R/L</sup> 16-33-ACH*	●		16.00	15.5	15	120	—	—	—	TN <sup>□□□□</sup> 1604 E25~26• 37	/	LCL33N	LCS33	/	LW-2	
	5799689		19-33-ACH	●		19.05	18	18											11.0
	5799697		20-33-ACH	●		20.00	19	19											12.0
	5799705		22-33-ACH*	●		22.00	21	21											13.0
	5934039		25-33MET-ACH	●		25.00	24	24											150
	5799713		25-33-ACH	●		25.40	24	24											150

Figure	Code No.		Item Number	Stock		Dimensions (mm)							Gage insert	Spare Parts	
	R	L		R	L	D <sub>s</sub>	h	b	L <sub>1</sub>	h <sub>1</sub>	f	h <sub>2</sub>		Clamp Screw	Wrench
6	5837893		STXNR1016X33N	●		—	10	16	120	10	0	—	TNGG1604□□ MFNUL E37	LR-S-3.5x10	LLR-20S
	5016191		1216X33NGX	●			85		12						
	5837901		1216X33N	●			120		16						
	5837919		1616X33N	●			16		16						

※Compatible with 16mm / 22mm round shank DS Series holders. DS-Sleeve → G103