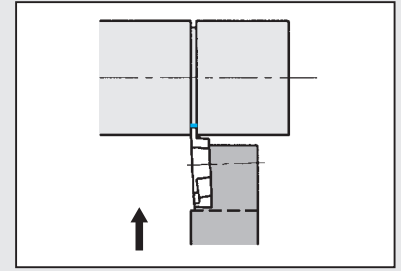
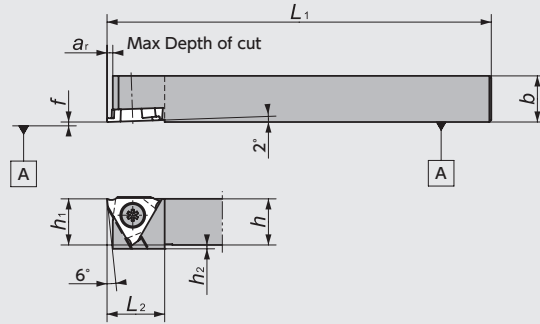


GTT Series

GTT

Screw accessible from both sides

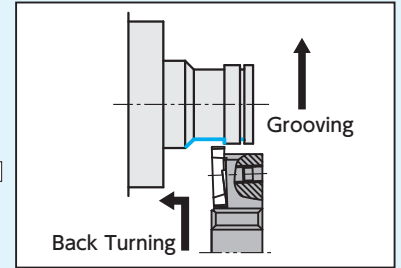
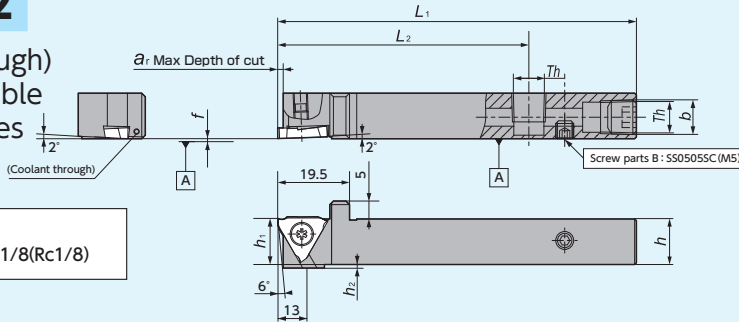


● Right-Hand style shown

Figure-1

GTT-OH2

(Coolant through)
Screw accessible from both sides

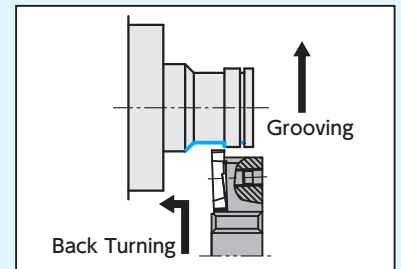
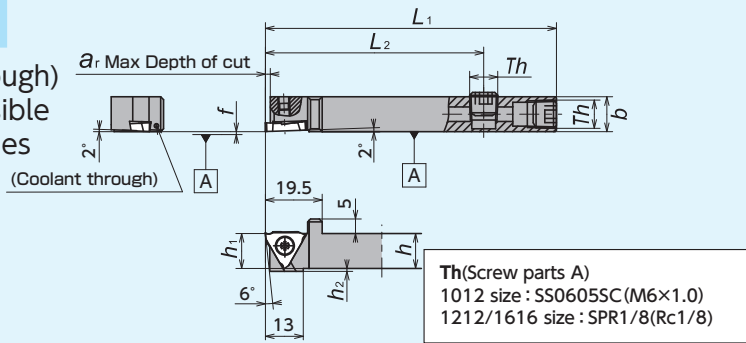


● Right-Hand style shown

Figure-2

GTT-OH

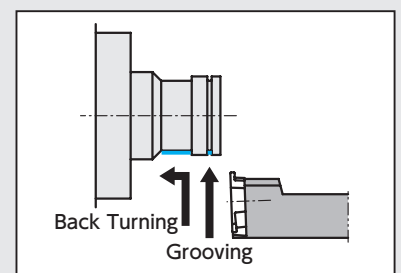
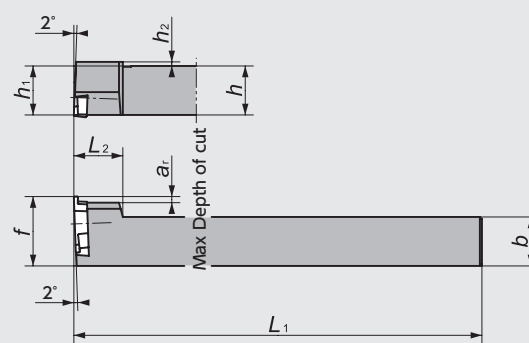
(Coolant through)
Screw accessible from both sides



● Right-Hand style shown

Figure-3

CH-GTT

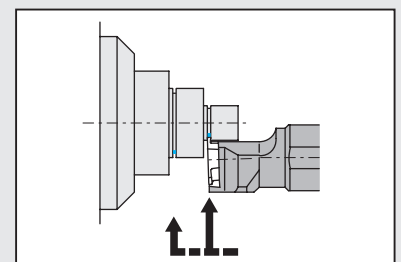
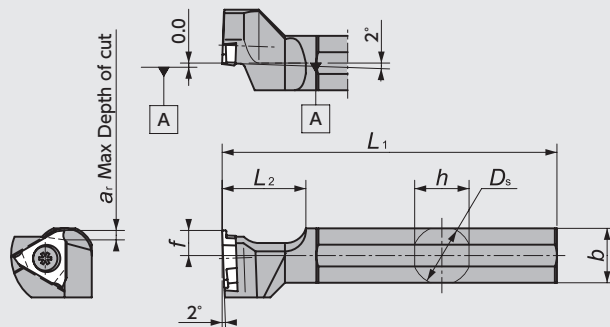


● Left-Hand style shown
☆ Takes Right-hand insert

Figure-4

DS-GTT





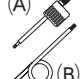
(DS Holder)



● Left-Hand style shown
☆ Takes Right-hand insert

Figure-5

GTT Series - Toolholders

Figure	Code No.		Item Number	Stock		Dimensions (mm)										Groove Width Range (mm) w	Gage insert 	Spare Parts			
	R	L		R	L	h	b	L ₁	h ₁	f	L ₂	a _r	h ₂	D _s	Clamp Screw			Wrench			
1	5107305	5107313	GTT^RL08F00	●	●		8											 Right : LR-S-4*10PW (A) Left : LR-S-4*5.8 (B) LR-S-4*10PW (A) Right : LR-S-4*10PW (A) Left : LR-S-4*5.8 (B) CLR-15S (A) LR-S-4*10PW (A) 1.45 3.00 2.50 3.00 GTMH32 GTMX32 H22~25 TBMH32 G61	 		
	5608682		0810F00	●		8	10		8												
	5107206	5107214	08K00	●	●		8														
	5608690		0810K00	●			10														
	5107321	5107339	10F00	●	●	10	10	80													
	5107222	5107230	10K00	●	●			120				1.6									
	5107347	5107354	12F00	●	●	12	12	80													
	5107248	5107255	12K00	●	●			120													
	5459896	5551387	16H00	●	●	16	16	100													
	5173687	5173679	16K00	●	●			120													
	5530852	5780317	20K00	●	●	20	20	125	20												
	5780309	5780291	25M00	●	●	25	25	150	25	0	15										
	5107362	5107370	10F15	●	●	10	10	80													
	5107263	5107271	10K15	●	●			120													
	5537220	5537147	12F15	●	●	12	12	80													
	5537246	5537162	12K15	●	●			120													
	5537261	5537188	16H15	●	●	16	16	100													
	5537287	5537204	16K15	●	●			120				2.7									
	5107388	5107396	10F25	●	●	10	10	80													
	5107289	5107297	10K25	●	●			120													
5537238	5537154	12F25	●	●	12	12	80														
5537253	5537170	12K25	●	●			120														
5537279	5537196	16H25	●	●	16	16	100														
5537295	5537212	16K25	●	●			120														
2	5035381		GTT^RL12H00-OH2	●		12	12	100	12												
	5043997		16X00-OH2	●		16	16	120	16	0	70	1.6	1								
3	5921705		GTT^RL1012H00-OH	●		10			10												
	5890157		GTTR12H00-OH	●		12		100	12	0	70	1.6	1								
	5921713		GTT^RL16H00-OH	●		16	16		16				0								
4	5659248		CH-GTT^RL10H00	●	●	10	10	100	10	15											
	5659255		12H00	●	●	12	12	100	12	17		1.5	1								
	5960836		16H00	●	●	16	16	100	16	21			0								
5	5348560		DS-GTT^RL14F	●		13	13	80													
	5348081		15H	●		15	15	100													
	5341532		16X ※2	●				95													
	5278288		19	●		18	18				6										
	5278304		20	●		19	19	120				20	1.6								
	5324041		22 ※2	●		21	21														
	5483433		25MET	●		24	24	150				10									
	5317144		25	●		24	24	120				10									
5937693		32	●		30	30	150				10										

※1 Would be changed by insert

※2 Compatible with 16mm / 22mm round shank DS Series holders DS-Sleeve **G103**

New Products
Tool Materials / Selection Guide
Micrograin Coated, BIDEIMS, PCD
PVD Coated Coated, CBN and Ceramics
Insert Item List
General Turning Toolholders
Unique Swiss Tooling
Grooving / Side Turning
Threading
Shaper
ID Tooling
Application Introduction
Endmills
Rotating Tools
Information
Index

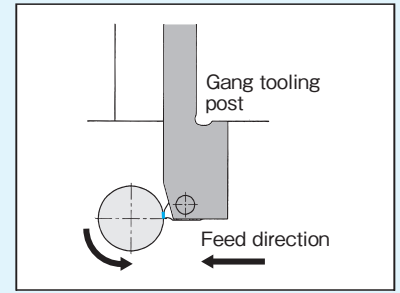
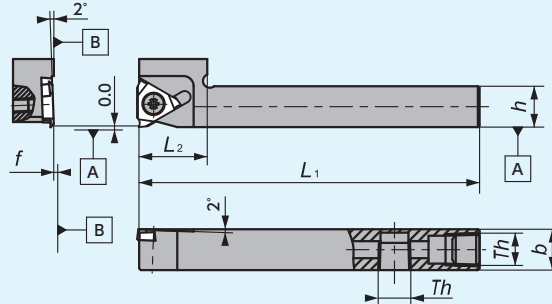
Grooving / Side Turning

GTT Series

Y-GTT-OH

(Y-axis/Coolant through)
Screw accessible from both sides

Th(Screw parts A)
1212/1616 size:SPR1/8(Rc1/8)

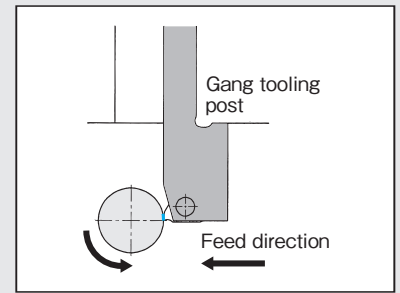
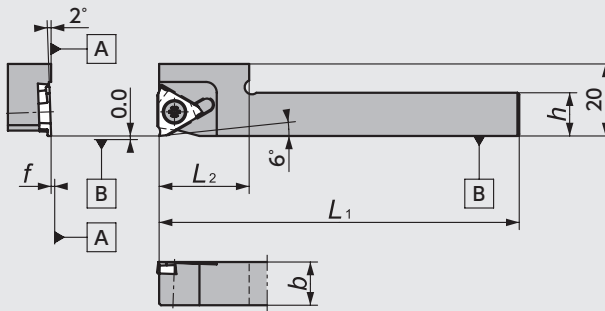


● Right-Hand style shown
☆ Takes Right-hand insert

Figure-1

Y-GTT




(Y-axis)
Screw accessible from both sides



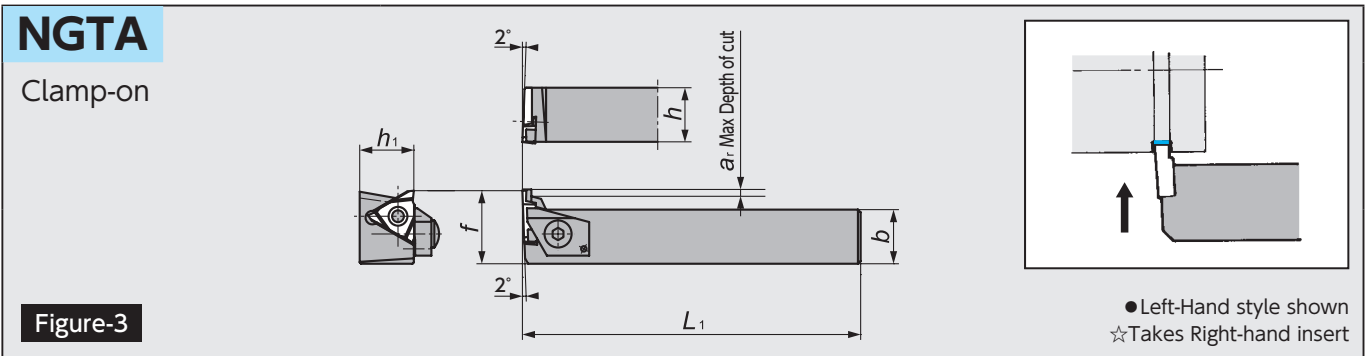
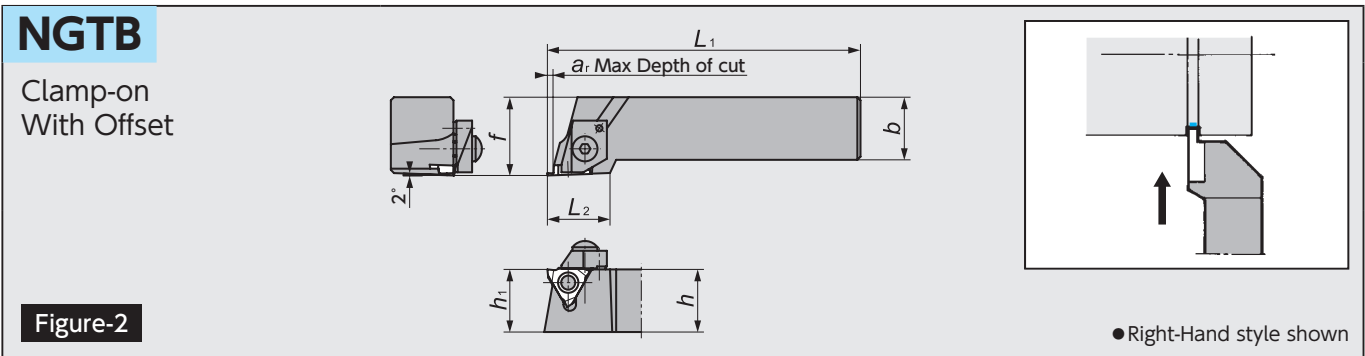
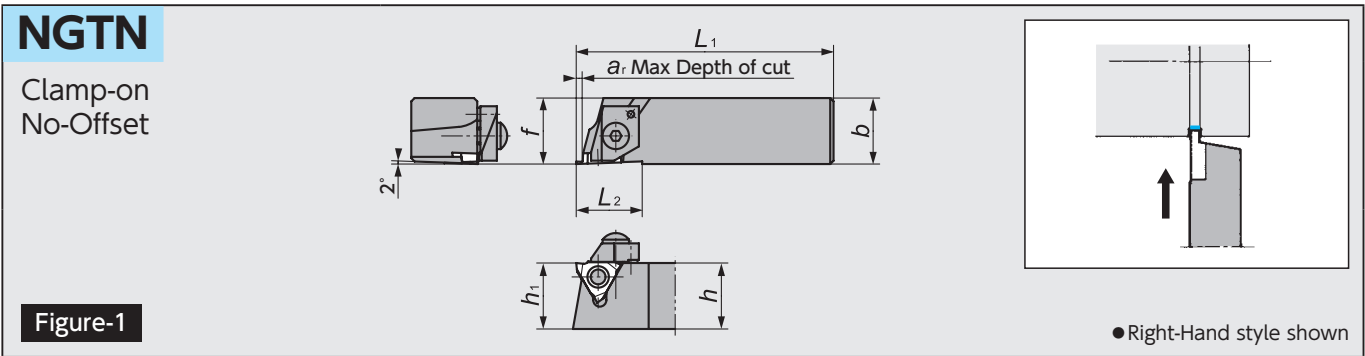
● Right-Hand style shown
☆ Takes Right-hand insert

Figure-2

GTT Series - Toolholders

Figure	Code No.		Item Number	Stock		Dimensions (mm)								Groove Width Range (mm) w	Gage insert 	Spare Parts		
	R	L		R	L	h	b	L ₁	h ₁	f	L ₂	a _r	h ₂			Clamp Screw 	Wrench 	
1	5911466		Y-GTT [®] 1/2 12H00S-OH	●		12	12						20		GTMH32 GTMX32 H22~25	LR-S-4 * 10PW	CLR-15S	
	5911474		Y-GTT [®] 1/2 16H00-OH	●		16	16	100	—	0			25					0.30 } 3.00 *1
2	5371604		Y-GTT [®] 1/2 10S	●									20		TBMH32 G61	LR-S-4 * 10PW	CLR-15S	
	5950415		10MS	●		10	10						22					0.30 } 3.00 *1
	5371620		12S	●				120	—	0			20					
	5950472		12MS	●		12	12						22					

NGT Series



NGT Series - Toolholders

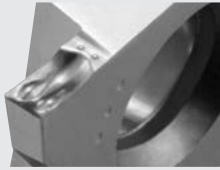
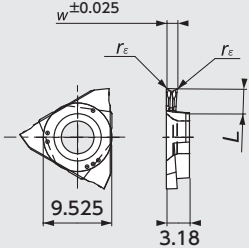
Figure	Code No.		Item Number	Stock		Dimensions (mm)							Groove Width Range (mm) w	Gage insert	Spare Parts				
	R	L		R	L	h	b	L ₁	h ₁	f	L ₂	a _r			h ₂	Clamp	Clamp Bolt	Spring	Wrench
1	5525928	5525738	NGTN [®] L161632-00	●	●								1.6	0.30~3.00 ※1	GTMH32 GTMX32 H22~25	CPR/L5S	AOS-5*20	ASG-5	LW-2.5
	5534110		161632-15	●		16	16	78	16	16	20	—	2.7	1.45~3.00					
	5534128		161632-25	●										2.50~3.00					
2	5542295		NGTB [®] L202032-00S	●									1.6	0.30~3.00 ※1	GTMH32 GTMX32 H22~25	CPR/L5	AOS-5*25	ASG-5	LW-2.5
	5537717		202032-15S	●		20	20	125	20	25			2.7	1.45~3.00					
	5553243		202032-25S	●							25		1.6	2.50~3.00					
	5549563		252532-00S	●									2.7	0.30~3.00 ※1					
	5545801		252532-15S	●		25	25	150	25	30			2.7	1.45~3.00					
	5553417		252532-25S	●										2.50~3.00					
3	5536370		NGTA [®] L202032-00S	●		20	20	125	20	25			1.6	0.30~3.00 ※1	GTMH32 GTMX32 H22~25	CPR/L5※	AOS-5*25	ASG-5	LW-2.5
	5536388		202032-15S	●									2.7	1.45~3.00					

※1 Would be changed by insert
※Left-Hand clamp with should be used with right-hand holder
Right-Hand clamp with should be used with left-hand holder

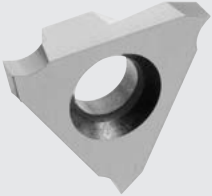
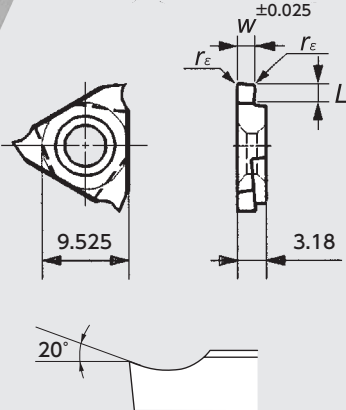
Grooving / Side Turning

GTT/NGT Series - Inserts

● GTMH32-GX

Shape	Item Number	Dimensions (mm)			Max Depth of cut		PVD Coated Carbide								
		w	L	r _ε	Grooving	Side Turning	ST4		TM4		DM4				
							Stock	R	Stock	R	Stock	R			
  <p>● Right-Hand style shown</p>	GTMH32033RGX	0.33	0.6	0.05	0.25	—	5039136	●	5019468	●	5019450	●			
	043RGX	0.43	1.2				5039144	●	5019443	●	5019435	●			
	050RGX	0.50					5039151	●	5019419	●	5019401	●			
	053RGX	0.53					5039169	●	5019393	●	5019336	●			
	075RGX	0.75					1.6	5039177	●	5910765	●	5910898	●		
	095RGX	0.95	5039185					●	5922224	●	5922216	●			
	100RGX	1.00	2.0					5039193	●	5910815	●	5910906	●		
	100RGX01						0.1	5039201	●	5910823	●	5910963	●		
	150RGX	1.50	3.0				0.05	2.7	2.00	5039219	●	5910740	●	5910914	●
	150RGX01									0.1	5039227	●	5910849	●	5910971
	150RGX02			0.2	5039235	●				5910864	●	5910997	●		
	200RGX	2.00	3.0	0.05	2.7	2.00	5039243	●	5910732	●	5910930	●			
	200RGX01			0.1			5039250	●	5910856	●	5910989	●			
	200RGX02			0.2			5039268	●	5910872	●	5911003	●			
	300RGX			0.05			5039276	●	5910724	●	5910948	●			
	300RGX02	3.00	0.2	0.05	2.7	2.00	5039284	●	5910880	●	5911011	●			

● GTMH32-E

Shape	Item Number	Dimensions (mm)				PVD Coated Carbide				
		w	L	r _ε	Max Depth of cut	ZM3				
						R	Stock	L	Stock	
  <p>● Right-Hand style shown</p>	GTMH32033^R/_LE	0.33	0.6	0.03	0.3	5108766	●	5109046	●	
	043^R/_LE	0.43	1.2			5108758	●	5109038	●	
	053^R/_LE	0.53				5108774	●	5109020	●	
	075^R/_LE	0.75				5108790	●	5109012	●	
	077^R/_LE	0.77				5920574	●	5965264	●	
	095^R/_LE	0.95	5108808			●	5109004	●		
	097^R/_LE	0.97	5919980			●	5965272	●		
	100^R/_LE	1.00	2.0			1.6	5108816	●	5108998	●
	103^R/_LE	1.03					5965298	●	5965306	●
	120^R/_LE	1.20					5108824	●	5108980	●
	125^R/_LE	1.25	0.05	0.05	5373360	●				
	140^R/_LE	1.40			5108782	●	5108907	●		
	145RE	1.45			5231667	●				
	150^R/_LE	1.50			5108899	●	5108972	●		
	175RE	1.75			5919998	●				
	180^R/_LE	1.80			3.0	2.7	5108881	●	5108964	●
	200^R/_LE	2.00					5108873	●	5108956	●
	225^R/_LE	2.25					5108865	●	5108949	●
	250^R/_LE	2.50			5108857	●	5108931	●		
	275^R/_LE	2.75			5108840	●	5108923	●		
	300^R/_LE	3.00	5108832	●	5108915	●				
	100^R/_LE01	1.00	2.0	0.1	1.6	5109079	●	5109087	●	
	120^R/_LE01	1.20				5109277	●	5109251	●	
	150^R/_LE01	1.50	3.0	0.1	2.7	5109061	●	5109269	●	
200^R/_LE01	2.00	5109053				●	5109244	●		