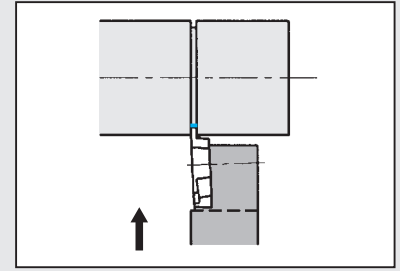
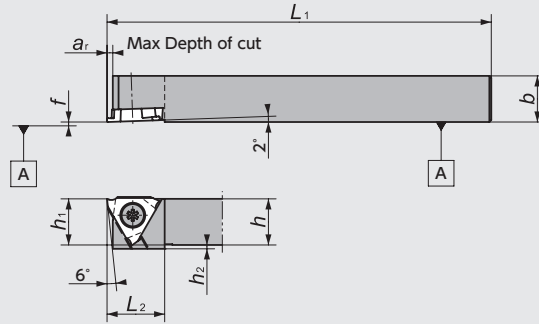


## GTT Series

### GTT

Screw accessible from both sides

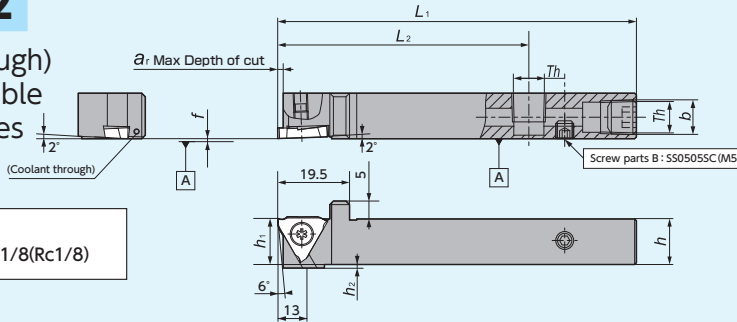


● Right-Hand style shown

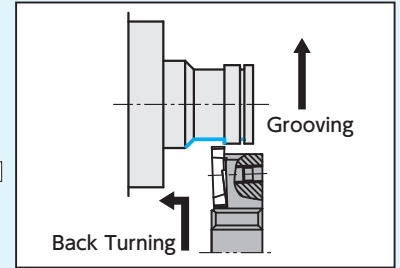
Figure-1

### GTT-OH2

(Coolant through)  
Screw accessible from both sides



Th (Screw parts A)  
1212/1616 size: SPR1/8(Rc1/8)

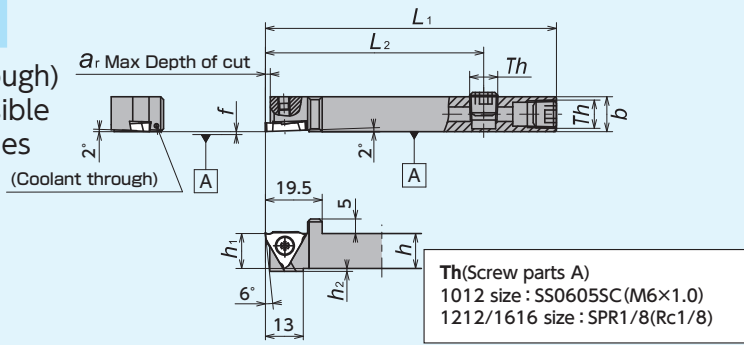


● Right-Hand style shown

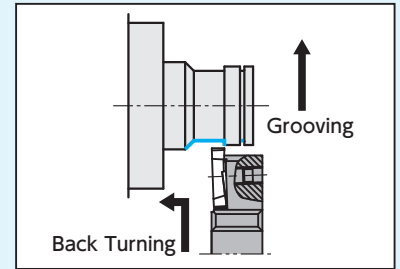
Figure-2

### GTT-OH

(Coolant through)  
Screw accessible from both sides



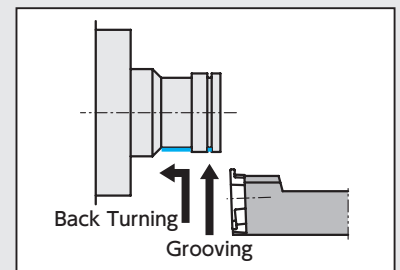
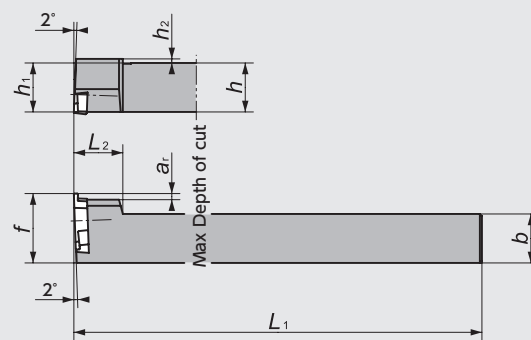
Th (Screw parts A)  
1012 size: SS0605SC (M6×1.0)  
1212/1616 size: SPR1/8(Rc1/8)



● Right-Hand style shown

Figure-3

### CH-GTT

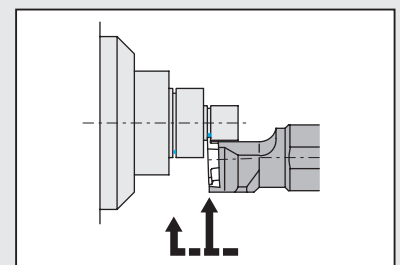
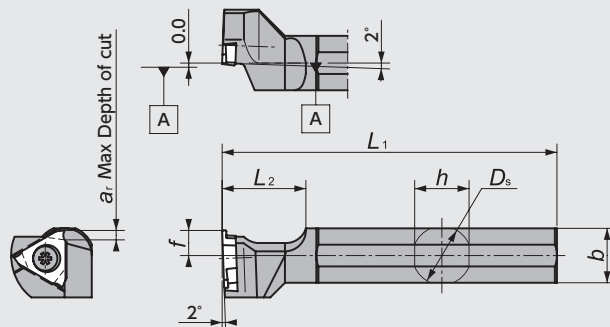


● Left-Hand style shown  
☆ Takes Right-hand insert

Figure-4

### DS-GTT





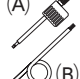
(DS Holder)



● Left-Hand style shown  
☆ Takes Right-hand insert

Figure-5

## GTT Series - Toolholders

Figure	Code No.		Item Number	Stock		Dimensions (mm)										Groove Width Range (mm) $w$	Gage insert 	Spare Parts			
	R	L		R	L	$h$	$b$	$L_1$	$h_1$	$f$	$L_2$	$a_1$	$h_2$	$D_s$	Clamp Screw			Wrench			
1	5107305	5107313	<b>GTT<sup>R</sup>/L08F00</b>	●	●		8											 Right : LR-S-4 * 10PW (A) Left : LR-S-4 * 5.8 (B) LR-S-4 * 10PW (A) Right : LR-S-4 * 10PW (A) Left : LR-S-4 * 5.8 (B) CLR-15S (A) LR-S-4 * 10PW (A) 1.45 3.00 2.50 3.00 GTMH32 GTMX32 <b>H22~25</b> TBMH32 <b>G61</b>	 		
	5608682		<b>0810F00</b>	●		8	10		8												
	5107206	5107214	<b>08K00</b>	●	●		8														
	5608690		<b>0810K00</b>	●			10														
	5107321	5107339	<b>10F00</b>	●	●	10	10	80													
	5107222	5107230	<b>10K00</b>	●	●			120				1.6									
	5107347	5107354	<b>12F00</b>	●	●	12	12	80													
	5107248	5107255	<b>12K00</b>	●	●			120													
	5459896	5551387	<b>16H00</b>	●	●	16	16	100													
	5173687	5173679	<b>16K00</b>	●	●			120													
	5530852	5780317	<b>20K00</b>	●	●	20	20	125	20												
	5780309	5780291	<b>25M00</b>	●	●	25	25	150	25	0	15										
	5107362	5107370	<b>10F15</b>	●	●	10	10	80													
	5107263	5107271	<b>10K15</b>	●	●			120													
	5537220	5537147	<b>12F15</b>	●	●	12	12	80													
	5537246	5537162	<b>12K15</b>	●	●			120													
	5537261	5537188	<b>16H15</b>	●	●	16	16	100													
	5537287	5537204	<b>16K15</b>	●	●			120				2.7									
	5107388	5107396	<b>10F25</b>	●	●	10	10	80													
	5107289	5107297	<b>10K25</b>	●	●			120													
5537238	5537154	<b>12F25</b>	●	●	12	12	80														
5537253	5537170	<b>12K25</b>	●	●			120														
5537279	5537196	<b>16H25</b>	●	●	16	16	100														
5537295	5537212	<b>16K25</b>	●	●			120														
2	5035381		<b>GTT<sup>R</sup>/L12H00-OH2</b>	●		12	12	100	12												
	5043997		<b>16X00-OH2</b>	●		16	16	120	16												
3	5921705		<b>GTT<sup>R</sup>/L1012H00-OH</b>	●		10			10												
	5890157		<b>GTTR12H00-OH</b>	●		12			100	12											
	5921713		<b>GTT<sup>R</sup>/L16H00-OH</b>	●		16	16		16												
4	5659248		<b>CH-GTT<sup>R</sup>/L10H00</b>	●	●	10	10	100	10	15											
	5659255		<b>12H00</b>	●	●	12	12	100	12	17		1.5									
	5960836		<b>16H00</b>	●	●	16	16	100	16	21											
5	5348560		<b>DS-GTT<sup>R</sup>/L14F</b>	●		13	13	80													
	5348081		<b>15H</b>	●		15	15	100													
	5341532		<b>16X<sup>※2</sup></b>	●				95													
	5278288		<b>19</b>	●		18	18				6										
	5278304		<b>20</b>	●		19	19	120													
	5324041		<b>22<sup>※2</sup></b>	●		21	21														
	5483433		<b>25MET</b>	●		24	24	150													
	5317144		<b>25</b>	●		24	24	120													
5937693		<b>32</b>	●		30	30	150														

※1 Would be changed by insert

※2 Compatible with 16mm / 22mm round shank DS Series holders DS-Sleeve 

New Products  
Tool Materials / Selection Guide  
Micrograin Coated, BIDEIMS, PCD  
PVD Coated Coated, CBN and Ceramics  
Insert Item List  
General Turning Toolholders  
Unique Swiss Tooling  
Grooving / Side Turning  
Threading  
Shaper  
ID Tooling  
Application Introduction  
Endmills  
Rotating Tools  
Information  
Index

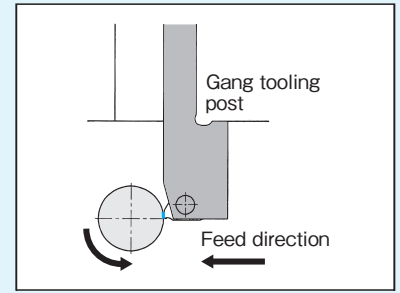
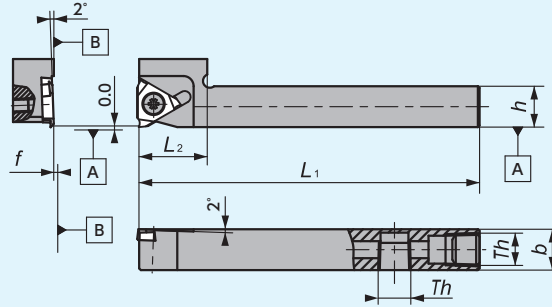
# Grooving / Side Turning

## GTT Series

### Y-GTT-OH

(Y-axis/Coolant through)  
Screw accessible from both sides

Th(Screw parts A)  
1212/1616 size:SPR1/8(Rc1/8)

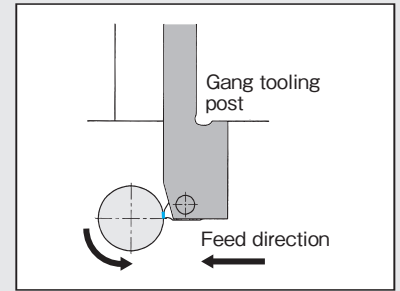
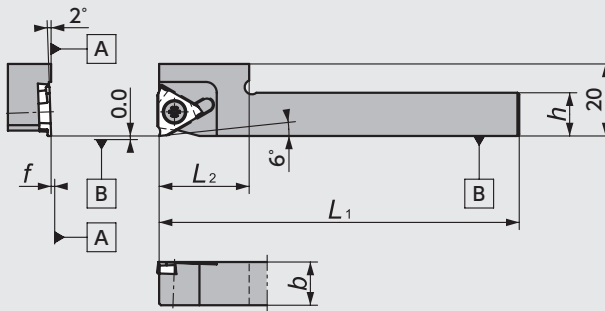


● Right-Hand style shown  
☆ Takes Right-hand insert

Figure-1

### Y-GTT




(Y-axis)  
Screw accessible from both sides



● Right-Hand style shown  
☆ Takes Right-hand insert

Figure-2

## GTT Series - Toolholders

Figure	Code No.		Item Number	Stock		Dimensions (mm)								Groove Width Range (mm) w	Gage insert 	Spare Parts		
	R	L		R	L	h	b	L <sub>1</sub>	h <sub>1</sub>	f	L <sub>2</sub>	a <sub>r</sub>	h <sub>2</sub>			Clamp Screw 	Wrench 	
1	5911466		Y-GTT <sup>®</sup> ¼12H00S-OH	●		12	12						20		GTMH32 GTMX32 <b>H22~25</b>	LR-S-4* 10PW	CLR-15S	
	5911474		Y-GTT <sup>®</sup> ¼16H00-OH	●		16	16	100	—	0			25					0.30 } 3.00 *1
2	5371604		Y-GTT <sup>®</sup> ¼10S	●			10	10					20		TBMH32 <b>G61</b>	LR-S-4* 10PW	CLR-15S	
	5950415		10MS	●									22					0.30 } 3.00 *1
	5371620		12S	●				120	—	0			20					
	5950472		12MS	●		12	12						22					

## NGT Series

### NGTN

Clamp-on  
No-Offset

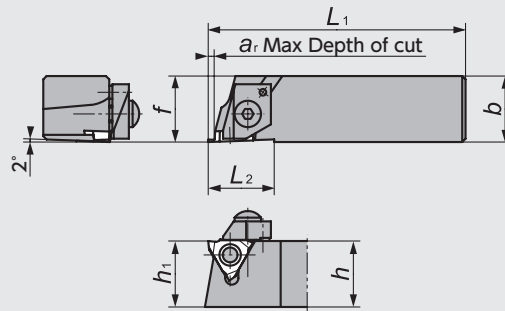
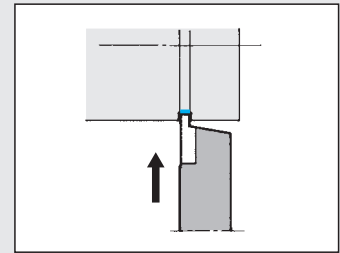


Figure-1



● Right-Hand style shown

### NGTB

Clamp-on  
With Offset

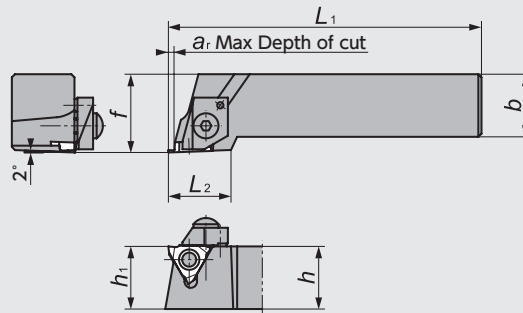
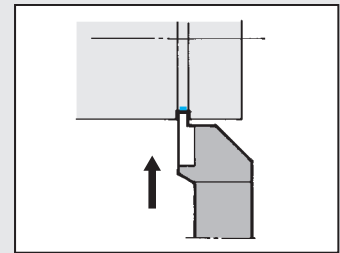


Figure-2



● Right-Hand style shown

### NGTA

Clamp-on

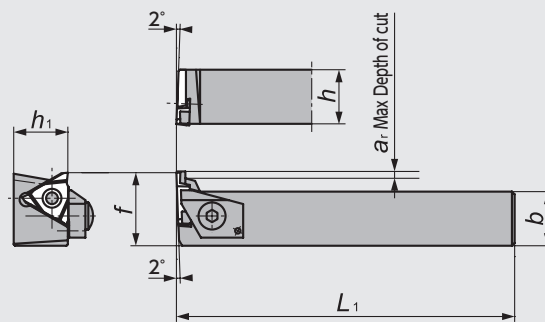
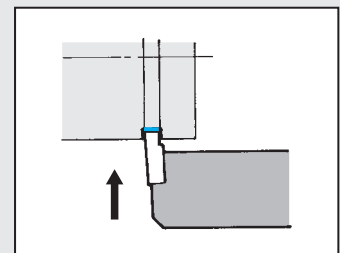

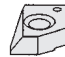





Figure-3



● Left-Hand style shown  
☆ Takes Right-hand insert

## NGT Series - Toolholders

Figure	Code No.		Item Number	Stock		Dimensions (mm)							Groove Width Range (mm) w	Gage insert 	Spare Parts				
	R	L		R	L	h	b	L1	h1	f	L2	ar			h2	Clamp 	Clamp Bolt 	Spring 	Wrench 
1	5525928	5525738	NGTN <sup>®</sup> L161632-00	●	●								1.6	0.30~3.00 ※1	GTMH32 GTMX32 H22~25	CPR/L5S	AOS-5*20	ASG-5	LW-2.5
	5534110		161632-15	●		16	16	78	16	16	20	—	2.7	1.45~3.00					
	5534128		161632-25	●									—	2.50~3.00					
2	5542295		NGTB <sup>®</sup> L202032-00S	●									1.6	0.30~3.00 ※1	GTMH32 GTMX32 H22~25	CPR/L5	AOS-5*25	ASG-5	LW-2.5
	5537717		202032-15S	●		20	20	125	20	25			2.7	1.45~3.00					
	5553243		202032-25S	●							25	—	1.6	0.30~3.00 ※1					
	5549563		252532-00S	●									2.7	1.45~3.00					
	5545801		252532-15S	●		25	25	150	25	30			2.7	2.50~3.00					
	5553417		252532-25S	●									—	—					
3	5536370		NGTA <sup>®</sup> L202032-00S	●		20	20	125	20	25			1.6	0.30~3.00 ※1	GTMH32 GTMX32 H22~25	CPR/L5※	AOS-5*25	ASG-5	LW-2.5
	5536388		202032-15S	●									2.7	1.45~3.00					

※1 Would be changed by insert

※Left-Hand clamp with should be used with right-hand holder  
Right-Hand clamp with should be used with left-hand holder

# Grooving / Side Turning

## GTT/NGT Series - Inserts

### ● GTMH32-GX

Shape	Item Number	Dimensions (mm)			Max Depth of cut		PVD Coated Carbide									
		w	L	r <sub>ε</sub>	Grooving	Side Turning	ST4		TM4		DM4					
							Stock	R	Stock	R	Stock	R				
<p>● Right-Hand style shown</p>	<b>GTMH32033RGX</b>	0.33	0.6	0.05	0.25	—	5039136	●	5019468	●	5019450	●				
	<b>043RGX</b>	0.43	1.2				5039144	●	5019443	●	5019435	●				
	<b>050RGX</b>	0.50					5039151	●	5019419	●	5019401	●				
	<b>053RGX</b>	0.53					5039169	●	5019393	●	5019336	●				
	<b>075RGX</b>	0.75					1.6	0.75	5039177	●	5910765	●	5910898	●		
	<b>095RGX</b>	0.95	2.0						1.50	5039185	●	5922224	●	5922216	●	
	<b>100RGX</b>	1.00								5039193	●	5910815	●	5910906	●	
	<b>100RGX01</b>		0.1						5039201	●	5910823	●	5910963	●		
	<b>150RGX</b>	1.50	3.0				0.05	2.7	2.00	5039219	●	5910740	●	5910914	●	
	<b>150RGX01</b>									0.1	5039227	●	5910849	●	5910971	●
	<b>150RGX02</b>									0.2	5039235	●	5910864	●	5910997	●
	<b>200RGX</b>	2.00	0.05				5039243	●	5910732	●	5910930	●				
	<b>200RGX01</b>		0.1				5039250	●	5910856	●	5910989	●				
	<b>200RGX02</b>		0.2				5039268	●	5910872	●	5911003	●				
	<b>300RGX</b>		3.00				0.05	5039276	●	5910724	●	5910948	●			
	<b>300RGX02</b>	0.2					5039284	●	5910880	●	5911011	●				

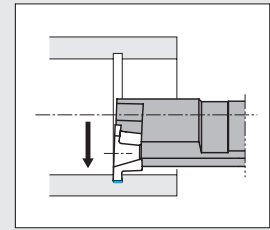
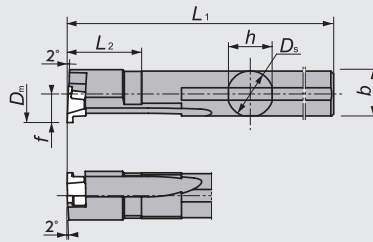
### ● GTMH32-E

Shape	Item Number	Dimensions (mm)				PVD Coated Carbide					
		w	L	r <sub>ε</sub>	Max Depth of cut	ZM3					
						R	Stock	L	Stock		
<p>● Right-Hand style shown</p>	<b>GTMH32033R<sub>1</sub>LE</b>	0.33	0.6	0.05	0.3	5108766	●	5109046	●		
	<b>043R<sub>1</sub>LE</b>	0.43	1.2			5108758	●	5109038	●		
	<b>053R<sub>1</sub>LE</b>	0.53				5108774	●	5109020	●		
	<b>075R<sub>1</sub>LE</b>	0.75				1.6	5108790	●	5109012	●	
	<b>077R<sub>1</sub>LE</b>	0.77					5920574	●	5965264	●	
	<b>095R<sub>1</sub>LE</b>	0.95	5108808				●	5109004	●		
	<b>097R<sub>1</sub>LE</b>	0.97	5919980				●	5965272	●		
	<b>100R<sub>1</sub>LE</b>	1.00	2.0			0.05	2.7	5108816	●	5108998	●
	<b>103R<sub>1</sub>LE</b>	1.03						5965298	●	5965306	●
	<b>120R<sub>1</sub>LE</b>	1.20						5108824	●	5108980	●
	<b>125R<sub>1</sub>LE</b>	1.25						5373360	●		
	<b>140R<sub>1</sub>LE</b>	1.40	3.0			0.1	2.7	5108782	●	5108907	●
	<b>145RE</b>	1.45						5231667	●		
	<b>150R<sub>1</sub>LE</b>	1.50						5108899	●	5108972	●
	<b>175RE</b>	1.75						5919998	●		
	<b>180R<sub>1</sub>LE</b>	1.80						5108881	●	5108964	●
	<b>200R<sub>1</sub>LE</b>	2.00						5108873	●	5108956	●
	<b>225R<sub>1</sub>LE</b>	2.25						5108865	●	5108949	●
	<b>250R<sub>1</sub>LE</b>	2.50						5108857	●	5108931	●
	<b>275R<sub>1</sub>LE</b>	2.75	5108840			●	5108923	●			
	<b>300R<sub>1</sub>LE</b>	3.00	5108832			●	5108915	●			
	<b>100R<sub>1</sub>LE01</b>	1.00	2.0			0.1	1.6	5109079	●	5109087	●
	<b>120R<sub>1</sub>LE01</b>	1.20						5109277	●	5109251	●
	<b>150R<sub>1</sub>LE01</b>	1.50	3.0			0.1	2.7	5109061	●	5109269	●
<b>200R<sub>1</sub>LE01</b>	2.00	5109053		●	5109244			●			

## BG Series (ID Grooving)

### S-BG (Mogul Bar)

Minimum Bore Diameter 10.0mm

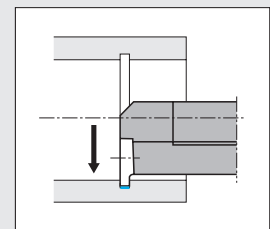
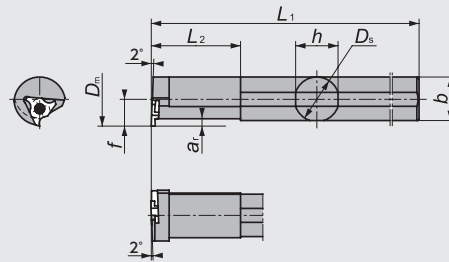


● Right-Hand style shown  
☆ Takes Left-hand insert

Figure-1

### BG

Minimum Bore Diameter 10.0mm



● Right-Hand style shown  
☆ Takes Left-hand insert

Figure-2

## BG Series - Toolholders

Figure	Code No.		Item Number	Stock		Min Bore Dia. (mm) D <sub>m</sub>	Max Depth of cut a <sub>r</sub>	Dimensions (mm)						Groove Width Range (mm) w	Gage insert	Spare Parts	
	R	L		R	L			D <sub>s</sub>	h	b	L <sub>1</sub>	f	L <sub>2</sub>			Clamp Screw	Wrench
1	5854500		<b>S08H-BG<sup>R/L</sup>10D10</b>	●		10.0	1.0	8	7.7	7.85	120	5.0	20	0.50 ~ 2.00	GTG10	LR-S-2.5*6.8	CLR-15S (A)
	5854518		<b>S10K-BG<sup>R/L</sup>10D12</b>	●		12.0		10	9.6	9.8	120	6.0	25				
2	5711585		<b>BG<sup>R/L</sup>08-00S</b>	●		10.0	1.0	8	7.0	7.5	125	5.0	20	0.50 ~ 2.00	GTG10	LR-S-2.5*6.8	CLR-15S (A)
	5711593		<b>08-10S</b>	●		10.0		8	7.0	7.5	125	5.0	20	1.50 ~ 2.00			
	5711601		<b>10-00S</b>	●		12.0	1.0	10	9.0	9.5	150	6.0	25	0.50 ~ 2.00			
	5711619		<b>10-10S</b>	●		12.0		10	9.0	9.5	150	6.0	25	1.50 ~ 2.00			
	5711627		<b>12-00S</b>	●		14.0	2.0	12	11.0	11.5	180	7.0	30	1.00 ~ 2.00	GTG14	LR-S-3*7.8	RLR-20S (B)
	5711635		<b>12-12S</b>	●		14.0		12	11.0	11.5	180	7.0	30	1.75 ~ 2.00			
	5711643		<b>14-00S</b>	●		16.0	2.0	14	13.0	13.5	180	8.0	35	1.00 ~ 2.00			
	5711650		<b>14-12S</b>	●		16.0		14	13.0	13.5	180	8.0	35	1.75 ~ 2.00			
	5536362		<b>16</b>	●		20.0	3.0	16	15.0	15.5	200	10.0	40	1.50 ~ 2.00	GTG20	LR-S-3*7.8	RLR-20S (B)
	5435433		<b>20</b>	●		25.0		20	19.0	19.5	200	12.0	40				

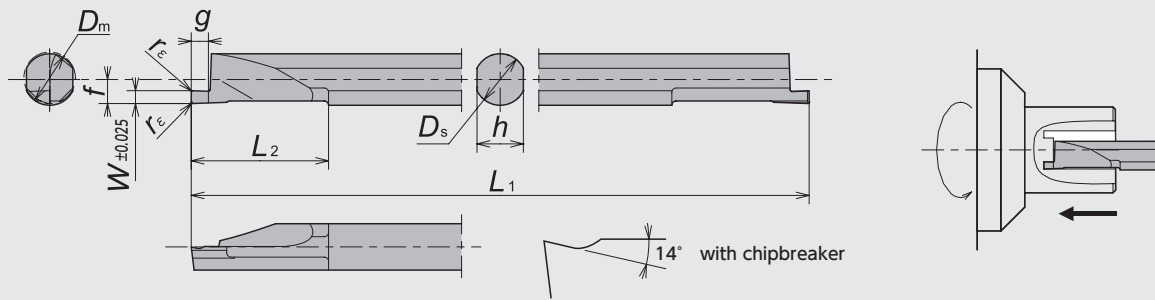
## BG Series - Inserts

Shape	Item Number	Dimensions (mm)						PVD Coated Carbide					
		w	Max Depth of cut	L	r <sub>e</sub>	d <sub>1</sub>	TM4	Stock	ZM3	Stock	QM3	Stock	
<p>● Left-Hand style shown</p>	<b>GTG10050FL005</b>	0.50	1.0	1.2	0.05	5.56	5853130	●					
	<b>10075FL005</b>	0.75					5853114	●					
	<b>10100FL005</b>	1.00					5853098	●					
	<b>10150FL005</b>	1.50					5853080	●					
	<b>10200FL005</b>	2.00					5853072	●					
	<b>GTG10050FL00</b>	0.50					1.0	1.2	0.05	5.56			5514088
	<b>10065FL00</b>	0.65			5514104	●							
	<b>10075FL00</b>	0.75			5376835	●							
	<b>10100FL00</b>	1.00			5376843	●							
	<b>10150FL00</b>	1.50			5376850	●							
<b>10200FL01</b>	2.00			5357884	●								
<b>GTG14100FL00</b>	1.00	2.0	2.2	0.05	7.94			5376868	●				
<b>14150FL00</b>	1.50			0.05			5376876	●					
<b>14200FL01</b>	2.00			0.1			5376884	●					
<b>GTG20150FL</b>	1.50	3.0	3.2	0.2	9.525					5396239	●		
<b>20200FL</b>	2.00									5376991	●		

## SFG Series (ID Face Grooving)

### SFG

Minimum Bore Diameter 6.0mm



Item Number	Min Bore Dia. (mm) $D_m$	Dimensions (mm)								PVD Coated Carbide	
		$W$	$D_s$	$L_1$	$L_2$	$g$	$f$	$h$	$r_\epsilon$	TM4	Stock
<b>SFG060R100B</b>	<b>6.0</b>	1.00	6.0	16.0	16.0	1.5	2.8	5.4	0.05	5813837	●
<b>060R150B</b>		1.50				2.0				5813845	●
<b>060R200B</b>		2.00				3.0				5813852	●
<b>SFG080R100B</b>	<b>8.0</b>	1.00	8.0	80	16.0	1.5	3.8	7.3	0.05	5813878	●
<b>080R150B</b>		1.50				2.0				5813886	●
<b>080R200B</b>		2.00				3.0				5813894	●
<b>080R300B</b>		3.00				3.0				5813902	●

Sleeves ⇒K8

※Caution: Due to the tolerance, it might not fit into the holder which is made by other company.



# Grooving / Side Turning

## FGV Series

### CH-FGV

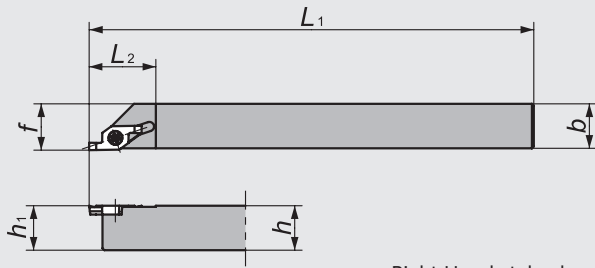
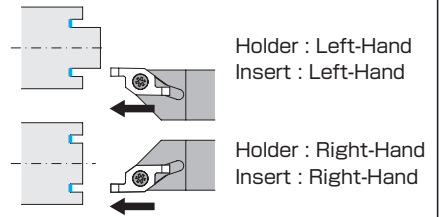


Figure-1

● Right-Hand style shown



Only right hand holder is available when using FBV Insert

### FGV

For Gang-style machine

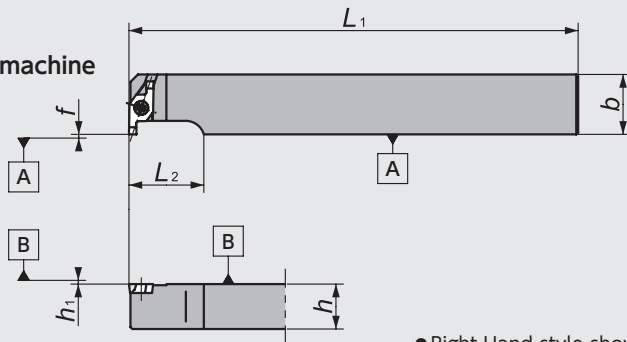
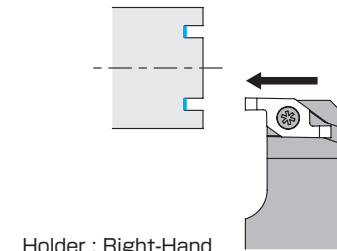


Figure-2

● Right-Hand style shown  
☆ Takes Left-hand insert



Holder : Right-Hand  
Insert : Left-Hand

### DS-FGV

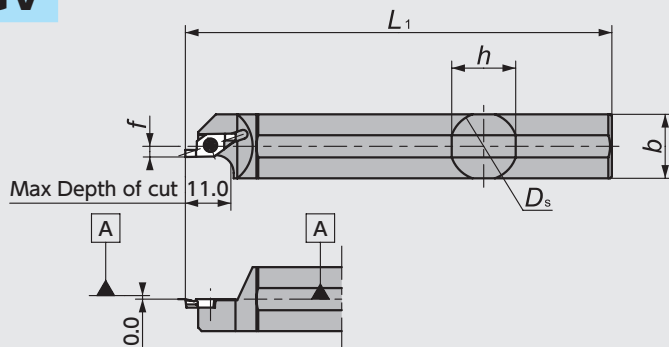
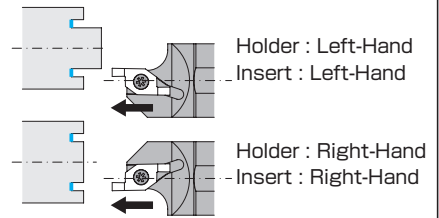


Figure-3

● Right-Hand with FGV style shown



Only right hand holder is available when using FBV Insert

## FGV Series - Toolholders

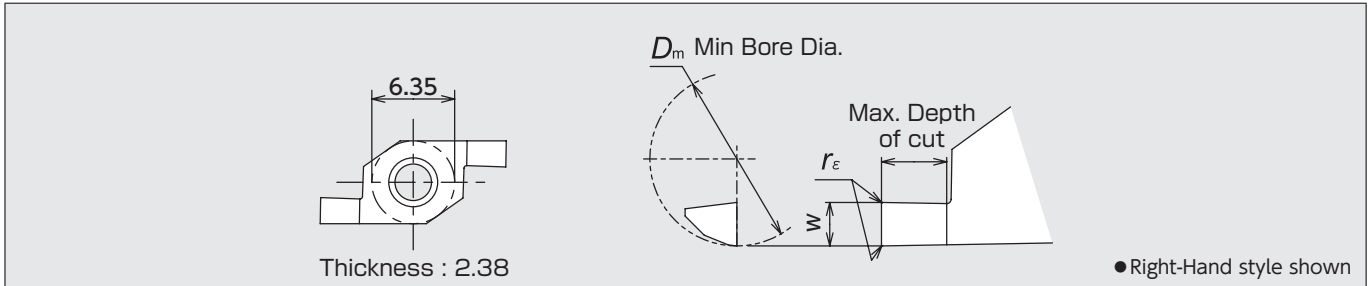
Figure	Code No.		Item Number	Stock		Dimensions (mm)						Gage insert	Spare Parts		
	R	L		R	L	$D_s$	$h$	$b$	$L_1$	$h_1$	$f$		$L_2$	Clamp Screw	Wrench
1	5691068	5691076	CH-FGV <sup>R/L</sup> 1010	●	●	—	10	10	120	10	10.5	18	FGV FBV H39	LRIS-2.5×7	CLR-15S
	5691084	5691100	1212	●	●	—	12	12		12	12.5				
	5691118	5691134	1616	●	●	—	16	16		16	16.5				
2	5691035	—	FGV <sup>R/L</sup> 1016	●	—	—	10	16	120	0.0	0.0	20	FGV <sup>R/L</sup> H39	LRIS-2.5×7	CLR-15S
	5691043	—	1216	●	—	—	12								
	5691050	—	1616	●	—	—	16								
3	5841861	5772439	DS-FGV <sup>R/L</sup> 16-012*	●	●	16	15	15	80	—	3.0	—	FGV FBV H39	LRIS-2.5×7	CLR-15S
	5690938	5690946	19	●	●	19.05	18	18							
	5690953	5690961	20	●	●	20	19	19							
	5690979	5690987	22*	●	●	22	21	21							
	5950381	5950373	22M*	●	●	22	21	21							
	5690995	5691001	25	●	●	25.4	24.5	24.5							
	5918958	5952593	25-MET	●	●	25	24	24							

\*Compatible with 16mm / 22mm round shank DS Series holders DS-Sleeve ⇒G103



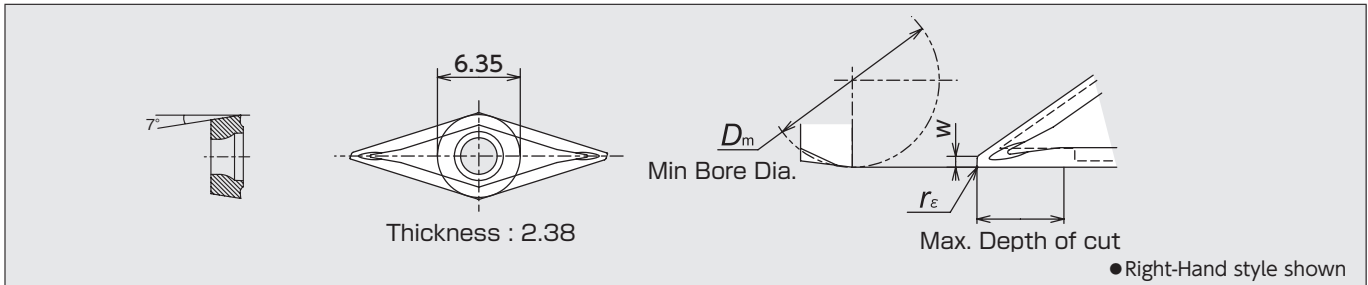
## FGV Series - Inserts

### FGV



Shape	Item Number	Min Bore Dia. (mm) $D_m$	Dimensions (mm)			PVD Coated Carbide	
			w	$r_\epsilon$	Max Depth of cut	TM4	Stock
Right-Hand style shown	FGV100RB00D6 100RB05D6	6.0	1.0	0.00	1.5	5704580	●
				0.05		5704606	●
	FGV150RB00D6 150RB05D6		1.5	0.00	2.0	5704614	●
				0.05		5704622	●
	FGV200RB00D6 200RB05D6		2.0	0.00	3.0	5704630	●
				0.05		5704648	●
Left-Hand style shown	FGV100LB00D6 100LB05D6	6.0	1.0	0.00	1.5	5704572	●
				0.05		5704564	●
	FGV150LB00D6 150LB05D6		1.5	0.00	2.0	5704556	●
				0.05		5704549	●
	FGV200LB00D6 200LB05D6		2.0	0.00	3.0	5704531	●
				0.05		5704523	●

### FBV



Shape	Item Number	Min Bore Dia. (mm) $D_m$	Dimensions (mm)			PVD Coated Carbide	
			w	$r_\epsilon$	Max Depth of cut	TM4	Stock
Right-Hand style shown	FBV40R05D8AM3	8.0	0.5	0.05	4.0	5697453	●
	40R15D8AM3			0.15		5697461	●

Note : Only CH-FGVR and DS-FGVR can take FBV Right hand Insert.