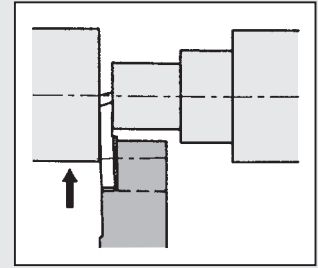
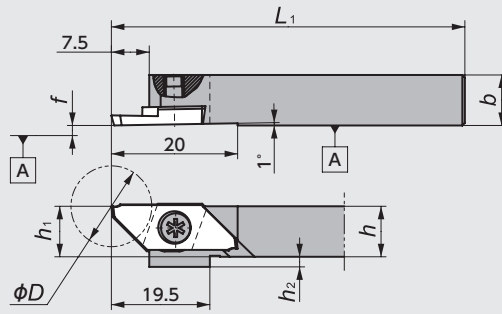


## CTPA Series Max. Cut-off Dia. ~ 16.0mm

### CTPA

Screw accessible from both sides



● Right-Hand style shown

Figure-1

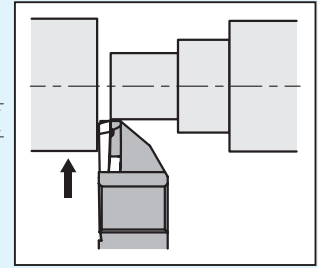
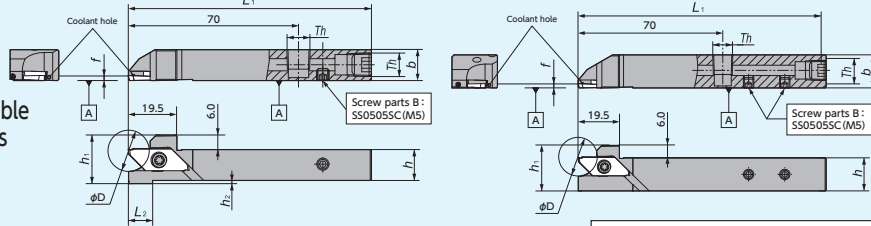
### CTPA-OH2

□12 : CTPA $\frac{R}{L}$ 12H-OH2

□16 : CTPA $\frac{R}{L}$ 16X-OH2

(Coolant through)

Screw accessible from both sides



● Right-Hand style shown

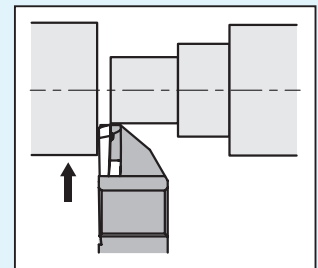
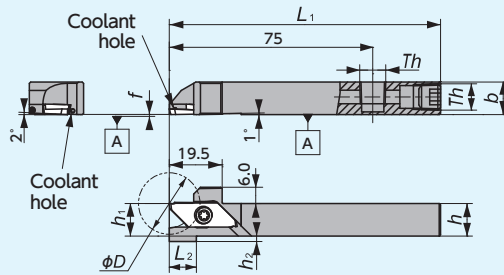
Figure-2 ● Left-Hand holders are designed for Right-Hand machines

Th (Screw parts A)  
1212/1616 size : SPR1/8(Rc1/8)

### CTPA-OH

(Coolant through)

Screw accessible from both sides

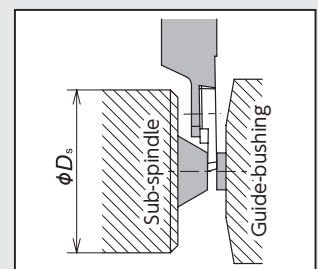
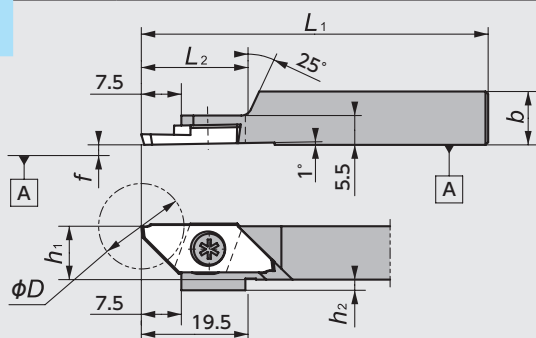


● Right-Hand style shown

Figure-3 ● Left-Hand holders are designed for Right-Hand machines

Th  
□12, □16 : Rc1/8 (PT1/8)

### CTPAR-SUB

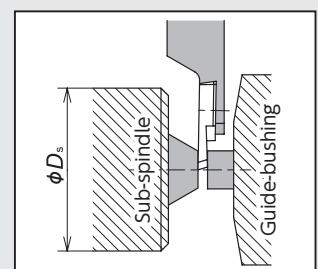
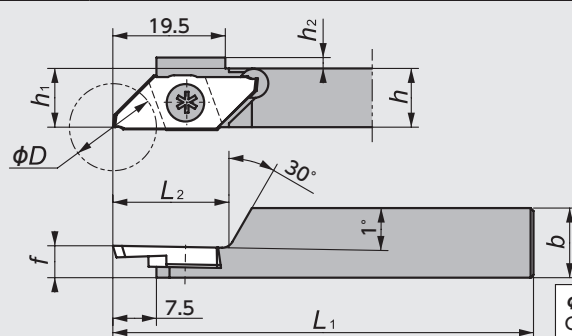


● Right-Hand style shown

Figure-4

ϕDs  
CTPAR-SUB : ϕ36mm

### CTPAL-SUB


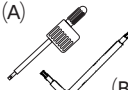


● Left-Hand style shown

Figure-5


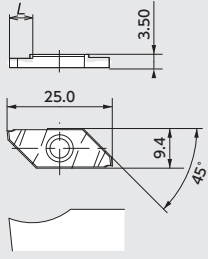
ϕDs  
CTPAL-SUB : ϕ36mm

## CTPA Series - Toolholders

Figure	Code No.		Item Number	Stock		Max. Cut-off Dia (mm) $\phi D$	Dimensions (mm)							Gage insert 	Spare Parts		
	R	L		R	L		h	b	L <sub>1</sub>	h <sub>1</sub>	h <sub>2</sub>	L <sub>2</sub>	f		Clamp Screw		Wrench
															(A)	(B)	(A)
1	5199187	5199153	CTPA $\frac{R}{L}$ 10	●	●	16.0 ※	10	10	120	10	2	—	0.0	CTPA (Cut-off) <b>G82~84</b>  TBPA (Back Turning) <b>G55</b>	LRIS-4*10PW (A)		 (A)  (B)
	5016209	5016217	12GX	●	●		12	12	85	12	0				LRIS-4*12PW (A)	CLR-15S (A)	
	5199195	5199161	12	●	●		16	16	16	16	0				LRIS-4*10 (B)	LLR-25S (B)	
	5199203	5199179	16	●	●		20	20	80	20	0						
	5459540	5459557	20F	●	●												
2	5037932	5037924	CTPA $\frac{R}{L}$ 12H-OH2	●	●	16.0 ※	12	12	100	12	2	10	2.0※	CTPA (Cut-off) <b>G82~84</b>	LRIS-4*12PW (A)		CLR-15S (A)
	5043872	5043864	16X-OH2	●	●		16	16	120	16	0	0	2.0※				
3	5931522	5931530	CTPA $\frac{R}{L}$ 12H-OH	●	●	16.0 ※	12	12	100	12	2	10	2.0※	CTPA (Cut-off) <b>G82~84</b>	LRIS-4*12PW (A)		CLR-15S (A)
	5931548	5931563	16H-OH	●	●		16	16		16	0	0	2.0※				
4	5600770		CTPAR10GX-SUB	●		16.0 ※	10	10	85	10	2	20	0.0	CTPA-FR (N)(V)(NV) <b>G82~84</b>	LRIS-4*5 (B)		LLR-25S (B)
	5454681		12GX-SUB	●			12	12		12	0						
	5570676		12KX-SUB	●			120										
5		5505904	CTPAL10GX-SUB		●	16.0 ※	10	10	85	10	2	5.5	CTPA-FL (N)(K)(NV)(KV) <b>G82~84</b>	LRIS-4*5 (B)		LLR-25S (B)	
		5454699	12GX-SUB		●									20			
		5570684	12KX-SUB		●		12	12		12					0		
		5604871	16GX-SUB		●		16	16		85	16				28		
		5981659	16KX-SUB		●		120										

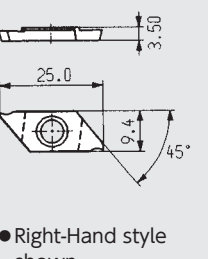
※ Would be changed by insert.

## CTPA Series - Inserts (3D Molded Chipbreaker)

	Item Number	*1 Max. Cut-off Dia (mm) $\phi D$	Dimensions (mm)				PVD Coated Carbide			
			w	A	**2 $\theta$	$r_\epsilon$	ST4	Stock	DM4	Stock
 <p>● Right-Hand style shown</p>	CTPA15FR-CX	16.0	1.5	0.46	16°	0.05	5044763	●	5044755	●
	CTPA15FRN-CX	16.0	1.5	—	0°	0.05	5039458	●	5999685	●
	CTPA15FLK-CX	14.5	1.5	0.46	16°	0.05	5044789	●	5044771	●
	CTPA15FLN-CX	16.0	1.5	—	0°	0.05	5039466	●	5999693	●

※ 1 : Max. cut-off diameter shows when X end point is 0.0. For more information, see page G67.  
 ※ 2 : All angles shown are obtained when insert is set in the holder.

## CTPA Series - Inserts (Ground Chipbreaker : Strengthen edge with land style)

Shape	Item Number	*1 Max. Cut-off Dia (mm) $\phi D$	Dimensions (mm)				PVD Coated Carbide	
			w	A	**2 $\theta$	$r_\epsilon$	ST4	Stock
 <p>● Right-Hand style shown</p>	CTPA15FR-TH	16	1.5	0.46	16°	0.05	5040035	●
	20FR-TH		2.0	0.61			5040076	●
	CTPA15FRN-TH	14.5	1.5	—	0°		5040043	●
	20FRN-TH		2.0	—			5040084	●
	CTPA15FLK-TH	16	1.5	0.46	16°		5040050	●
	20FLK-TH		2.0	0.61			5040092	●
	CTPA15FLN-TH	16	1.5	—	0°		5040068	●
	20FLN-TH		2.0	—			5040100	●

※ 1 : Max. cut-off diameter shows when X end point is 0.0. For more information, see page G67.  
 ※ 2 : All angles shown are obtained when insert is set in the holder.