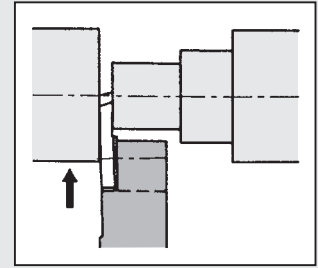
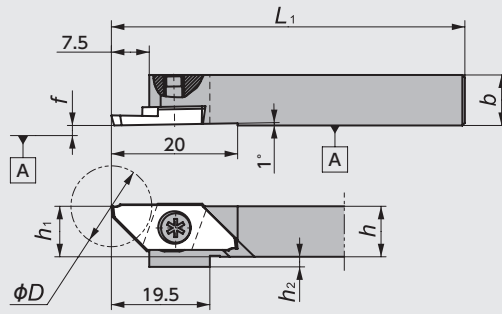


CTPA Series Max. Cut-off Dia. ~ 16.0mm

CTPA

Screw accessible from both sides



● Right-Hand style shown

Figure-1

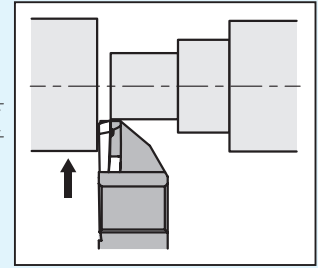
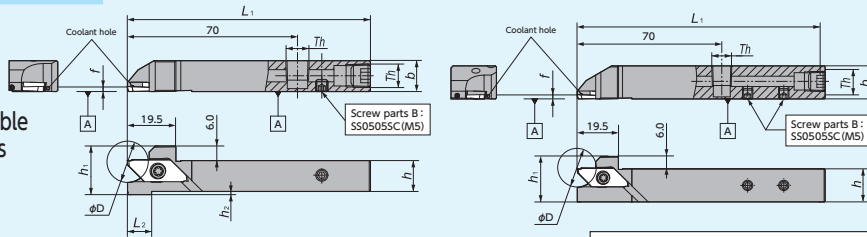
CTPA-OH2

□12 : CTPA $\frac{R}{L}$ 12H-OH2

□16 : CTPA $\frac{R}{L}$ 16X-OH2

(Coolant through)

Screw accessible from both sides



● Right-Hand style shown

Figure-2

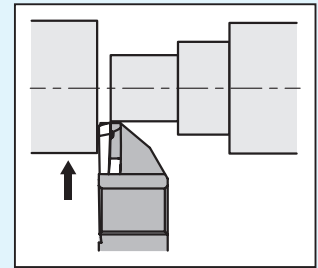
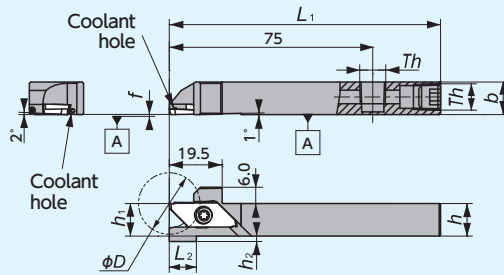
● Left-Hand holders are designed for Right-Hand machines

Th (Screw parts A)
1212/1616 size : SPR1/8(Rc1/8)

CTPA-OH

(Coolant through)

Screw accessible from both sides



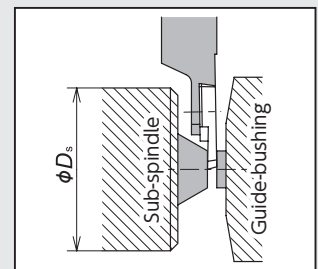
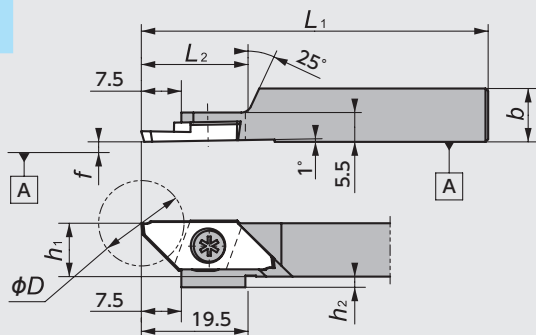
● Right-Hand style shown

Figure-3

● Left-Hand holders are designed for Right-Hand machines

Th
□12, □16 : Rc1/8 (PT1/8)

CTPAR-SUB

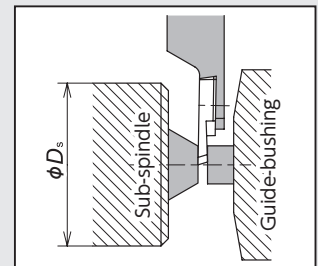
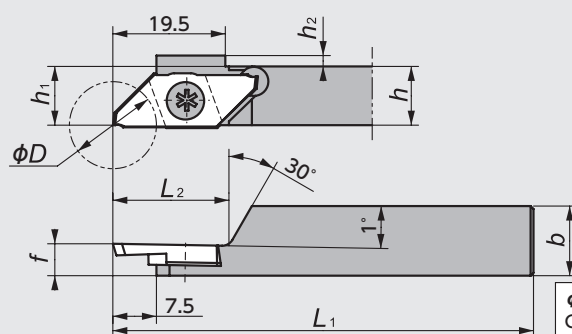


● Right-Hand style shown

Figure-4

ϕD_s
CTPAR-SUB : $\phi 36\text{mm}$

CTPAL-SUB


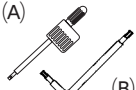

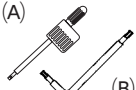






● Left-Hand style shown

Figure-5

ϕD_s
CTPAL-SUB : $\phi 36\text{mm}$

CTPA Series - Toolholders

Figure	Code No.		Item Number	Stock		Max. Cut-off Dia (mm) ϕD	Dimensions (mm)							Gage insert 	Spare Parts		
	R	L		R	L		h	b	L ₁	h ₁	h ₂	L ₂	f		Clamp Screw		Wrench
															(A)	(B)	(A) 
1	5199187	5199153	CTPA $\frac{R}{L}$ 10	●	●	16.0 ※	10	10	120	10	2	—	0.0	 CTPA (Cut-off) G82~84 TBPA (Back Turning) G55	LRIS-4*10PW (A)	 CLR-15S (A)	
	5016209	5016217	12GX	●	●		12	12	85	12	0				LRIS-4*12PW (A)		
	5199195	5199161	12	●	●		16	16	16	16	0				LRIS-4*10 (B)		LLR-25S (B)
	5199203	5199179	16	●	●		20	20	80	20	0						
	5459540	5459557	20F	●	●												
2	5037932	5037924	CTPA $\frac{R}{L}$ 12H-OH2	●	●	16.0 ※	12	12	100	12	2	10	2.0※	 CTPA (Cut-off) G82~84	LRIS-4*12PW (A)	CLR-15S (A)	
	5043872	5043864	16X-OH2	●	●		16	16	120	16	0	0	2.0※				
3	5931522	5931530	CTPA $\frac{R}{L}$ 12H-OH	●	●	16.0 ※	12	12	100	12	2	10	2.0※	 CTPA (Cut-off) G82~84	LRIS-4*12PW (A)	CLR-15S (A)	
	5931548	5931563	16H-OH	●	●		16	16		16	0	0	2.0※				
4	5600770		CTPAR10GX-SUB	●		16.0 ※	10	10	85	10	2	20	0.0	 CTPA-FR (N)(V)(NV) G82~84	LRIS-4*5 (B)	LLR-25S (B)	
	5454681		12GX-SUB	●			12	12		12	0						
	5570676		12KX-SUB	●			120										
5		5505904	CTPAL10GX-SUB		●	16.0 ※	10	10	85	10	2	5.5	 CTPA-FL (N)(K)(NV)(KV) G82~84	LRIS-4*5 (B)	LLR-25S (B)		
		5454699	12GX-SUB		●											20	
		5570684	12KX-SUB		●		12	12		12	0						
		5604871	16GX-SUB		●		16	16		85	16					28	
		5981659	16KX-SUB		●		120										

※ Would be changed by insert.

CTPA Series - Inserts (Ground Chipbreaker)

Shape	Item Number	※1 Max. Cut-off Dia (mm) ϕD	Dimensions (mm)				PVD Coated Carbide					PCD			
			w	A	※2 θ	r_ϵ	ZM3 Stock	QM3 Stock	VM1 Stock	DT4 Stock	PD1 Stock				
	CTPA07FR	8.0	0.7	0.23	16°	0.05	5501242	●							
	10FR	12.0	1.0	0.32			5501218	●							
	15FR	16.0	1.5	0.46			5248075	●	5270020	●	5439328	●	5855077	●	
	20FR	16.0	2.0	0.61			5194113	●	5229596	●	5439310	●	5854997	●	
	CTPA07FRN	8.0	0.7	—	0°	0.05	5512496	●							
	10FRN	12.0	1.0	—			5496880	●							
	15FRN	16.0	1.5	—			5271473	●	5556881	●	5415096	●	5855051	●	
	20FRN	16.0	—	—			5199146	●	5562715	●	5476338	●	5854989	●	
	20FRN-P	16.0	2.0	—			0.1							5781620 (1 corner)	●
	30FRN	3.0	—	—		0.05		5789151	●						
	CTPA07FL	8.0	0.7	0.23	16°	0.05	5501234	●							
	10FL	12.0	1.0	0.32			5501226	●							
	15FL	16.0	1.5	0.46			5342688	●				5855101	●		
	20FL	16.0	2.0	0.61			5199138	●				5855036	●		
	CTPA10FLN	12.0	—	—	0°	0.05	5496898	●							
	10FLND	12.0	1.0	—			5789599	●							
	15FLN	16.0	1.5	—			5286349	●	5562707	●	5365747	●	5855085	●	
	20FLN	16.0	2.0	—			5199120	●	5250964	●	5439351	●	5854971	●	
	20FLN-P	16.0	—	—			0.1							5781646 (1 corner)	●
	30FLN	3.0	—	—		0.05		5782677	●						
	CTPA07FLK	6.5	0.7	0.23	16°	0.05	5505912	●							
	10FLK	11.0	—	0.32			5496906	●							
	10FLKD	16.0	1.0	0.32			5789607	●							
	15FLK	14.5	1.5	0.46			5248083	●	5562699	●	5476320	●	5855093	●	
	20FLK	14.5	2.0	0.61			5199112	●	5250774	●	5439369	●	5855002	●	

● Right-Hand style shown

※ 1: Max. cut-off diameter shows when X end point is 0.0. For more information, see page G67.
 ※ 2: All angles shown are obtained when insert is set in the holder.