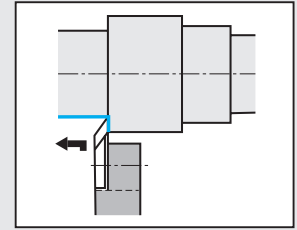
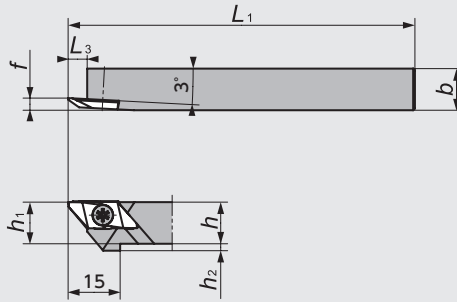


## TBP Series

### TBP

Screw accessible from both sides

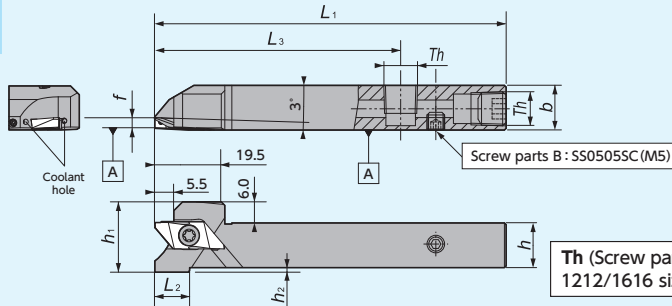


● Right-Hand style shown

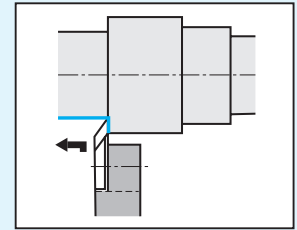
Figure-1

### TBP-OH2

(Coolant through)  
Screw accessible from both sides



Th (Screw parts A)  
1212/1616 size : SPR1/8(Rc1/8)

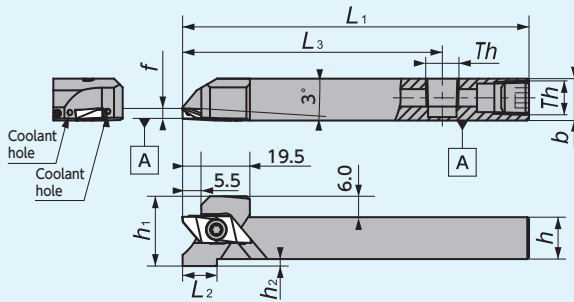


● Right-Hand style shown

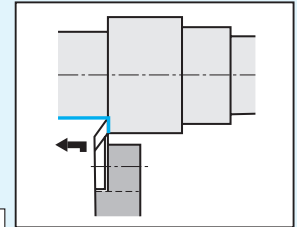
Figure-2

### TBP-OH

(Coolant through)  
Screw accessible from both sides



Th (Screw parts A)  
1012 size : SS0605SC (M6×1.0)  
1212/1616 size : SPR1/8(Rc1/8)

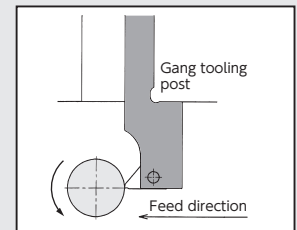
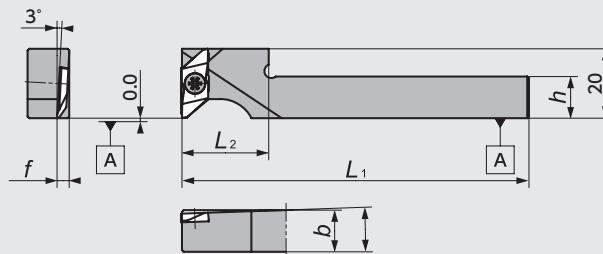


● Right-Hand style shown

Figure-3

### Y-TBP

Screw accessible from both sides

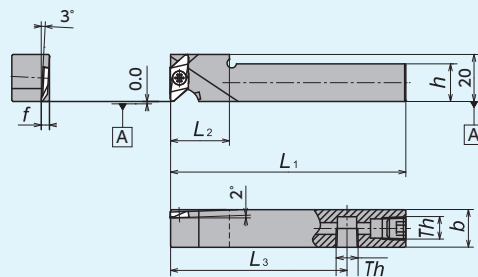


● Right-Hand style shown  
☆ Takes Right-hand insert

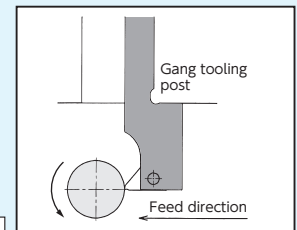
Figure-4

### Y-TBP-OH

(Coolant through)  
Screw accessible from both sides



Th (Screw parts A)  
1212/1616 size : SPR1/8(Rc1/8)

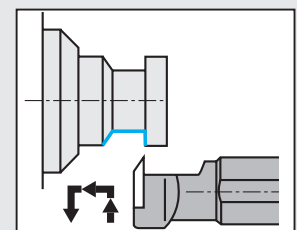
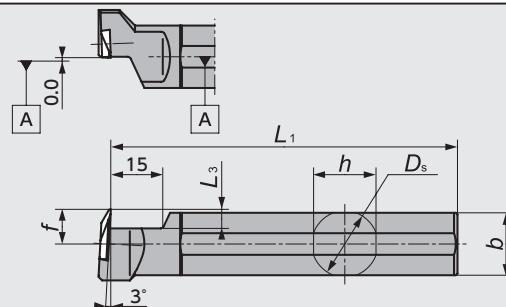


● Right-Hand style shown  
☆ Takes Right-hand insert

Figure-5

### DS-TBP

(DS Holder)



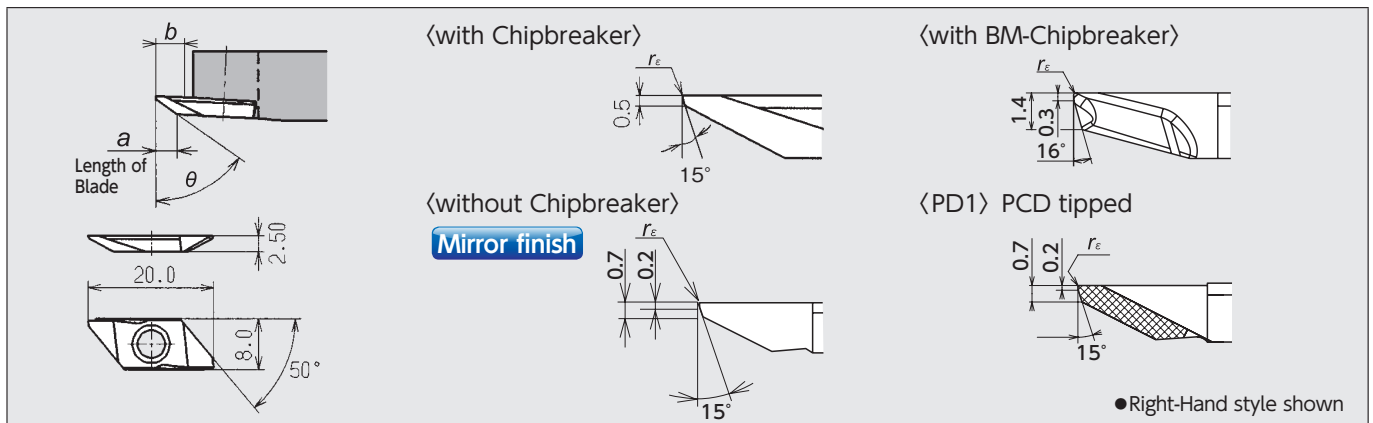
● Left-Hand style shown  
☆ Takes Right-hand insert

Figure-6

## TBP Series - Toolholders

Figure	Code No.		Item Number	Stock		Dimensions (mm)								Gage insert	Spare Parts			
	R	L		R	L	$D_s$	$h$	$b$	$L_1$	$h_1$	$h_2$	$f$	$L_2$		$L_3$	Clamp Screw		Wrench
																(A)	(B)	(A)
1	5133285	5133293	TBP $\frac{R}{L}$ 08	●	●	-	8	10	120	8	4	3.5	-	5.5	TBP	LRIS-4*10PW (A)	CLR-15S (A)	
	5873856		10H	●	●		10	10	100	10	2							
	5090436	5090444	10	●	●		12	12	85	12	0							
	5459771		12GX	●	●		13	13	120	13	0							
	5090451	5090469	12	●	●		16	16	100	16	0							
	5090477	5090485	13	●	●		16	16	120	16	0							
	5459789		16H	●	●													
5270822	5270830	16	●	●														
2	5037965		TBPR $\frac{R}{L}$ 12H-OH2	●		-	12	12	100	12	2	3.5	10	70	TBP	LRIS-4*12PW (A)	CLR-15S (A)	
	5043971		16X-OH2	●			16	16	120	16	0							
3	5925722		TBP $\frac{R}{L}$ 1012H-OH	●		-	10	12	100	10	4	3.5	19	75	TBP	LRIS-4*10PW (A)	CLR-15S (A)	
	5925730		12H-OH	●			12	12		12	2							
	5925748		16H-OH	●			16	16		16	0							
4	5371554		Y-TBP $\frac{R}{L}$ 10S	●		-	10	10	120	-	-	3.5	20	-	TBP	LRIS-4*10PW(A)	CLR-15S (A)	
	5950399		10MS	●			10	10								22		
	5371588		12S	●			12	12								20		
	5950407		12MS	●			12	12								22		
5	5911508		Y-TBP $\frac{R}{L}$ 12HS-OH	●		-	12	12	100	-	-	3.5	20	-	TBP	LRIS-4*12PW (A)	CLR-15S (A)	
	5911516		16H-OH	●			16	16										25
6		5540414	DS-TBP $\frac{R}{L}$ 19	●	●	19.050	18	18	120	-	-	10.0	-	5.5	TBP	LRIS-4*10 (B)	LLR-25S -20*65 (B)	
		5540422	20	●	●	20.000	19	19										
		5540430	25	●	●	25.400	24	24										150

## TBP Series - Inserts



Item Number	Chip-breaker	Length of Blade $a$	Max Depth of cut $b$	Dimensions (mm)		PVD Coated Carbide												Carbide		PCD						
				$\theta$	$r_e$	ST4		ZM3		QM3		VM1		TM4		DT4		DM4		KM1		PD1				
						R	Stock	R	Stock	L	Stock	R	Stock	R	Stock	L	Stock	R	Stock	R	Stock	R	Stock	R	Stock	
TBP72FR05-BM	Yes	3.5	72°	0.05	5039524	●																				
72FR10M-BM				0.08	5039532	●																				
72FR20M-BM				0.18	5039540	●																				
TBP55F $\frac{R}{L}$ 00	Yes	3.0	55°	0.00		5090378	●	5090360	●				5270855	●												
55F $\frac{R}{L}$ 10				0.10		5090352	●	5090386	●				5294301	●												
TBP60F $\frac{R}{L}$ 00				0.00		5090410	●	5090428	●	5494711	●	5275508	●			5710108	●	5850805	●							
60F $\frac{R}{L}$ 05	Yes	3.7	5.3	0.05																						
60F $\frac{R}{L}$ 10				0.10		5090402	●	5090394	●	5362488	●	5269949	●		5706114	●										
60F $\frac{R}{L}$ 10M				※0.08							5486964	●	5476403	●				5850813	●							
60F $\frac{R}{L}$ 20	No	4.8	60°	0.2																						
60F $\frac{R}{L}$ V				0.00		5345715	●					5264940	●	5264957	●									5299276	●	
60FRV00-P				0.00																						
60F $\frac{R}{L}$ V05	No	4.8	60°	0.05									5440680	●											5575675	
60F $\frac{R}{L}$ V10				0.10		5482690	●							5440698	●											5575683
60FRV10-P				0.10																						

※Inserts having "10M" the R code can be used for machining when the component drawing specifies that the radius is less than R=0.1  
Note: All angles shown are obtained when insert is set in the holder.

New Products  
Tool Materials / Selection Guide  
Micrograin Carbide, BIDEINGS, PCD  
PVD Coated Carbide, CBN and Ceramics  
Insert Item List  
General Turning Toolholders  
Unique Swiss Tooling  
Grooving / Side Turning  
Threading  
Shaper  
ID Tooling  
Application Introduction  
Endmills  
Rotating Tools  
Information  
Index

## TBPA Series

### CTPA

Screw accessible from both sides

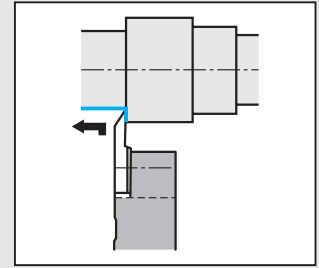
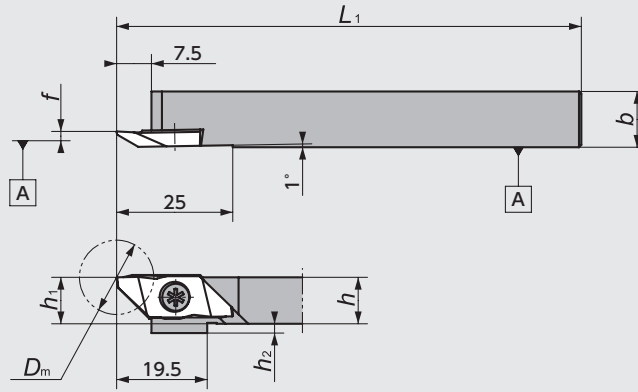


Figure-1

● Right-Hand style shown

### TBPA-OH

(Coolant through)  
Screw accessible from both sides

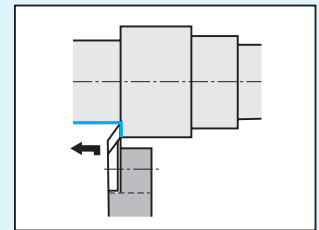
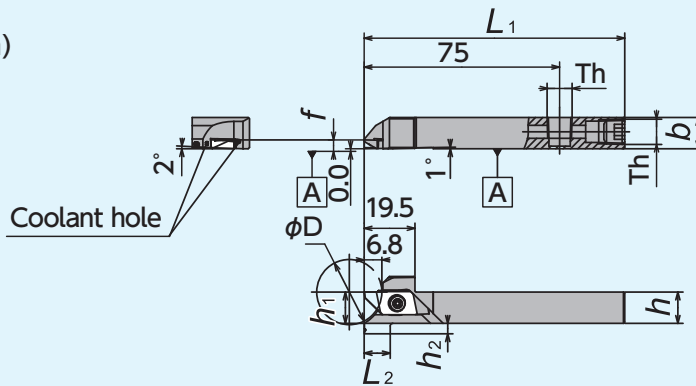


Figure-2

● Left-Hand coolant through holders are designed for Right-Hand machines.

Th □12, □16, □20 : Rc1/8 (PT1/8)

● Right-Hand style shown

### CH-TBPA

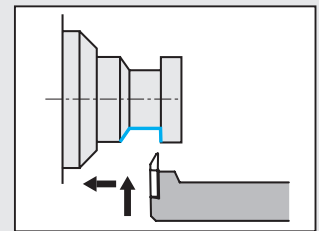
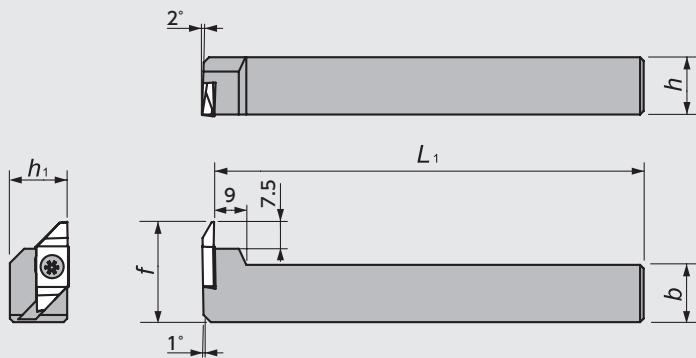


Figure-3

● Left-Hand style shown  
☆ Takes Right-hand insert

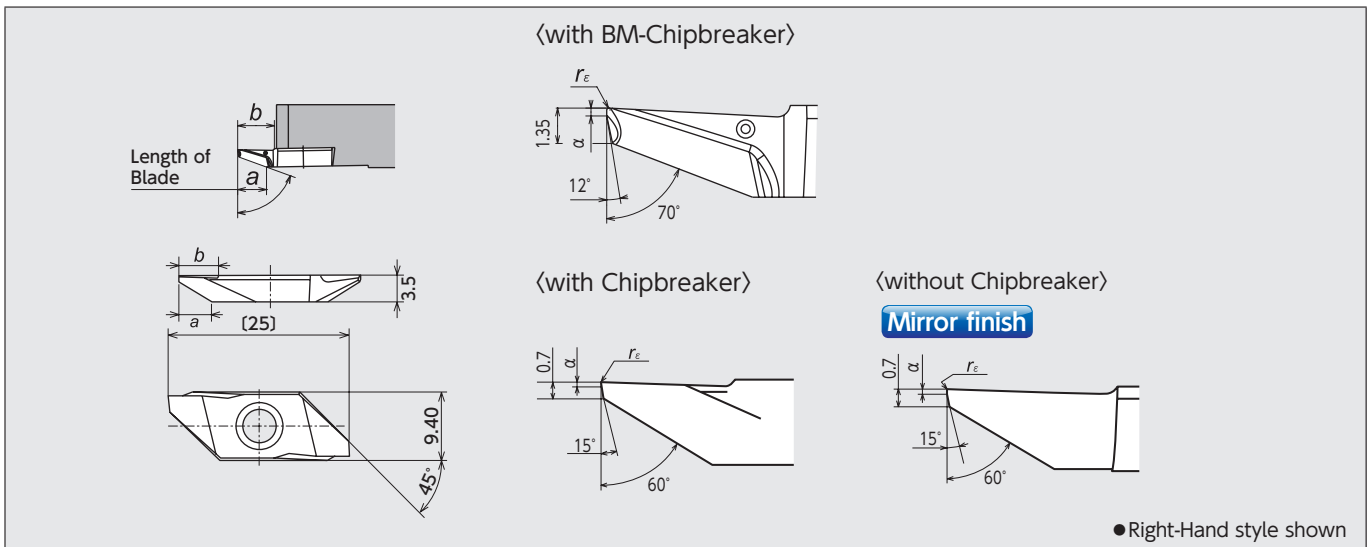
## TBPA Series - Toolholders

Figure	Code No.		Item Number	Stock		Dimensions (mm)						Gage insert	Spare Parts		
	R	L		R	L	h	b	L <sub>1</sub>	h <sub>1</sub>	f	h <sub>2</sub>		D <sub>m</sub>	Clamp Screw	Wrench
1	5199187	5199153	CTPA R <sub>L</sub> 10	●	●	10	10		10				TBPA (Back Turning) CTPA (Cut-off)	LRIS-4*10PW(A) LRIS-4*12PW(A) LRIS-4*10(B)	CLR-15S (A) LLR-25S(B)
	5199195	5199161	12	●	●	12	12	120	12	3.4	0	16			
	5199203	5199179	16	●	●	16	16		16						
	5459540	5459557	20F	●	●	20	20	80	20						

Figure	Code No.	Item Number	Stock	Max Bar Dia φD (mm)	Dimensions (mm)						Gage insert	Spare Parts			
					h	b	L <sub>1</sub>	h <sub>1</sub>	f	L <sub>2</sub>		h <sub>2</sub>	Clamp Screw	Wrench	
2	5932983	TBPAR12H-OH	●	25	12	12		12		3.4	10	4	TBPA (Back Turning)	LRIS-4*12PW	CLR-15S
	5932991	16H-OH	●	35	16	16	100	16	2						
	5945811	20H-OH	●	50	20	20		20	0						

Figure	Code No.		Item Number	Stock		Dimensions (mm)					Gage insert	Spare Parts	
	R	L		R	L	h	b	L <sub>1</sub>	h <sub>1</sub>	f		Clamp Screw	Wrench
3		5884945	CH-TBPA R <sub>L</sub> 16	●	●	16	16	120	16	28	TBPA (Back Turning)	LRIS-4*10	LLR-25S
		5884952	20	●	●	20	20		20	32			

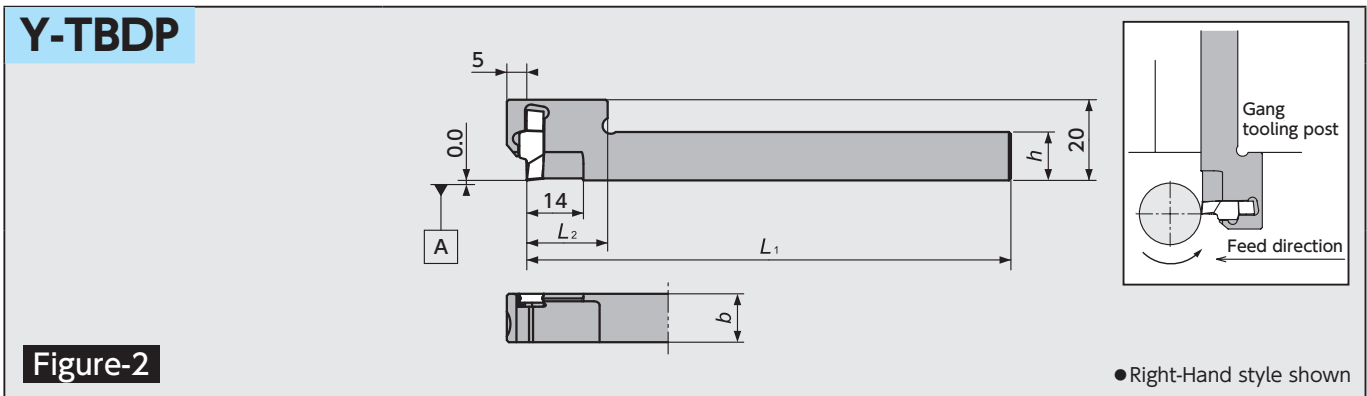
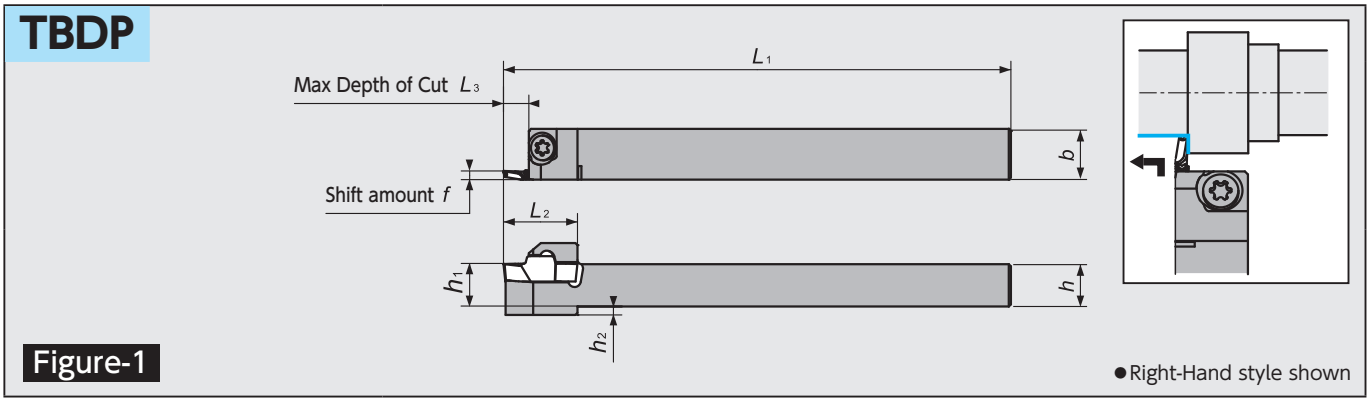
## TBPA Series - Inserts



Item Number	Chip-breaker	Length of Blade a	Max Depth of cut b	Dimensions (mm)		PVD Coated Carbide																	
				α	r <sub>e</sub>	ST4		ZM3		QM3		VM1		TM4		DT4		DM4					
						R	Stock	R	Stock	L	Stock	R	Stock	R	Stock	R	Stock	R	Stock	R	Stock		
TBPA70FR05-BM	Yes	5.5	6.5	0.05	5039557	●											5892583	●		5892591	●		
TBPA70FR10M-BM				0.08	5039565	●													5892567	●		5892575	●
TBPA70FR20M-BM				0.18	5039573	●														5892542	●		5892559
TBPA60FR <sub>L</sub> VB		0.2	0.0		5344833	●	5362538	●				5439344	●					5850847	●				
TBPA60FR <sub>L</sub> PB10		0.1			5344858	●	5362520	●				5379151	●										
TBPA60FR <sub>L</sub> 10M		0.3	*0.08									5486956	●										
TBPA60FR <sub>L</sub> PB10M													5476395	●					5850821	●			
TBPA60FR <sub>L</sub> PB20M																			5850839	●			
TBPA60FR <sub>L</sub> V	No	6.3	6.8	0.2	0.0			5344817	●	5362546	●				5439336	●							

\*Inserts having "10M", "20M" as the R code can be used for machining when the component drawing specifies that the radius is less than R=0.1, R=0.2  
Note: All angles shown are obtained when insert is set in the holder.

## TBDP (Back Duo) Series



## TBDP Series - Toolholders

Figure	Code No.		Item Number	Stock		Dimensions (mm)							Gage insert	Spare Parts		
	R	L		R	L	h	b	L <sub>1</sub>	h <sub>1</sub>	f	L <sub>2</sub>	L <sub>3</sub>		h <sub>2</sub>	Clamp Screw	Wrench
1	5873864		<b>TBDP<sup>R/L</sup> 1012H</b>	●		10	12	100						TBDP	LRIS-4*12	LLR-25S
	5814678	5837265	<b>1012</b>	●	●											
	5810445	5837273	<b>12</b>	●	●	12	12	120	12	2.05	18	3				
	5810452	5837281	<b>16</b>	●	●	16	16		16		19.5	5	0			
	5842414		<b>20</b>	●		20	20		20		19.5					
2	5839139		<b>Y-TBDP<sup>R/L</sup> 12S</b>	●		12	12	120	—	2.05	20	5.0	—			

※Do not tighten clamp screw without installing insert as it may damage the insert pocket.

## TBDP Series - Inserts

Shape	Item Number	Length of Blade a	Dimensions (mm)		PVD Coated Carbide						
			θ	r <sub>ε</sub>	QM3	Stock	TM4	Stock	DM4	Stock	
	<b>TBDP22005R</b>	3.5	80		0.05	5833116	●	5810460	●	5877865	●
	<b>2201MR</b>				0.08	5833132	●	5810486	●	5903125	●
	<b>2202MR</b>				0.18	5833140	●	5810577	●	5902408	●