

TBP Series

TBP

Screw accessible from both sides

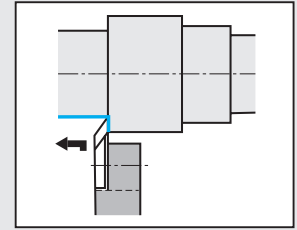
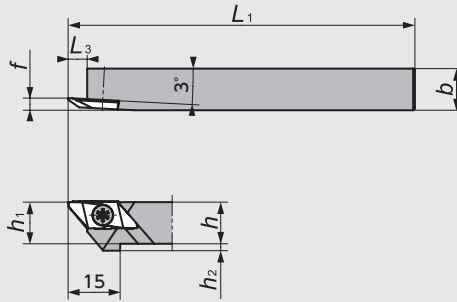
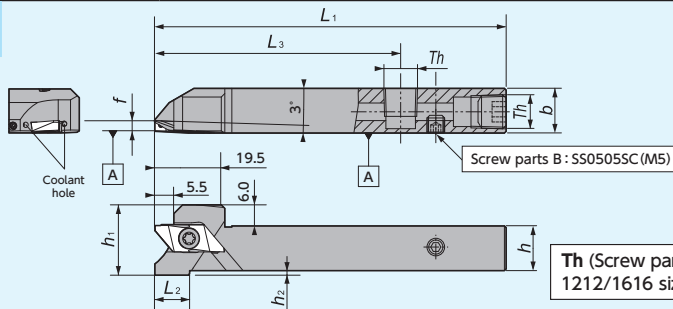


Figure-1

● Right-Hand style shown

TBP-OH2

(Coolant through)
Screw accessible from both sides



Th (Screw parts A)
1212/1616 size : SPR1/8(Rc1/8)

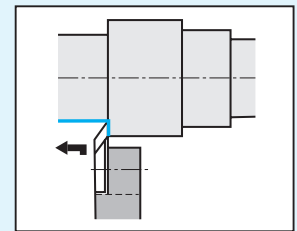
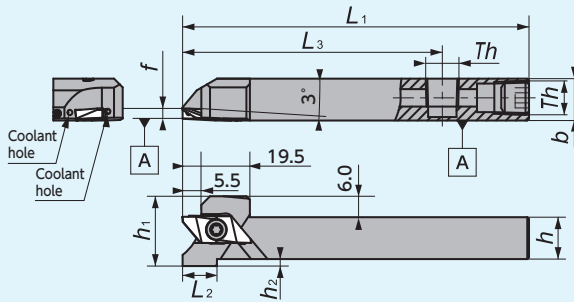


Figure-2

● Right-Hand style shown

TBP-OH

(Coolant through)
Screw accessible from both sides



Th (Screw parts A)
1012 size : SS0605SC (M6×1.0)
1212/1616 size : SPR1/8(Rc1/8)

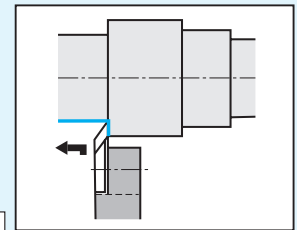


Figure-3

● Right-Hand style shown

Y-TBP

Screw accessible from both sides

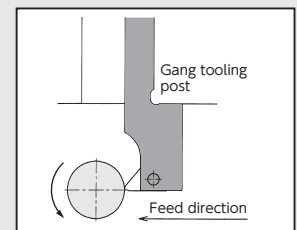
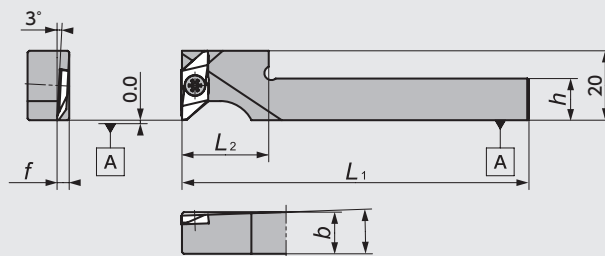
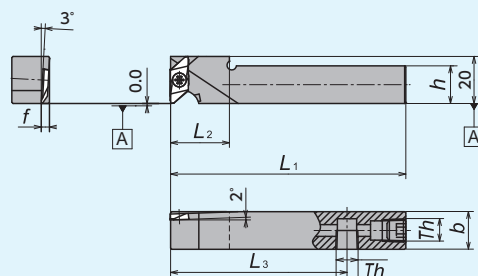


Figure-4

● Right-Hand style shown
☆ Takes Right-hand insert

Y-TBP-OH

(Coolant through)
Screw accessible from both sides



Th (Screw parts A)
1212/1616 size : SPR1/8(Rc1/8)

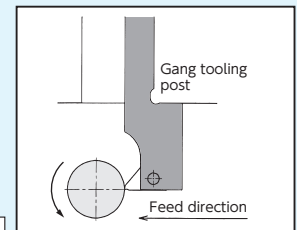


Figure-5

● Right-Hand style shown
☆ Takes Right-hand insert

DS-TBP

(DS Holder)

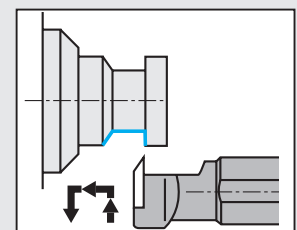
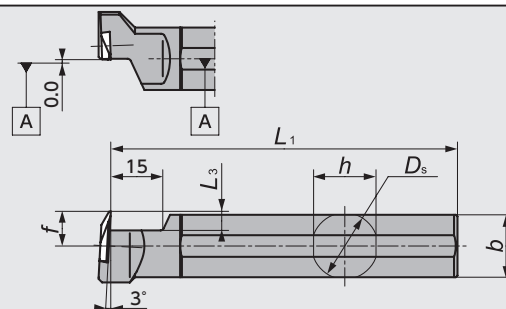


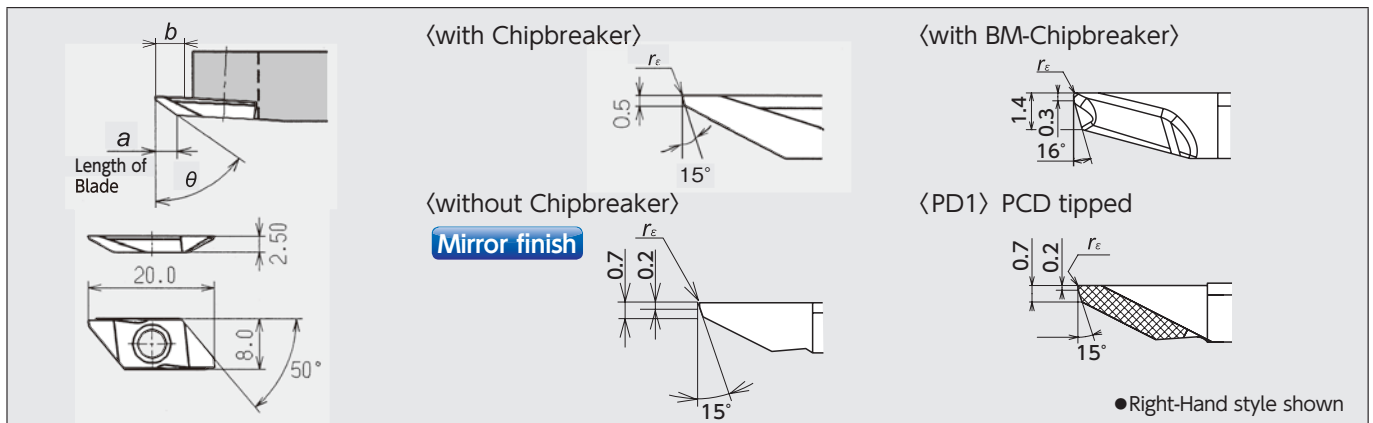
Figure-6

● Left-Hand style shown
☆ Takes Right-hand insert

TBP Series - Toolholders

Figure	Code No.		Item Number	Stock		Dimensions (mm)								Gage insert	Spare Parts			
	R	L		R	L	D_s	h	b	L_1	h_1	h_2	f	L_2		L_3	Clamp Screw		Wrench
																(A)	(B)	(A)
1	5133285	5133293	TBP $\frac{R}{L}$ 08	●	●	-	8	10	120	8	4	3.5	-	5.5	TBP	LRIS-4*10PW (A)	CLR-15S (A)	
	5873856		10H	●	●		10	10	100	10	2							
	5090436	5090444	10	●	●		12	12	85	12	0							
	5459771		12GX	●	●		13	13	120	13	0							
	5090451	5090469	12	●	●		16	16	100	16	0							
	5090477	5090485	13	●	●		16	16	120	16	0							
	5459789		16H	●	●													
5270822	5270830	16	●	●														
2	5037965		TBPR $\frac{R}{L}$ 12H-OH2	●	●	-	12	12	100	12	2	3.5	10	70	TBP	LRIS-4*12PW (A)	CLR-15S (A)	
	5043971		16X-OH2	●	●		16	16	120	16	0							
3	5925722		TBP $\frac{R}{L}$ 1012H-OH	●	●	-	10	12	100	10	4	3.5	19	75	TBP	LRIS-4*10PW (A)	CLR-15S (A)	
	5925730		12H-OH	●	●		12	12		12	2							
	5925748		16H-OH	●	●		16	16		16	0							
4	5371554		Y-TBP $\frac{R}{L}$ 10S	●	●	-	10	10	120	-	-	3.5	20	-	TBP	LRIS-4*10PW(A) LRIS-4*10PW(A) LRIS-4*12PW(A) LRIS-4*10PW(A)	CLR-15S (A)	
	5950399		10MS	●	●		10	10										22
	5371588		12S	●	●		12	12										20
	5950407		12MS	●	●		12	12										22
5	5911508		Y-TBP $\frac{R}{L}$ 12HS-OH	●	●	-	12	12	100	-	-	3.5	20	-	TBP	LRIS-4*12PW (A)	CLR-15S (A)	
	5911516		16H-OH	●	●		16	16										25
6		5540414	DS-TBP $\frac{R}{L}$ 19	●	●	19.050	18	18	120	-	-	10.0	-	5.5	TBP	LRIS-4*10 (B)	LLR-25S -20*65 (B)	
		5540422	20	●	●	20.000	19	19										
		5540430	25	●	●	25.400	24	24										150

TBP Series - Inserts



Item Number	Chip-breaker	Length of Blade a	Max Depth of cut b	Dimensions (mm)		PVD Coated Carbide												Carbide		PCD								
				θ	r_e	ST4		ZM3		QM3		VM1		TM4		DT4		DM4		KM1		PD1						
						R	Stock	R	Stock	L	Stock	R	Stock	R	Stock	L	Stock	R	Stock	R	Stock	R	Stock	R	Stock			
TBP72FR05-BM 72FR10M-BM 72FR20M-BM	Yes	3.5	72°	0.05	5039524	●												5868310	●			5868401	●					
				0.08	5039532	●														5868351	●			5868419	●			
				0.18	5039540	●															5868336	●			5868393	●		
TBP55F $\frac{R}{L}$ 00 55F $\frac{R}{L}$ 10	Yes	3.0	55°	0.00			5090378	●	5090360	●																		
				0.10			5090352	●	5090386	●																		
TBP60F $\frac{R}{L}$ 00 60F $\frac{R}{L}$ 05 60F $\frac{R}{L}$ 10 60F $\frac{R}{L}$ 10M 60F $\frac{R}{L}$ 20 60F $\frac{R}{L}$ V	Yes	3.7	5.3	0.00			5090410	●	5090428	●	5494711	●	5275508	●														
				0.05																								
				0.10			5090402	●	5090394	●	5362488	●	5269949	●														
				※0.08								5486964	●	5476403	●													
				0.2																								
60FRV00-P	No	4.8	60°	0.00			5345715	●					5264940	●	5264957	●												
60FRV05-P	No	4.0		0.05										5440680	●										5781745 (1 corner)			
60FRV10-P	No	4.8		0.10				5482690	●					5440698	●													
60FRV10-P	No	4.0		0.10																					5785118 (1 corner)			

※Inserts having "10M" the R code can be used for machining when the component drawing specifies that the radius is less than R=0.1
Note: All angles shown are obtained when insert is set in the holder.

New Products
 Tool Materials / Selection Guide
 Micrograin Carbide, BIDEIMCS, PCD
 PVD/Coated Carbide, CBN and Ceramics
 Insert Item List
 General Turning Toolholders
 Unique Swiss Tooling
 Grooving / Side Turning
 Threading
 Shaper
 ID Tooling
 Application Introduction
 Endmills
 Rotating Tools
 Information
 Index

TBPA Series

CTPA

Screw accessible from both sides

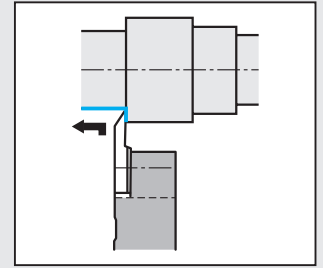
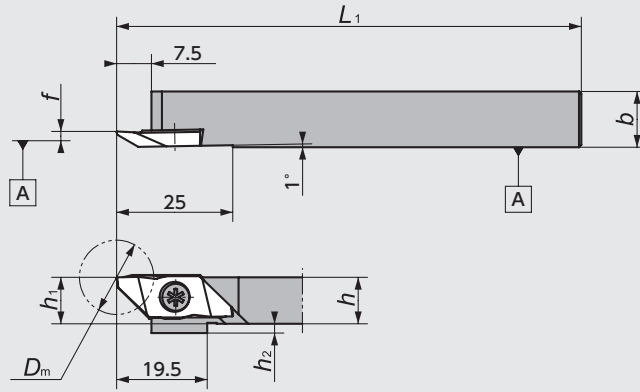


Figure-1

● Right-Hand style shown

TBPA-OH

(Coolant through)
Screw accessible from both sides

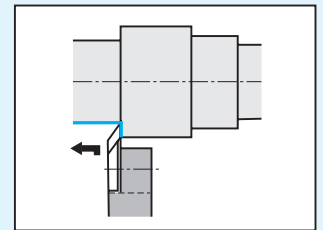
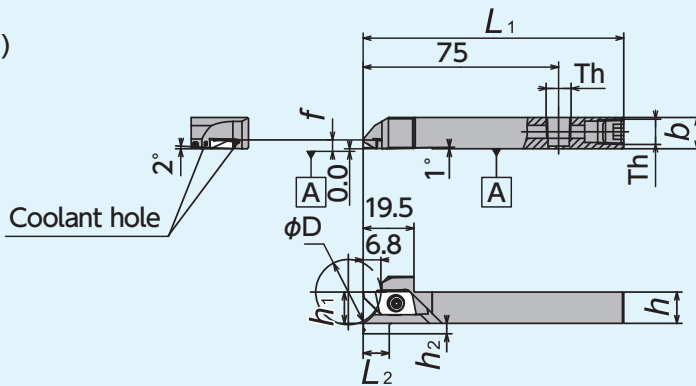


Figure-2

● Left-Hand coolant through holders are designed for Right-Hand machines.

Th □12, □16, □20 : Rc1/8 (PT1/8)

● Right-Hand style shown

CH-TBPA

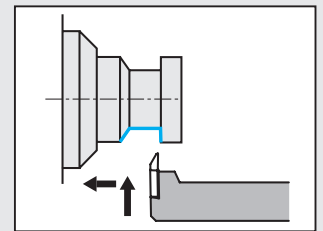
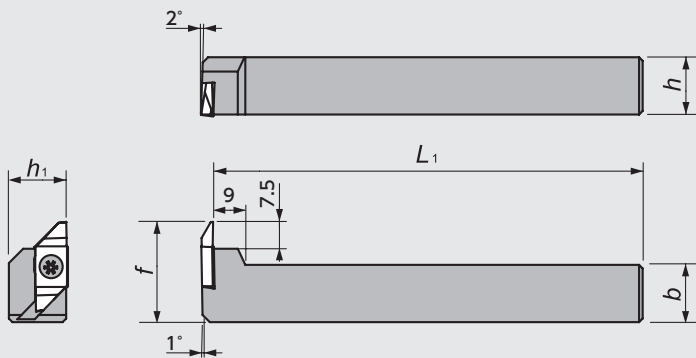


Figure-3

● Left-Hand style shown
☆ Takes Right-hand insert

TBPA Series - Toolholders


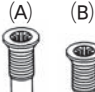

Figure	Code No.		Item Number	Stock		Dimensions (mm)						Gage insert	Spare Parts		
	R	L		R	L	<i>h</i>	<i>b</i>	<i>L</i> ₁	<i>h</i> ₁	<i>f</i>	<i>h</i> ₂		<i>D</i> _m	Clamp Screw	Wrench
1	5199187	5199153	CTPA ^R / _L 10	●	●	10	10		10				 TBPA (Back Turning) CTPA (Cut-off)	 LRIS-4*10PW(A) LRIS-4*12PW(A) LRIS-4*10(B)	 CLR-15S (A) LLR-25S(B)
	5199195	5199161	12	●	●	12	12	120	12	3.4	0	16			
	5199203	5199179	16	●	●	16	16		16						
	5459540	5459557	20F	●	●	20	20	80	20						







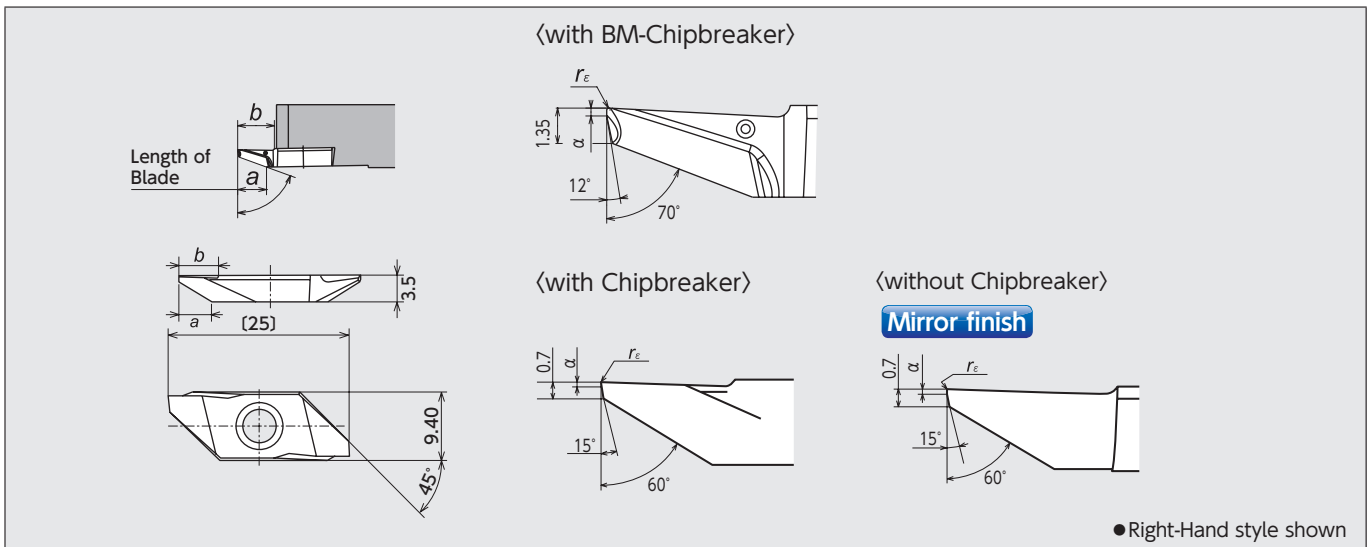
Figure	Code No.	Item Number	Stock	Max Bar Dia ϕD (mm)	Dimensions (mm)						Gage insert	Spare Parts		
					<i>h</i>	<i>b</i>	<i>L</i> ₁	<i>h</i> ₁	<i>f</i>	<i>L</i> ₂		<i>h</i> ₂	Clamp Screw	Wrench
2	5932983	TBPAR12H-OH	●	25	12	12		12			 TBPA (Back Turning)	 LRIS-4*12PW	 CLR-15S	
	5932991	16H-OH	●	35	16	16	100	16	3.4	10				4
	5945811	20H-OH	●	50	20	20		20						

Figure	Code No.		Item Number	Stock		Dimensions (mm)					Gage insert	Spare Parts	
	R	L		R	L	<i>h</i>	<i>b</i>	<i>L</i> ₁	<i>h</i> ₁	<i>f</i>		Clamp Screw	Wrench
3		5884945	CH-TBPA ^R / _L 16	●	●	16	16	120	16	28	 TBPA (Back Turning)	 LRIS-4*10	 LLR-25S
		5884952	20	●	●	20	20		20	32			

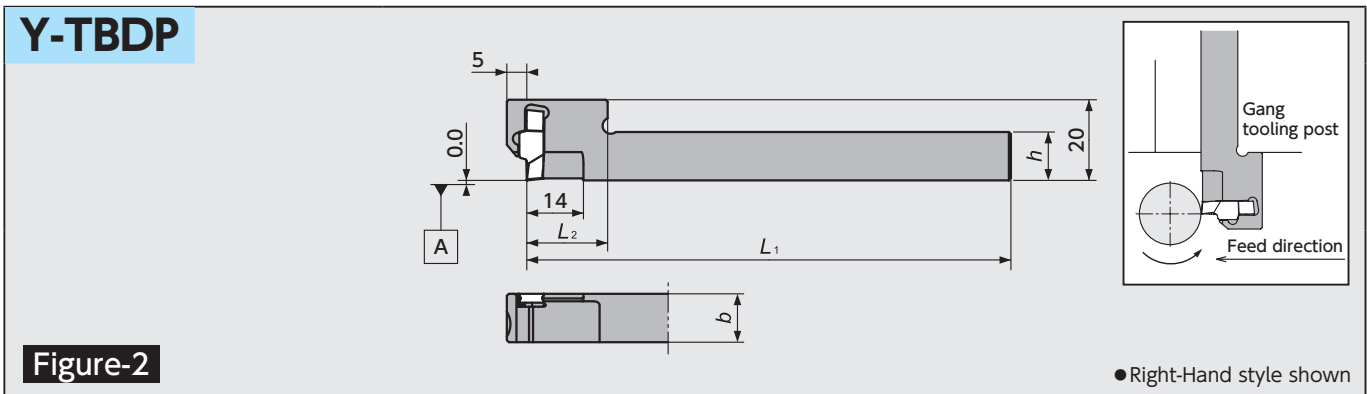
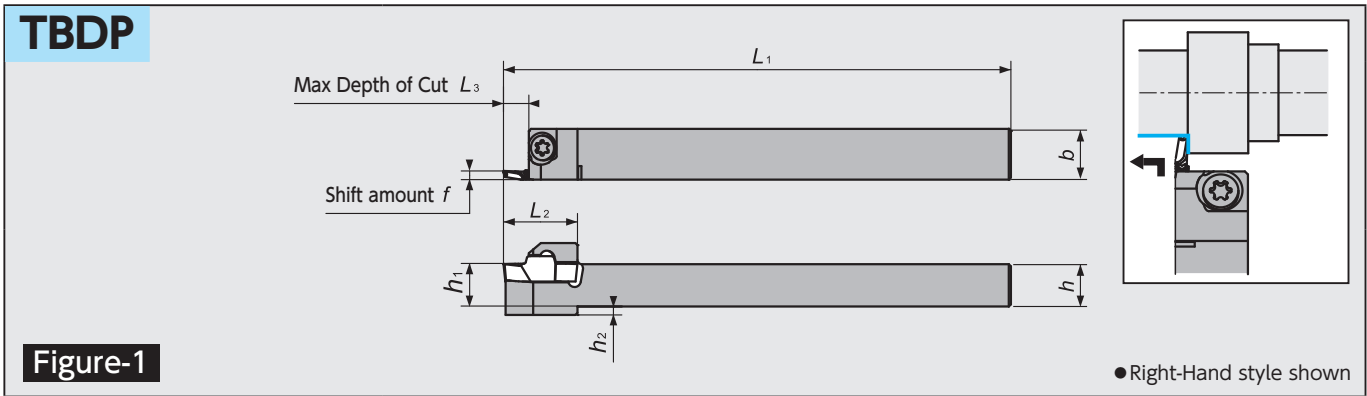
TBPA Series - Inserts



Item Number	Chip-breaker	Length of Blade <i>a</i>	Max Depth of cut <i>b</i>	Dimensions (mm)		PVD Coated Carbide															
				α	<i>r</i> _e	ST4		ZM3		QM3		VM1		TM4		DT4		DM4			
				R	Stock	R	Stock	L	Stock	R	Stock	R	Stock	R	Stock	R	Stock	R	Stock		
TBPA70FR05-BM	Yes	5.5	6.5	0.05	5039557	●										5892583	●		5892591	●	
70FR10M-BM				0.08	5039565	●											5892567	●		5892575	●
70FR20M-BM				0.18	5039573	●											5892542	●		5892559	●
TBPA60F ^R / _L VB		0.2	0.0		5344833	●	5362538	●			5439344	●			5850847	●					
60F ^R / _L PB10		0.1			5344858	●	5362520	●			5379151	●									
60F ^R / _L 10M		0.3	*0.08								5486956	●									
60F ^R / _L PB10M												5476395	●			5850821	●				
60F ^R / _L PB20M																5850839	●				
60F ^R / _L V	No	6.3	6.8	0.2	0.0			5344817	●	5362546	●			5439336	●						

*Inserts having "10M", "20M" as the R code can be used for machining when the component drawing specifies that the radius is less than R=0.1, R=0.2
 Note: All angles shown are obtained when insert is set in the holder.

TBDP (Back Duo) Series



TBDP Series - Toolholders

Figure	Code No.		Item Number	Stock		Dimensions (mm)							Gage insert	Spare Parts		
	R	L		R	L	h	b	L ₁	h ₁	f	L ₂	L ₃		h ₂	Clamp Screw	Wrench
1	5873864		TBDP ^{R/L} 1012H	●		10	12	100						TBDP	LRIS-4*12	LLR-25S
	5814678	5837265	1012	●	●											
	5810445	5837273	12	●	●	12	12	120	12	2.05	18					
	5810452	5837281	16	●	●	16	16		16		19.5	5				
	5842414		20	●		20	20		20		19.5					
2	5839139		Y-TBDP ^{R/L} 12S	●		12	12	120	—	2.05	20	5.0	—			

※Do not tighten clamp screw without installing insert as it may damage the insert pocket.

TBDP Series - Inserts

Shape	Item Number	Length of Blade a	Dimensions (mm)		PVD Coated Carbide						
			θ	r _e	QM3	Stock	TM4	Stock	DM4	Stock	
	TBDP22005R	3.5	80		0.05	5833116	●	5810460	●	5877865	●
	2201MR				0.08	5833132	●	5810486	●	5903125	●
	2202MR				0.18	5833140	●	5810577	●	5902408	●