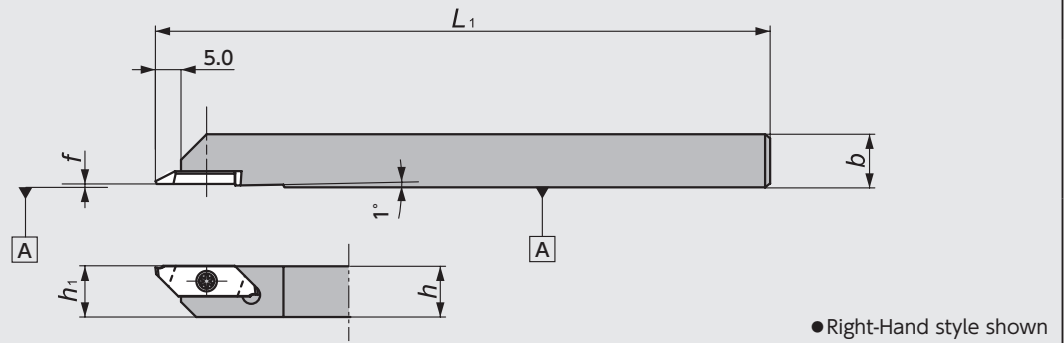
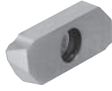




CTPS Series

CTPS

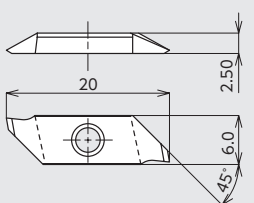
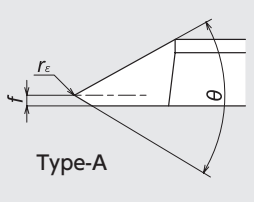
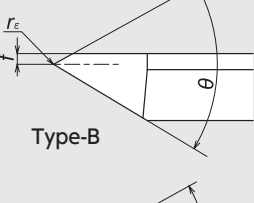


CTPS Series - Toolholders

Code No.	Item Number	Stock		Dimensions (mm)					Gage insert 	Spare Parts	
		R	L	h	b	L ₁	h ₁	f		Clamp Screw 	Wrench 
5346572	CTPS_{R/L} 10	●		10	10	120	10	0.0	TTPS	LRIS-2.5*7	CLR-15S
5397187	12	●		12	12		12				

☆All the inserts can use the same toolholder CTPS series → G98

CTPS Series - Inserts

Shape	Item Number	Dimensions (mm)				Thread Type	PVD Coated Carbide			
		Type	θ	f	r _ε		Pitch	ZM3	Stock	VM1
	TTPS60FR4A	A		0.4	(0.05) MAX Flat	0.2 ~ 0.75	5346648	●	5362710	●
	60FR4B	B					5346663	●	5362728	●
	60FR8A	A	60°	0.8	(0.05)	0.4~1.25	5346689	●	5362744	●
	60FR8B	B					5346671	●	5362736	●
	60FR-N	N		1.25	(0.1)	1.0~1.5	5346655	●	5362751	●

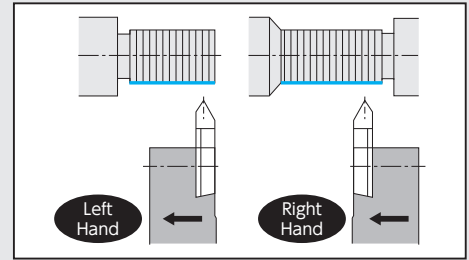
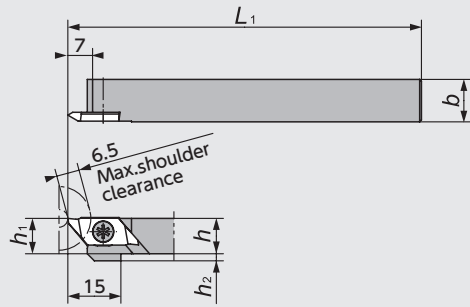
●Right-Hand style shown

☆All angles shown are obtained when insert is set in the holder

Threading

TTP Series

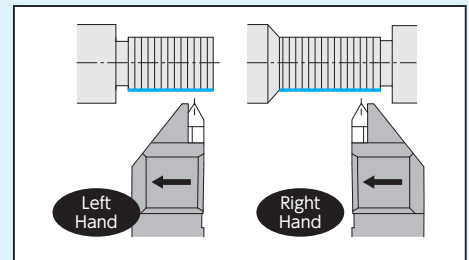
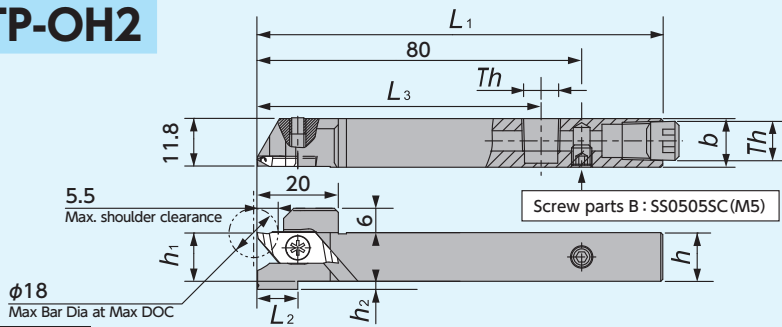
TTP



● Right-Hand style shown

Figure-1

TTP-OH2



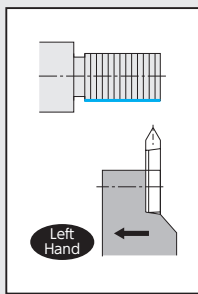
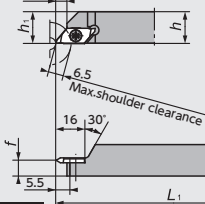
Th(screw parts [A])
1212/1616size : SPR1/8(Rc1/8)

● Right-Hand style shown

Figure-2

TTP-F

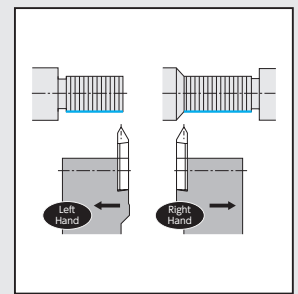
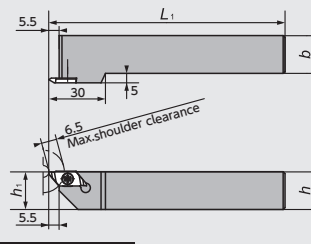
Shift Holder



● Left-Hand style shown

Figure-3

TTP

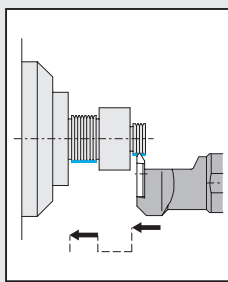
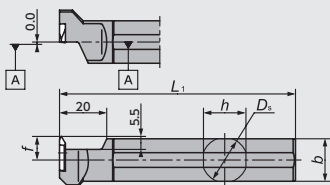


● Right-Hand style shown

Figure-4

DS-TTP

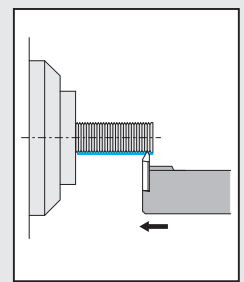
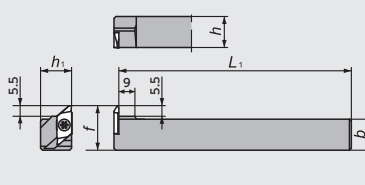
(DS Holder)



● Left-Hand style shown
☆ Takes Right-hand insert

Figure-5

CH-TTP



● Left-Hand style shown
☆ Takes Right-hand insert




Figure-6

TTP Series - Toolholders

Figure	Code No.		Item Number	Stock		Dimensions (mm)						Gage insert	Spare Parts		
	R	L		R	L	D _s	h	b	L ₁	h ₁	f		h ₂	Clamp Screw	Wrench
1	5146238	5146220	TTP L08	●	●	-	8	10	120	8	-	0	TTP I 13	LRIS-4*10PW (A)	CLR-15S (A)
	5145693	5145685	10	●	●		10								
	5459854	5503024	12GX	●	●		12	12	85	12					
	5145701	5145719	12	●	●		120								
	5459862	5459870	16H	●	●		16	16	100	16					
	5191234	5267190	16	●	●		120								
5459573	5459581	20F	●	●	20	20	80	20	LRIS-4*10 (B)	LLR-25S-20*65 (B)					

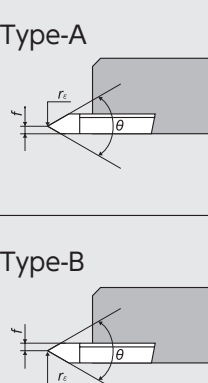


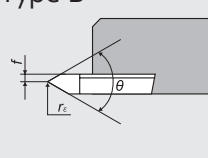


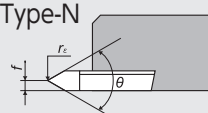

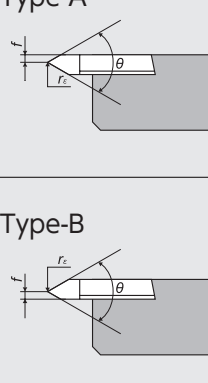


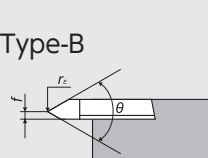


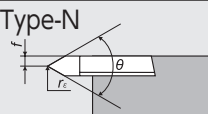

※Compatible with 16mm / 22mm round shank DS Series holders. DS-Sleeve G103

TTP Series - Toolholders

Figure	Code No.		Item Number	Stock		Dimensions (mm)								Gage insert 	Spare Parts		
	R	L		R	L	D _s	h	b	L ₁	h ₁	f	h ₂	L ₂		L ₃	Clamp Screw 	Wrench 
2	5061882	5061890	TTP^{R/L}12H-OH2	●	●	—	12	12	100	12	—	2	10	70	TTP I 13	LRIS-4*12PW	CLR-15S
	5062229	5062237	TTP^{R/L}16X-OH2	●	●	—	16	16	120	16	—	0	—	70			
3		5978150	TTPL12-F06		●	—	12	12	120	12	6	—	—	—	TTP I 13	LRIS-4*6 (B)	LLR-25S (B)
		5978168	TTPL16-F08		●	—	16	16	120	16	8	—	—	—			
4	5989959	5989942	TTP^{R/L}20K-25	●	●	—	20	20	125	20	—	—	—	—	TTP I 13	LRIS-4*10 (B)	LLR-25S (B)
	5989975	5989967	TTP^{R/L}25M-30	●	●	—	25	25	150	25	—	—	—	—			
5		5782149	DS-TTP^{R/L}16F*		●	16.00	15	15	80	—	10.0	—	—	TTP I 13	LRIS-4*10 (B)	LLR-25S-20*65 (B)	
		5278270	19		●	19.05	18	18	120								
		5278296	20		●	20.00	19	19									
		5324033	22*		●	22.00	21	21									
		5830641	25MET		●	25.00	24	24									150
		5317151	25		●	25.40	24	24									150
6		5885090	CH-TTP^{R/L}16		●	—	16	16	120	16	23	—	—	TTP I 13	LRIS-4*10 (B)	LLR-25S (B)	
		5885108	20		●	—	20	20	20	27	—	—	—				

*Compatible with 16mm / 22mm round shank DS Series holders. DS-Sleeve **G103**

TTP Series - Inserts

Shape	Item Number	Dimensions (mm)			Thread Type		Carbide		PVD Coated Carbide								
		θ	f	r _e	Pitch	TPI	KM1	Stock	ZM3	Stock	QM3	Stock					
Right-Hand 	TTP60FR2A	60°	0.2	(0.05) MAX Flat	0.2~0.35	—	—	—	5892278	●	—	—					
	60FR4A												0.4	0.2~0.75	—	—	5145602
	60FR4AS 		5578158	●	—	—	—										
	60FR8A							0.8	(R0.05)	0.4~1.25	—	—		5145537	●	5337340	●
	60FR8AS 	5578117	●	—	—	—											
	TTP55FR8A						55°	—	—	—	48~16	—	—	5145495	●	—	—
	Type-B 	TTP60FR2B	60°	0.2	(0.05) MAX Flat	0.2~0.35	—	—	—	5892302	●	—	—				
		60FR4B												0.4	0.2~0.75	—	—
		60FR4BS 		5578133	●	—	—	5145529	●	5506472	●						
		60FR8B										0.8	(R0.05)		0.4~1.25	—	—
		60FR8BS 	5578091	●	—	—	—										
		TTP55FR8B						55°	—	—	—	48~16	—	—	5145487	●	—
Type-N 	TTP60FR-N	60°	1.25	(R0.1)	1.0~1.5	—	—	—	5145560	●	5474630	●					
	60FR-NS 												5578067	●	—	—	—
	60FR-N02																
Left-Hand 	TTP60FL2A	60°	0.2	(0.05) MAX Flat	0.2~0.35	—	—	—	5892286	●	—	—					
	60FL4A												0.4	0.2~0.75	—	—	5145594
	60FL4AS 		5578174	●	—	—	—										
	60FL8A							0.8	(R0.05)	0.4~1.25	—	—		5145545	●	5601273	●
	60FL8AS 	5578125	●	—	—	—											
	TTP55FL8A						55°	—	—	—	48~16	—	—	5145503	●	—	—
	Type-B 	TTP60FL2B	60°	0.2	(0.05) MAX Flat	0.2~0.35	—	—	—	5912555	●	—	—				
		60FL4B												0.4	0.2~0.75	—	—
		60FL4BS 		5578141	●	—	—	5145511	●	5503438	●						
		60FL8B										0.8	(R0.05)		0.4~1.25	—	—
		60FL8BS 	5578109	●	—	—	—										
		TTP55FL8B						55°	—	—	—	48~16	—	—	5145479	●	—
Type-N 	TTP60FL-N	60°	1.25	(R0.1)	1.0~1.5	—	—	—	5145552	●	5601265	●					
	60FL-NS 												5578083	●	—	—	—
	60FL-N02																

STTN Series

STTN

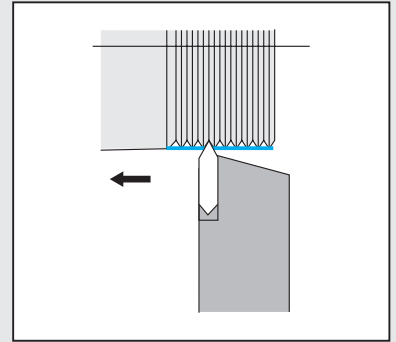
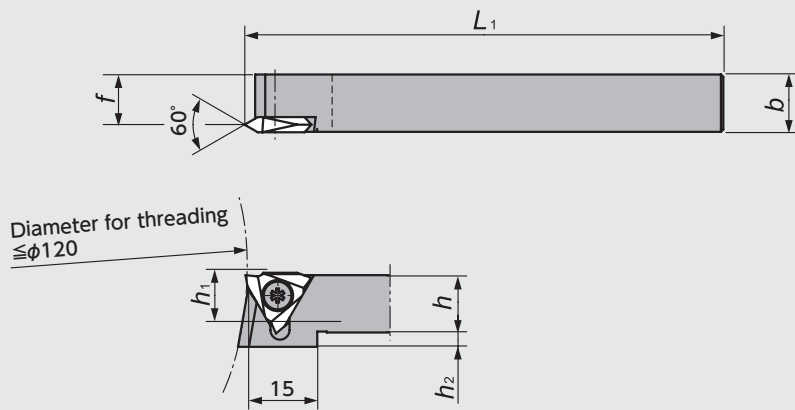


Figure-1

● Right-Hand style shown

NTTB

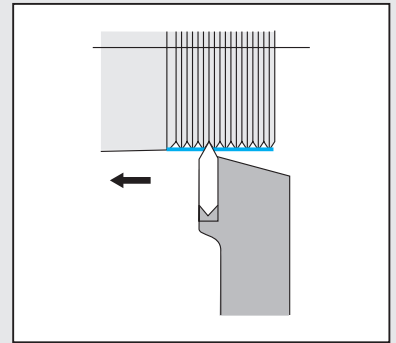
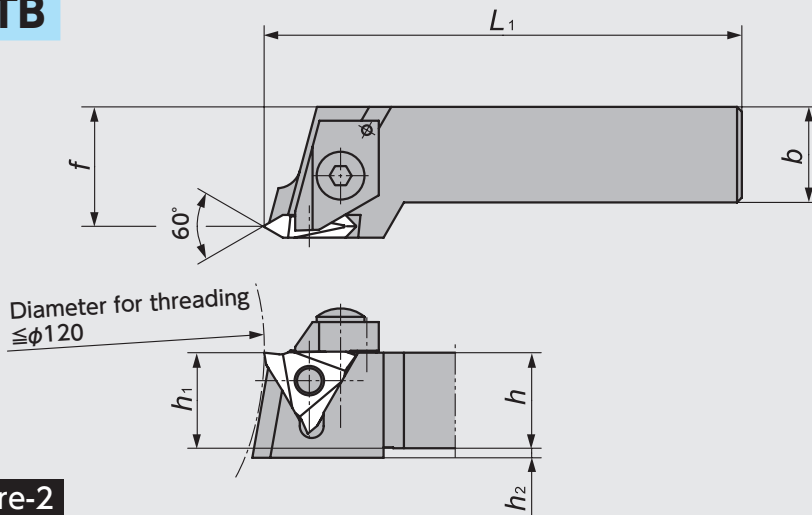


Figure-2

● Right-Hand style shown

DS-STT

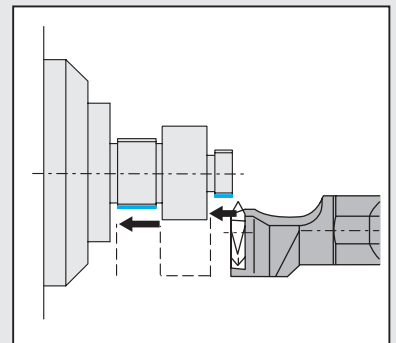
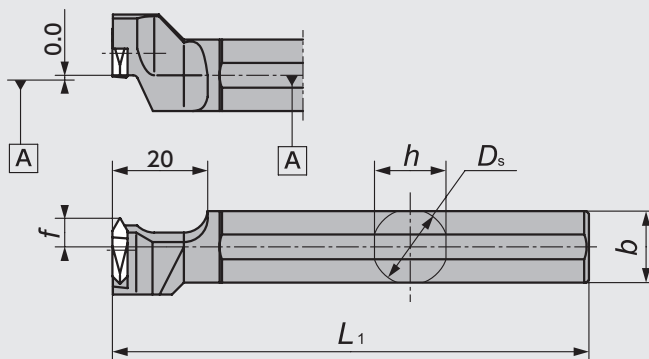


Figure-3

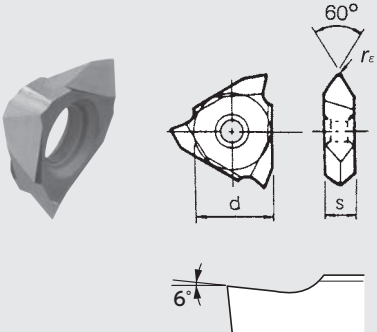
● Left-Hand style shown
☆ Takes Right-hand insert

STTN Series - Toolholders

Figure	Code No.		Item Number	Stock		Dimensions (mm)							Gage insert	Spare Parts				
	R	L		R	L	D_s	h	b	L_1	h_1	f	h_2		Clamp	Clamp Bolt	Spring	Clamp Screw	Wrench
1	5630405		STTN [®] 101032	●			10	10		10	8.5		TTMH	—	—	—	LR-S-4*9	RLR-20S (A)
	5827662		121232	●	—				80			5.0						
	5834817		121232-K	●			12	12		12	10.5							
2	5262530		NTTB [®] 161632	●		—	16	16	120	16	20.0	4.0	TTMH	CPR/L5	AOS-5*25	ASG-5	—	LW-2.5 (B)
	5262548		202032	●			20	20	140	20	25.0	0.0						
3		5348552	DS-STT [®] 14F	●		14.000	13	13	80				TTMH	—	—	—	LR-S-4*9	RLR-20S (A)
		5348099	15H	●		15.875			100	—	6.0	—						
		5341508	16X*	●		16.000	15	15	95									

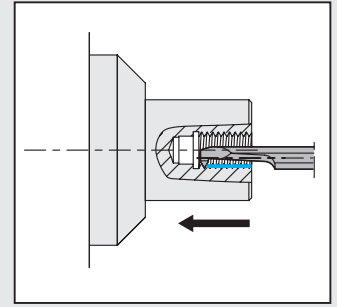
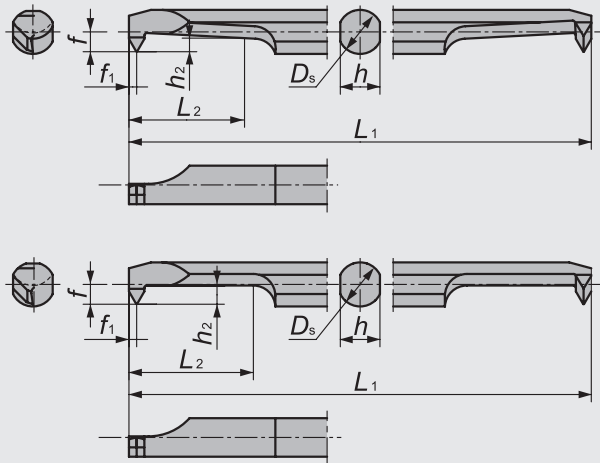
*Compatible with 16mm round shank DS Series holders. DS-Sleeve → G104

STTN Series - Inserts

Shape	Item Number	Dimensions (mm)			Thread Type	PVD Coated Carbide	
		d	s	r_e	Pitch	ZM3	Stock
 <p>●Right-Hand style shown</p>	TTMH3260R010			0.10	0.8~3.0	5120928	●
	3260R015	9.525	3.18	0.15	1.0~3.0	5211826	●
	3260R020			0.20	1.5~3.0	5105697	●

SBT Series ID Threading

SBT Minimum Bore Diameter 2.5mm



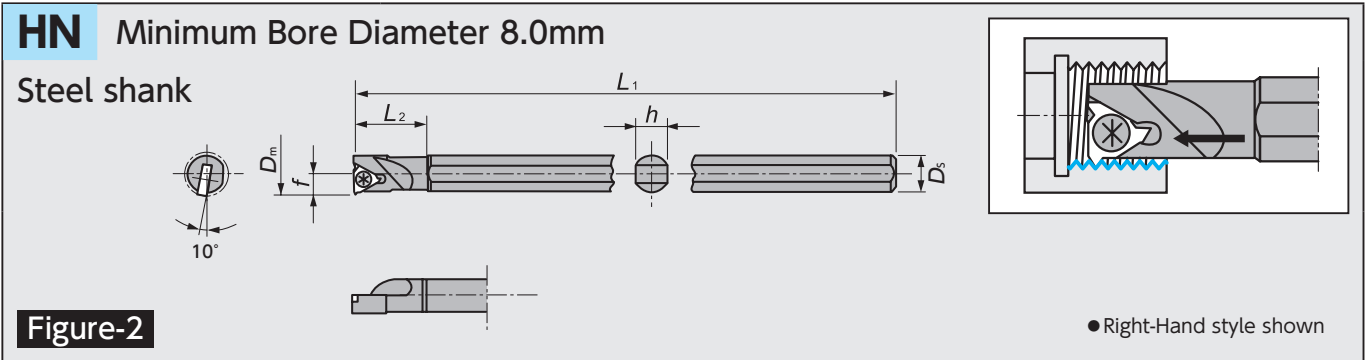
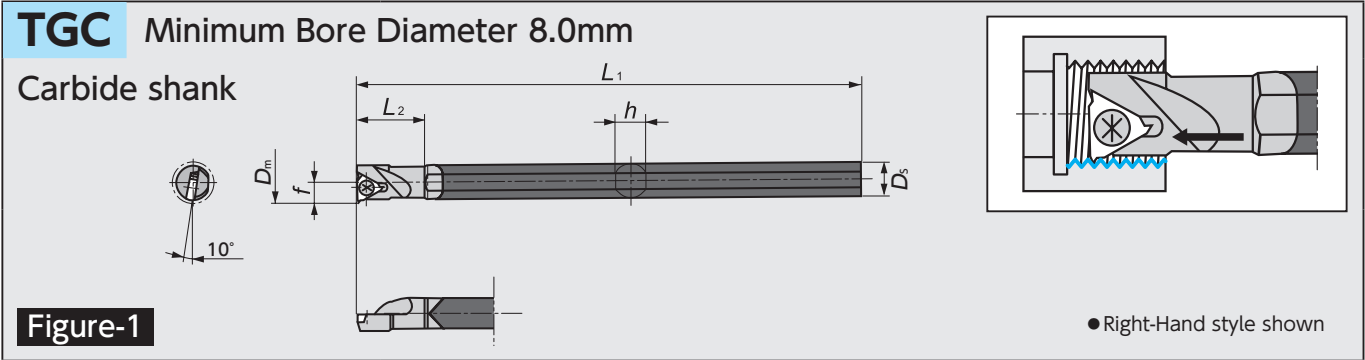
● Right-Hand style shown

Figure	Item Number	Min Bore Dia. chipbreaker	Dimensions (mm)								Thread Type				Recommended Thread Type		PVD Coated Carbide		
			D_s	L_2	h_2	L_1	f	f_1	h	r_ϵ	Metric Thread		UNC/UNF Thread		Metric Thread	UNC Thread	ZM3	Stock	
											Nominal designation of thread	Pitch (mm)	Nominal designation of thread	TPI	Nominal designation of thread				
1	SBT025M3R	2.5	2.5	5.4	0.6	50	1.1	0.4	2.3	0.05 max Flat	M3	0.5	—	—	M3×0.5	—	5784459	●	
	030M4R	3.0	3.0	7.5	0.8	50	1.3	0.5	2.7	0.05 max Flat	M4 ~	0.5~0.8	No.8-32UNC~	36~32	M4×0.7	No.8-32UNC	5784467	●	
	030M4RB	3.0	3.0	7.5	0.8	50	1.3	0.5	2.7	0.05 max Flat	M4 ~	0.5~0.8	No.8-32UNC~	36~32	M4×0.7	No.8-32UNC	5658018	●	
	035M5RB	3.5	Yes	3.5	8.5	1.0	60	1.55	0.55	3.2	0.05 max Flat	M4.5 ~	0.5~1.0	No.10-24UNC~	32~24	M5×0.8	No.10-24UNC No.12-24UNC	5658117	●
	040M6RB	4.0		4.0	10.5	1.2	60	1.8	0.7	3.6	R0.05	M5.5 ~	0.75~1.25	No.12-24UNC~	28~20	M6×1.0	1/4-20UNC	5658000	●
2	SBT050M8RB	5.0	5.0	15.8	1.5	70	2.3	0.8	4.5	R0.05	M7 ~	0.75~1.5	1/4-28UNF~	28~18	M8×1.25	5/16-18UNC	5657994	●	
	060M10RB	6.0	Yes	6.0	18.4	1.8	80	2.8	0.95	5.4	R0.05	M8 ~	0.75~1.75	5/16-24UNF~	28~16	M10×1.5	3/8-16UNC	5685870	●

※Caution: Due to the tolerance, it might not fit into the holder which is made by other company.

Sleeves → K8

TMN Series ID Threading



TMN Series - Toolholders

Figure	Code No.	Item Number	Stock	Min Bore Dia. (mm) D_m	Dimensions (mm)					Gage insert	Spare Parts	
					D_s	h	L_1	f	L_2		Clamp Screw	Wrench
1	5455092	TGC10T06H161R	●	8.0	6	5.5	100	3.8	13.0	TMN06	LR-S-2 * 4.4	CLR-13S
	5455084	08K162R	●	10.0	8	7.0	125	4.7	17.0	TMN08	LR-S-2 * 5.5	
	5455076	10M163R	●	12.0	10	9.0	150	6.0	20.0	TMN09	LRIS-2.2 * 6	
2	5845177	HN59Z-0028	●	8.0	6	5.5	100	3.8	13.0	TMN06	LR-S-2 * 4.4	CLR-13S
	5845193	-0029	●	10.0	8	7.0	125	4.7	17.0	TMN08	LR-S-2 * 5.5	
	5845185	-0030	●	12.0	10	9.0	150	6.0	20.0	TMN09	LRIS-2.2 * 6	

TMN Series - Inserts

Shape	Item Number	Dimensions (mm)			Thread Type		PVD Coated Carbide	
		ϕd	s	r_e	Recommended Pitch	Pitch	ZM3	Stock
<p>● Right-Hand style shown</p>	TMN06FR03	3.97	1.59	0.03	0.5	0.4 ~ 0.75	5228044	●
	08FR03	4.76	2.38				5293642	●
	09FR03	5.56	2.38				5484647	●