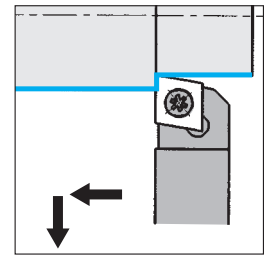
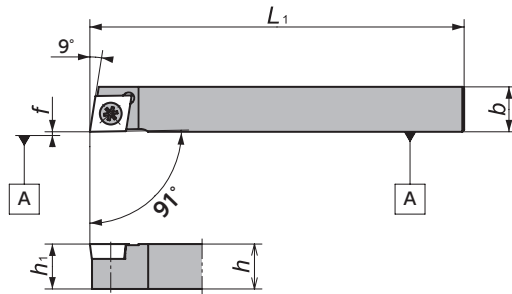


## Toolholders for CC.. Inserts

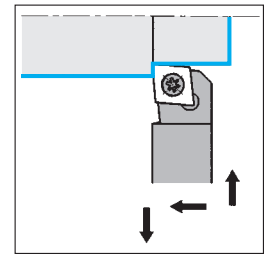
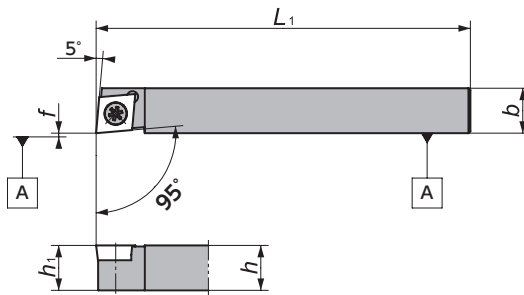
### SCAC-N



Right-Hand style shown

Figure-1

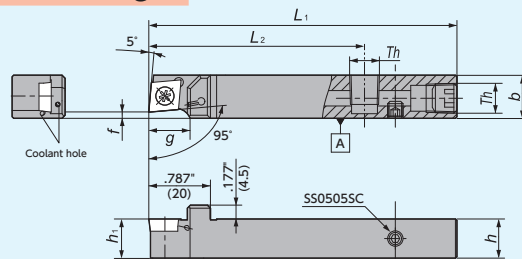
### SCLC-N



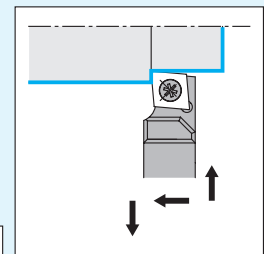
Right-Hand style shown

Figure-2

### SCLC-N-OH2 (Coolant through)



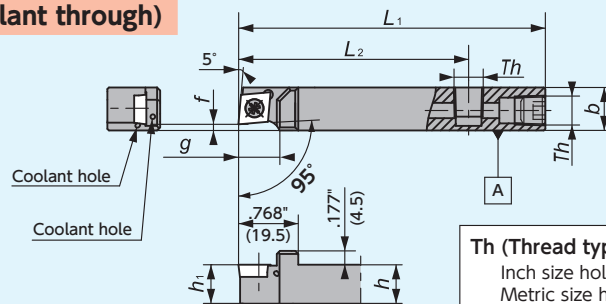
**Th (Thread type)**  
 Inch size holder : NPT1/8  
 Metric size holder: M6, Rc1/8 (PT1/8)



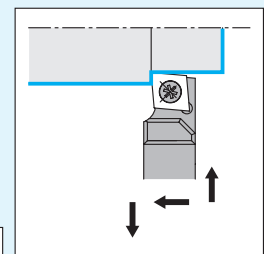
Right-Hand style shown

Figure-3

### SCLC-N-OH (Coolant through)



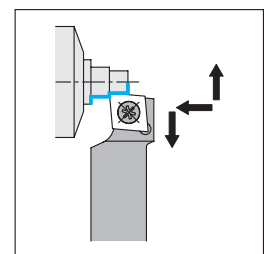
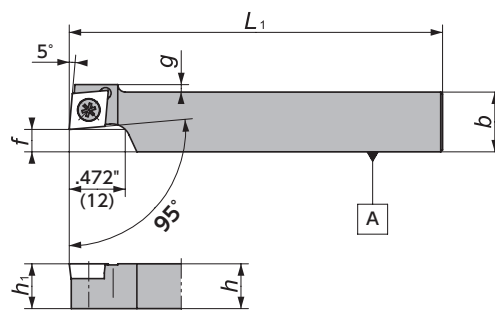
**Th (Thread type)**  
 Inch size holder : NPT1/8  
 Metric size holder: M6, Rc1/8 (PT1/8)



Right-Hand style shown

Figure-4

### SCLC-N-F (Shifted)



Right-Hand style shown

Figure-5

## CC.. Series - Toolholders



### SCAC

Gage Insert	Item Number	Figure	Stock		h		b		h <sub>1</sub>		L <sub>1</sub>		f		g		Clamp Screw	Wrench
			R	L	(Inch)	(mm)	(Inch)	(mm)	(Inch)	(mm)	(Inch)	(mm)	(Inch)	(mm)	(Inch)	(mm)		
CC..21.5..	SCAC%10808X06N	1	○	○	.315	8	.315	8	.315	8	4.724	120	0.0	0.0	-	-	LRIS-2.5 × 7	CLR-15S
	SCAC%11010X06N	1	○	○	.394	10	.394	10	.394	10	4.724	120	0.0	0.0	-	-	LRIS-2.5 × 7	CLR-15S
CC..32.5..	SCAC%11212GX09N	1	○	○	.472	12	.472	12	.472	12	3.346	85	0.0	0.0	-	-	LRIS-4 × 10	LLR-25S
	SCAC%11212X09N	1	○	○	.472	12	.472	12	.472	12	4.724	120	0.0	0.0	-	-	LRIS-4 × 10	LLR-25S

### SCLC

Gage Insert	Item Number	Figure	Stock		h		b		h <sub>1</sub>		L <sub>1</sub>		f		L <sub>2</sub>		g		Th	Clamp Screw	Wrench
			R	L	(Inch)	(mm)	(Inch)	(mm)	(Inch)	(mm)	(Inch)	(mm)	(Inch)	(mm)	(Inch)	(mm)	(Inch)	(mm)			
CC..21.5..	SCLC%1-062C	2	●	●	3/8	3/8	3/8	3/8	3/8	3/8	4.724	120	0.0	0.0	-	-	-	-	-	LRIS-2.5 × 7	CLR-15S
	SCLC%1-082C	2	●	●	1/2	1/2	1/2	1/2	1/2	1/2	4.724	120	0.0	0.0	-	-	-	-	-	LRIS-2.5 × 7	CLR-15S
	SCLC%10808X06N	2	○	●	.315	8	.315	8	.315	8	4.724	120	0.0	0.0	-	-	-	-	-	LRIS-2.5 × 7	CLR-15S
	SCLC%11010X06N	2	○	○	.394	10	.394	10	.394	10	4.724	120	0.0	0.0	-	-	-	-	-	LRIS-2.5 × 7	CLR-15S
CC..32.5..	SCLC%1-083C	2	●	●	1/2	1/2	1/2	1/2	1/2	1/2	4.724	120	0.0	0.0	-	-	-	-	-	LRIS-4 × 10	LLR-25S
	SCLC%1-103C	2	●	●	5/8	5/8	5/8	5/8	5/8	5/8	4.724	120	0.0	0.0	-	-	-	-	-	LRIS-4 × 10	LLR-25S
	SCLC%11010H09N	2	○	○	.394	10	.394	10	.394	10	3.937	100	0.0	0.0	-	-	-	-	-	LRIS-4 × 10	LLR-25S
	SCLC%11010X09N	2	○	○	.394	10	.394	10	.394	10	4.724	120	0.0	0.0	-	-	-	-	-	LRIS-4 × 10	LLR-25S
	SCLC%11212GX09N	2	○	○	.472	12	.472	12	.472	12	3.346	85	0.0	0.0	-	-	-	-	-	LRIS-4 × 10	LLR-25S
	SCLC%11212X09N	2	●	●	.472	12	.472	12	.472	12	4.724	120	0.0	0.0	-	-	-	-	-	LRIS-4 × 10	LLR-25S
	SCLC%11616X09N	2	○	○	.630	16	.630	16	.630	16	4.724	120	0.0	0.0	-	-	-	-	-	LRIS-4 × 10	LLR-25S
CC..21.5..	SCLC%1082H-F079-OH	4	●	●	1/2	.551	14	1/2	1/2	3.937	100	.079	2	2.953	75	.472	12	NPT1/8	LRIS-2.5 × 7	CLR-15S	
CC..32.5..	SCLC%1083H-F079-OH	4	■	■	1/2	.551	14	1/2	1/2	3.937	100	.079	2	2.953	75	.472	12	NPT1/8	LRIS-4 × 10	LLR-25S	
	SCLC%1083H-F079-OH2	3	●	●	1/2	.551	14	1/2	1/2	3.937	100	.079	2	2.756	70	.472	12	NPT1/8	LRIS-4 × 10	LLR-25S	
	SCLC%1103HL-F079-OH	4	●	●	5/8	5/8	14	5/8	5/8	5/8	3.937	100	.079	2	2.953	75	.697	17.7	NPT1/8	LRIS-4 × 10	LLR-25S
	SCLC%1103XL-F079-OH2	3	●	●	5/8	5/8	14	5/8	5/8	5/8	4.724	120	.079	2	2.953	75	.697	17.7	NPT1/8	LRIS-4 × 10	LLR-25S
	SCLC%11014F09N-F02OH	4	○	○	.394	10	.551	14	.394	10	3.150	80	.079	2.0	2.165	55	.472	12	M6 × 1	LRIS-4 × 10	LLR-25S
	SCLC%11214H09N-F02OH	4	□	□	.472	12	.551	14	.472	12	3.937	100	.079	2.0	2.953	75	.472	12	Rc1/8(PT1/8)	LRIS-4 × 10	LLR-25S
	SCLC%11214H09N-F02OH2	3	●	●	.472	12	.551	14	.472	12	3.937	100	.079	2.0	2.756	70	.472	12	Rc1/8(PT1/8)	LRIS-4 × 10	LLR-25S
	SCLC%11616H09N-F02OH	4	○	○	.630	16	.630	16	.630	16	3.937	100	.079	2.0	2.953	75	.697	17.7	Rc1/8(PT1/8)	LRIS-4 × 10	LLR-25S
	SCLC%11616X09N-F02OH2	3	●	●	.630	16	.630	16	.630	16	4.724	120	.079	2.0	2.953	75	.697	17.7	Rc1/8(PT1/8)	LRIS-4 × 10	LLR-25S
	SCLC%1083C-F250	5	●	●	1/2	.984	25	1/2	1/2	1/2	4.724	120	1/4	-	-	0	0	-	-	LRIS-4 × 10	LLR-25S
	SCLC%1083C-F500	5	●	●	1/2	.984	25	1/2	1/2	1/2	4.724	120	1/2	-	-	0	0	-	-	LRIS-4 × 10	LLR-25S
	SCLC%11015X09N-F05	5	○	○	.394	10	.591	15	.394	10	4.724	120	.197	5	-	-	.079	2	-	LRIS-4 × 10	LLR-25S
	SCLC%11020X09N-F10	5	○	○	.394	10	.787	20	.394	10	4.724	120	.394	10	-	-	.079	2	-	LRIS-4 × 10	LLR-25S
	SCLC%11218X09N-F06	5	●	●	.472	12	.709	18	.472	12	4.724	120	.236	6	-	-	0	0	-	LRIS-4 × 10	LLR-25S
	SCLC%11224X09N-F12	5	●	●	.472	12	.945	24	.472	12	4.724	120	.472	12	-	-	0	0	-	LRIS-4 × 10	LLR-25S

Front Turning

● : Stock  
 ● : Stock (Newly added)  
 ■□□ : While stocks last  
 R L : Stock (Right / Left-hand only)  
 R L : Stock (Right / Left-hand only, Newly added)  
 ○ : 1-2 week delivery  
 ○ : 1-2 week delivery (Newly added)  
 ● : Coolant through  
 Inserts → Q13  
 Cutting condition → Q4

## Toolholders for CC.. Inserts

### DS-SCL

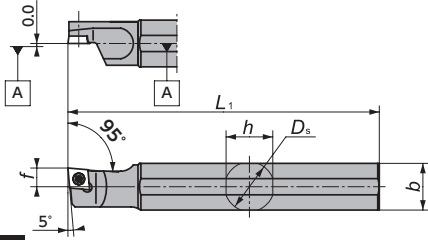


Figure-1

### DS-SCL (Coolant through)

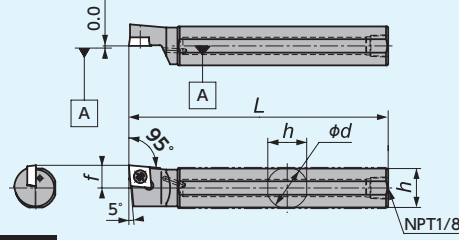
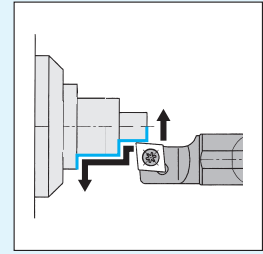


Figure-2



Left-Hand style shown  
Takes Right-hand or Neutral insert

### DS-SCLL-ACH (Adjustable centerline height)

(Parts)

Shank	Wedge	Screw for Wedge
φ .630" (16)	ACH-W18 (5805601)	WS060415-003 (5795539)
φ 3/4" (19.05)		
φ .787" (20)		
φ .866" (22)	ACH-W24 (5805619)	WS060419-004 (5799226)
φ 1" (25.4)		

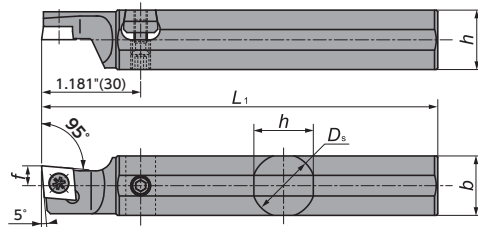
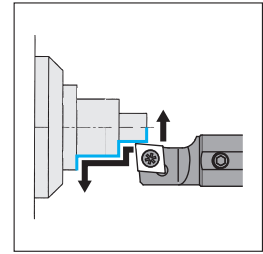


Figure-3



Left-Hand style shown  
Takes Right-hand or Neutral insert

## CC.. Series - Toolholders



### DS-SCL (Takes right-hand or neutral insert)

Gage Insert	Item Number	Figure	Stock		$D_s$ (mm)		$h$ (mm)		$b$ (mm)		$L_1$ (mm)		$f$ (mm)		Clamp Screw	Wrench
			R	L	(Inch)	(mm)	(Inch)	(mm)	(Inch)	(mm)	(Inch)	(mm)	(Inch)	(mm)		
CC..21.5..	DS-SCL%14F-06	1	○	○	.551	14.000	.512	13	.512	13	3.150	80	.236	6.0	LRIS-2.5 × 7	CLR-15S
	DS-SCL%15H-06	1	○	○	5/8	15.875	.591	15	.591	15	3.937	100	.236	6.0	LRIS-2.5 × 7	CLR-15S
	DS-SCL%16F-06	1	○	○	.630	16.000	.591	15	.591	15	3.150	80	.236	6.0	LRIS-2.5 × 7	CLR-15S
	DS-SCL%19-06	1	●	○	3/4	19.050	.709	18	.709	18	4.724	120	.236	6.0	LRIS-2.5 × 7	CLR-15S
	DS-SCL%20X-06	1	○	○	.787	20.000	.748	19	.748	19	3.740	95	.236	6.0	LRIS-2.5 × 7	CLR-15S
	DS-SCL%20-06	1	●	○	.787	20.000	.748	19	.748	19	4.724	120	.236	6.0	LRIS-2.5 × 7	CLR-15S
	DS-SCL%22-06	1	○	○	.866	22.000	.827	21	.827	21	4.724	120	.236	6.0	LRIS-2.5 × 7	CLR-15S
	DS-SCL%25-06MET	1	○	○	.984	25.000	.945	24	.945	24	4.724	120	.236	6.0	LRIS-2.5 × 7	CLR-15S
	DS-SCL%25-06	1	○	○	1	25.400	.945	24	.945	24	5.906	150	.236	6.0	LRIS-2.5 × 7	CLR-15S
CC..32.5..	DS-SCL%14F-09	1	○	○	.551	14.000	.512	13	.512	13	3.150	80	.236	6.0	LRIS-4 × 8	LLR-25S-20 × 65
	DS-SCL%15H-09	1	○	○	5/8	15.875	.591	15	.591	15	3.937	100	.236	6.0	LRIS-4 × 8	LLR-25S-20 × 65
	DS-SCL%16F-09	1	○	○	.630	16.000	.591	15	.591	15	3.150	80	.236	6.0	LRIS-4 × 8	LLR-25S-20 × 65
	DS-SCL%19GX-09	1	○	○	3/4	19.050	.709	18	.709	18	3.346	85	.236	6.0	LRIS-4 × 8	LLR-25S-20 × 65
	DS-SCL%19-09	1	●	○	3/4	19.050	.709	18	.709	18	4.724	120	.236	6.0	LRIS-4 × 8	LLR-25S-20 × 65
	DS-SCLL19-09-004	2	○	○	3/4	19.050	.709	18	.709	18	4.724	120	.413	10.5	LRIS-4 × 8	LLR-25S-20 × 65
	DS-SCL%20X-09	1	○	○	.787	20.000	.748	19	.748	19	3.740	95	.236	6.0	LRIS-4 × 8	LLR-25S-20 × 65
	DS-SCL%20-09	1	●	○	.787	20.000	.748	19	.748	19	4.724	120	.236	6.0	LRIS-4 × 8	LLR-25S-20 × 65
	DS-SCL%22-09	1	○	○	.866	22.000	.827	21	.827	21	4.724	120	.236	6.0	LRIS-4 × 8	LLR-25S-20 × 65
	DS-SCL%22-09-005	2	○	○	.866	22.000	.827	21	.827	21	4.724	120	.472	12.0	LRIS-4 × 8	LLR-25S-20 × 65
	DS-SCL%25-09MET	1	○	○	.984	25.000	.945	24	.945	24	4.724	120	.236	6.0	LRIS-4 × 8	LLR-25S-20 × 65
	DS-SCL%25-09	1	○	○	1	25.400	.945	24	.945	24	5.906	150	.236	6.0	LRIS-4 × 8	LLR-25S-20 × 65
	DS-SCL%32-09	1	○	○	1.260	32.000	1.181	30	1.181	30	5.906	150	.236	6.0	LRIS-4 × 8	LLR-25S-20 × 65
	DS-SCL%16F-09-ACH	3	○	○	.630	16.000	.610	15.5	.610	15.5	3.150	80	.236	6.0	LRIS-4 × 8	LLR-25S-20 × 65
	DS-SCL%19-09-ACH	3	○	○	3/4	19.050	.709	18.0	.709	18.0	4.724	120	.236	6.0	LRIS-4 × 8	LLR-25S-20 × 65
	DS-SCL%20-09-ACH	3	○	○	.787	20.000	.748	19.0	.748	19.0	4.724	120	.236	6.0	LRIS-4 × 8	LLR-25S-20 × 65
	DS-SCL%22-09-ACH	3	○	○	.866	22.000	.827	21.0	.827	21.0	4.724	120	.236	6.0	LRIS-4 × 8	LLR-25S-20 × 65
	DS-SCL%25-09MET-ACH	3	○	○	.984	25.000	.945	24.0	.945	24.0	5.906	150	.236	6.0	LRIS-4 × 8	LLR-25S-20 × 65
DS-SCL%25-09-ACH	3	○	○	1	25.400	.945	24.0	.945	24.0	5.906	150	.236	6.0	LRIS-4 × 8	LLR-25S-20 × 65	

Inserts → Q13

Cutting condition → Q4

## CC.. inserts - Carbide

(inch)	IC	T
CC..21.5	1/4	3/32
CC..32.5	3/8	5/32

### [Molded Chipbreakers]

● : 1st Choice   ● : 2nd choice

Shape	Item Number	ISO Item Number	IC	R	Carbide										CVD	Diamond Coating	Graph				
					PVD Coated																
					ST4	DM4	DT4	QM3	TM4	VM1	ZM3	KM1	CP1	UC1							
					Steel	P	●	●	●	●	●	●	●	●	●	●	●	●	●		
					Stainless Steel	M	●	●	●	●	●	●	●	●	●	●	●	●	●		
					Cast Iron	K															
					Non-Ferrous Material	N					●	●	●	●	●	●	●	●	●		
					Heat Resistant Alloy	S	●	●	●	●	●	●	●	●	●	●	●	●	●	●	
					Hardened Material	H	●	●	●	●	●	●	●	●	●	●	●	●	●	●	
	CCGT 32.501 YL	CCGT 09T300 YL	3/8	.001																	
	CCGT 32.504M YL	CCGT 09T301M YL	3/8	.003	●	●	○	●	○												
	CCGT 32.508M YL	CCGT 09T302M YL	3/8	.007	●	●	○	●	○												
	CCGT 32.51M YL	CCGT 09T304M YL	3/8	.015	●	●	○	●	○												
	CCGT 32.52M YL	CCGT 09T308M YL	3/8	.031	●	●	○	●	○												
	CCGT 21.504M CL	CCGT 060201M CL	1/4	.003	○	○	●	●	●												
	CCGT 21.508M CL	CCGT 060202M CL	1/4	.007	○	○	●	●	●												
	CCGT 32.501 CL	CCGT 09T300 CL	3/8	.001	○	○	○	○	○												
	CCGT 32.504M CL	CCGT 09T301M CL	3/8	.003	○	○	●	●	●												
	CCGT 32.508M CL	CCGT 09T302M CL	3/8	.007	○	○	●	●	●												
	CCGT 21.501 FNAM3	CCGT 060200 FNAM3	1/4	.001			●	●	○	○											
	CCGT 21.504M FNAM3	CCGT 060201M FNAM3	1/4	.003	○		●	●	○	○											
	CCGT 21.508M FNAM3	CCGT 060202M FNAM3	1/4	.007	○		●	●	○	○											
	CCGT 21.508 FNAM3	CCGT 060202 FNAM3	1/4	.008						○	○										
	CCGT 21.51M FNAM3	CCGT 060204M FNAM3	1/4	.015	○		●	●	○	○											
	CCGT 32.501 FNAM3	CCGT 09T300 FNAM3	3/8	.001			●	●	○	○											
	CCGT 32.504M FNAM3	CCGT 09T301M FNAM3	3/8	.003	○		●	●	○	○	○										
	CCGT 32.508M FNAM3	CCGT 09T302M FNAM3	3/8	.007	○		●	●	○	○	○										
	CCGT 32.508 FNAM3	CCGT 09T302 FNAM3	3/8	.008						○	○										
	CCGT 32.51M FNAM3	CCGT 09T304M FNAM3	3/8	.015	○		●	●	○	○	○										
	CCGT 32.51 FNAM3	CCGT 09T304 FNAM3	3/8	.016						○	○										
	CCGT 32.52 FNAM3	CCGT 09T308 FNAM3	3/8	.031						○	○										
	CCMT 21.508 FNAM3	CCMT 060202 FNAM3	1/4	.008		○															
	CCMT 21.51 FNAM3	CCMT 060204 FNAM3	1/4	.016		○															
	CCMT 32.508 FNAM3	CCMT 09T302 FNAM3	3/8	.008		○															
CCMT 32.51 FNAM3	CCMT 09T304 FNAM3	3/8	.016		○																
CCMT 32.52 FNAM3	CCMT 09T308 FNAM3	3/8	.031		○																
	CCGT 21.501 AZ7	CCGT 060200 AZ7	1/4	.001					○												
	CCGT 21.504M AZ7	CCGT 060201M AZ7	1/4	.003					○												
	CCGT 21.508M AZ7	CCGT 060202M AZ7	1/4	.007					○												
	CCGT 32.501 AZ7	CCGT 09T300 AZ7	3/8	.001		○	○	●	○		○										
	CCGT 32.504M AZ7	CCGT 09T301M AZ7	3/8	.003		○	○	●	○		○										
	CCGT 32.508M AZ7	CCGT 09T302M AZ7	3/8	.007		○	○	●	○		○										
	CCGT 32.51M AZ7	CCGT 09T304M AZ7	3/8	.015		○	○	●	○		○										

Front Turning

Holders → **Q10**

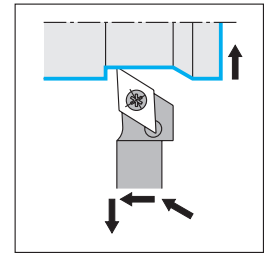
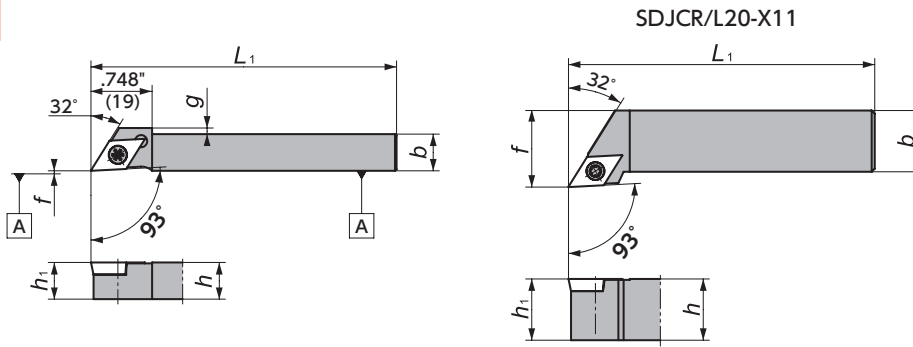
Cutting condition → **Q4**

Chipbreaker → **P20**

● : Stock   ● : Stock (Newly added)   ■□□□ : While stocks last   R L : Stock (Right / Left-hand only)   R L : Stock (Right / Left-hand only, Newly added)   ○ : 1-2 week delivery   ○ : 1-2 week delivery (Newly added)   ● : Coolant through   (R/L) : 1-2 week delivery (Right / Left-hand only)   (R/L) : 1-2 week delivery (Right / Left-hand only, Newly added)

## Toolholders for DC.. Inserts

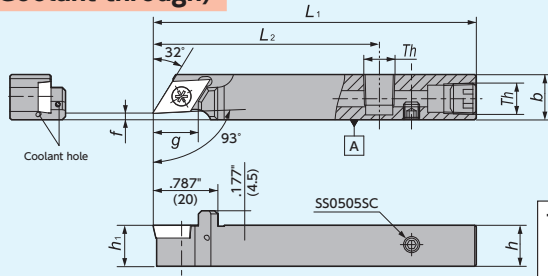
**SDJC-N**



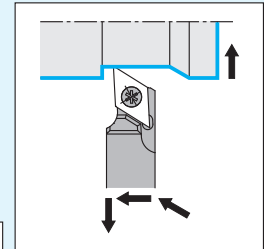
Right-Hand style shown

**Figure-1**

**SDJC-N-OH2 (Coolant through)**



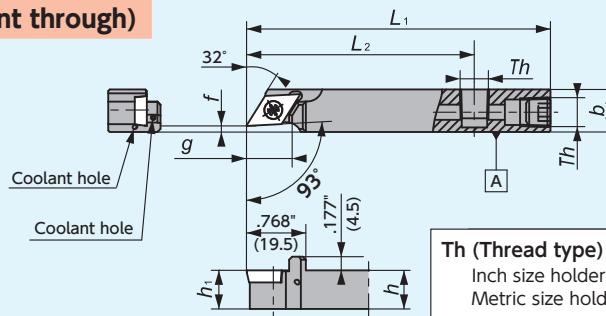
**Th (Thread type)**  
 Inch size holder : NPT1/8  
 Metric size holder: M6, Rc1/8 (PT1/8)



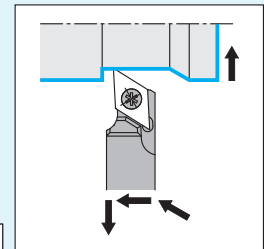
Right-Hand style shown

**Figure-2**

**SDJC-N-OH (Coolant through)**



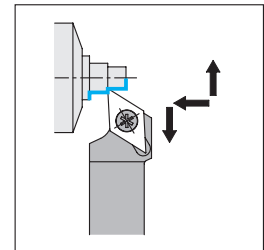
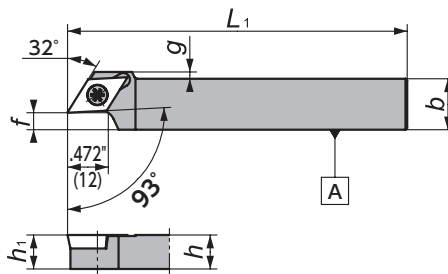
**Th (Thread type)**  
 Inch size holder : NPT1/8  
 Metric size holder: M6, Rc1/8 (PT1/8)



Right-Hand style shown

**Figure-3**

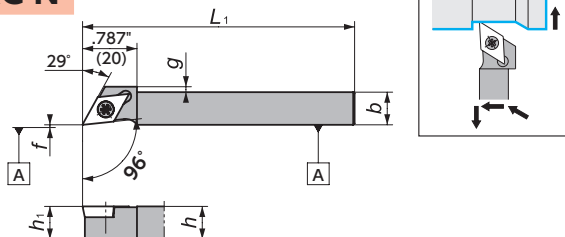
**SDJC-N-F (Shifted)**



Right-Hand style shown

**Figure-4**

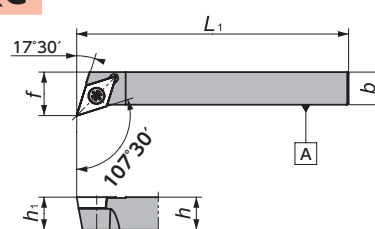
**SDXC-N**



Right-Hand style shown

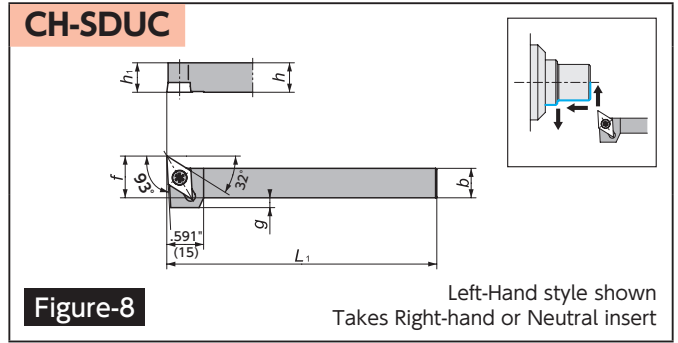
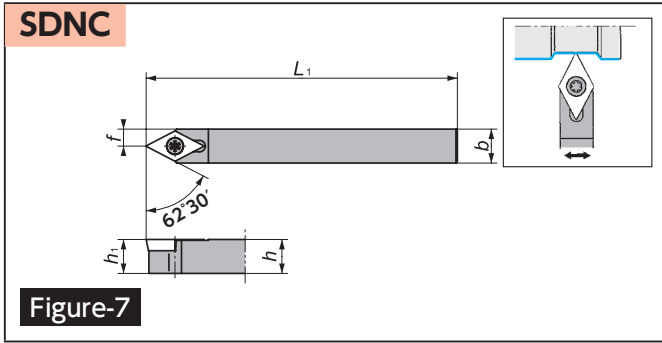
**Figure-5**

**SDQC**



Right-Hand style shown

**Figure-6**



## DC.. Series - Toolholders I



Gage Insert	Item Number	Figure	Stock		h	b	h <sub>1</sub>	L <sub>1</sub>	f	L <sub>2</sub>	g	Th	Clamp Screw	Wrench
			R	L										
			N		(Inch)	(mm)	(Inch)	(mm)	(Inch)	(mm)	(Inch)	(mm)		
DC..21.5.. DC..21.5..WP	SDJC%062C	1	●	●	3/8	3/8	3/8	4.724 120	0 0	-	-	-	-	LRIS-2.5 × 7 CLR-155
	SDJC%082C	1	●	●	1/2	1/2	1/2	4.724 120	0 0	-	-	-	-	LRIS-2.5 × 7 CLR-155
	SDJC%0808X07N	1	○	○	.315 8	.315 8	.315 8	4.724 120	0 0	-	-	-	-	LRIS-2.5 × 7 CLR-155
	SDJC%1010GX07N	1	○	○	.394 10	.394 10	.394 10	3.346 85	0 0	-	-	-	-	LRIS-2.5 × 7 CLR-155
	SDJC%1010X07N	1	○	○	.394 10	.394 10	.394 10	4.724 120	0 0	-	-	-	-	LRIS-2.5 × 7 CLR-155
DC..32.5.. DC..32.5..WP	SDJC%083C	1	●	●	1/2	1/2	1/2	4.724 120	0 0	-	-	-	-	LRIS-4 × 10 LLR-255
	SDJC%103C	1	●	●	5/8	5/8	5/8	4.724 120	0 0	-	-	-	-	LRIS-4 × 10 LLR-255
	SDJC%1010H11N	1	○	○	.394 10	.394 10	.394 10	3.937 100	0 0	-	.079 2	-	-	LRIS-4 × 10 LLR-255
	SDJC%1010X11N	1	○	○	.394 10	.394 10	.394 10	4.724 120	0 0	-	.079 2	-	-	LRIS-4 × 10 LLR-255
	SDJC%1012X11N	1	○	○	.394 10	.472 12	.394 10	4.724 120	0 0	-	-	-	-	LRIS-4 × 10 LLR-255
	SDJC%1212GX11N	1	○	○	.472 12	.472 12	.472 12	3.346 85	0 0	-	-	-	-	LRIS-4 × 10 LLR-255
	SDJC%1216GX11N	1	○	○	.472 12	.630 16	.472 12	3.346 85	0 0	-	-	-	-	LRIS-4 × 10 LLR-255
	SDJC%1212X11N	1	○	●	.472 12	.472 12	.472 12	4.724 120	0 0	-	-	-	-	LRIS-4 × 10 LLR-255
	SDJC%1616X11N	1	○	○	.630 16	.630 16	.630 16	4.724 120	0 0	-	-	-	-	LRIS-4 × 10 LLR-255
	SDJC%20-X11	1	○	○	.787 20	.787 20	.787 20	4.724 120	.984 25	-	-	-	-	LRIS-4 × 10 LLR-255
DC..21.5../DC..21.5..WP	SDJC%082H-F079-OH	3	●	●	1/2	.551 14	1/2	3.937 100	.079 2	2.953 75	.630 16	NPT1/8	LRIS-2.5 × 7 CLR-155	
	SDJC%083H-F079-OH	3	●	●	1/2	.551 14	1/2	3.937 100	.079 2	2.953 75	.630 16	NPT1/8	LRIS-4 × 10 LLR-255	
DC..32.5.. DC..32.5..WP	SDJC%083H-F079-OH2	2	●	●	1/2	.551 14	1/2	3.937 100	.079 2	2.756 70	.630 16	NPT1/8	LRIS-4 × 10 LLR-255	
	SDJC%103HL-F079-OH	3	●	●	5/8	5/8	5/8	3.937 100	.079 2	2.953 75	.724 18.4	NPT1/8	LRIS-4 × 10 LLR-255	
	SDJC%103XL-F079-OH2	2	●	●	5/8	5/8	5/8	4.724 120	.079 2	2.953 75	.724 18.4	NPT1/8	LRIS-4 × 10 LLR-255	
	SDJC%1014F11N-F02OH	3	○	○	.392 10	.551 14	.394 10	3.150 80	.079 2	2.165 55	.630 16	M6 × 1	LRIS-4 × 10 LLR-255	
	SDJC%1214H11N-F02OH	3	○	○	.472 12	.551 14	.472 12	3.937 100	.079 2	2.953 75	.630 16	Rc1/8(PT1/8)	LRIS-4 × 10 LLR-255	
	SDJC%1214H11N-F02OH2	2	○	○	.472 12	.551 14	.472 12	3.937 100	.079 2	2.756 70	.630 16	Rc1/8(PT1/8)	LRIS-4 × 10 LLR-255	
	SDJC%1616H11N-F02OH	3	○	○	.630 16	.630 16	.630 16	3.937 100	.079 2	2.953 75	.724 18.4	Rc1/8(PT1/8)	LRIS-4 × 10 LLR-255	
	SDJC%1616X11N-F02OH2	2	○	○	.630 16	.630 16	.630 16	4.724 120	.079 2	2.953 75	.724 18.4	Rc1/8(PT1/8)	LRIS-4 × 10 LLR-255	
	SDJC%1015X07N-F05	4	○	○	.394 10	.591 15	.394 10	4.724 120	.197 5	-	-	-	-	LRIS-2.5 × 7 CLR-155
	SDJC%1020X07N-F10	4	○	○	.394 10	.787 20	.394 10	4.724 120	.394 10	-	-	-	-	LRIS-2.5 × 7 CLR-155
DC..32.5.. DC..32.5..WP	SDJC%083C-F250	4	●	●	1/2	.728 18.5	1/2	4.724 120	1/4	-	-	-	-	LRIS-4 × 10 LLR-255
	SDJC%083C-F500	4	●	●	1/2	1	1/2	4.724 120	1/2	-	-	-	-	LRIS-4 × 10 LLR-255
	SDJC%1015X11N-F05	4	○	○	.394 10	.591 15	.394 10	4.724 120	.197 5	-	-	-	-	LRIS-4 × 10 LLR-255
	SDJC%1020X11N-F10	4	○	○	.394 10	.787 20	.394 10	4.724 120	.394 10	-	-	-	-	LRIS-4 × 10 LLR-255
	SDJC%1218X11N-F06	4	○	○	.472 12	.709 18	.472 12	4.724 120	.236 6	-	-	-	-	LRIS-4 × 10 LLR-255
SDJC%1224X11N-F12	4	○	○	.472 12	.945 24	.472 12	4.724 120	.472 12	-	-	-	-	LRIS-4 × 10 LLR-255	
DC..32.5..	SDXC%1010X11N	5	○	○	.394 10	.394 10	.394 10	4.724 120	0 0	-	-	-	-	LRIS-4 × 10 LLR-255
	SDXC%1016X11N	5	○	○	.394 10	.630 16	.394 10	4.724 120	0 0	-	-	-	-	LRIS-4 × 10 LLR-255
	SDXC%1212X11N	5	○	○	.472 12	.472 12	.472 12	4.724 120	0 0	-	-	-	-	LRIS-4 × 10 LLR-255
	SDXC%1216X11N	5	○	○	.472 12	.630 16	.472 12	4.724 120	0 0	-	-	-	-	LRIS-4 × 10 LLR-255
	SDXC%1616X11N	5	○	○	.630 16	.630 16	.630 16	4.724 120	0 0	-	-	-	-	LRIS-4 × 10 LLR-255
DC..21.5..	SDQC%10-X07	6	○	○	.394 10	.394 10	.394 10	4.724 120	.472 12	-	-	-	-	LRIS-2.5 × 7 CLR-155
DC..32.5..	SDQC%12-X11	6	○	○	.472 12	.472 12	.472 12	4.724 120	.630 16	-	-	-	-	LRIS-4 × 10 LLR-255
	SDQC%16-X11	6	○	○	.630 16	.630 16	.630 16	4.724 120	.787 20	-	-	-	-	LRIS-4 × 10 LLR-255
	SDQC%20-X11	6	○	○	.787 20	.787 20	.787 20	4.724 120	.984 25	-	-	-	-	LRIS-4 × 10 LLR-255
DC..21.5..	SDNCN-062	7	●	●	3/8	3/8	3/8	2.5 63.5	3/16	-	-	-	-	LRIS-2.5 × 7 CLR-155
	SDNCN-082	7	●	●	1/2	1/2	1/2	3.5 88.9	1/4	-	-	-	-	LRIS-2.5 × 7 CLR-155
	SDNCN08-X07	7	○	○	.315 8	.315 8	.315 8	4.724 120	.157 4	-	-	-	-	LRIS-2.5 × 7 CLR-155
	SDNCN10-X07	7	○	○	.394 10	.394 10	.394 10	4.724 120	.197 5	-	-	-	-	LRIS-2.5 × 7 CLR-155
DC..32.5..	SDNCN-083	7	●	●	1/2	1/2	1/2	3.937 100	1/4	-	-	-	-	LRIS-4 × 10 LLR-255
	SDNCN-103	7	●	●	5/8	5/8	5/8	3.937 100	5/16	-	-	-	-	LRIS-4 × 10 LLR-255
	SDNCN12-X11	7	○	○	.472 12	.472 12	.472 12	4.724 120	.236 6	-	-	-	-	LRIS-4 × 10 LLR-255
	SDNCN16-X11	7	○	○	.630 16	.630 16	.630 16	4.724 120	.315 8	-	-	-	-	LRIS-4 × 10 LLR-255
	SDNCN20-X11	7	○	○	.787 20	.787 20	.787 20	4.724 120	.394 10	-	-	-	-	LRIS-4 × 10 LLR-255
DC..32.5.. DC..32.5..WP	CH-SDUC%1010H11	8	○	○	.394 10	.394 10	.394 10	3.937 100	.591 15	-	-	-	-	LRIS-4 × 10PW CLR-155
CH-SDUC%1212H11	8	○	○	.472 12	.472 12	.472 12	3.937 100	.669 17	-	-	-	-	LRIS-4 × 10PW CLR-155	

Inserts →Q20 Cutting condition →Q4

● : Stock  
● : Stock (Newly added)  
■ □ □ □ : While stocks last

R L : Stock (Right / Left-hand only)  
R L : Stock (Right / Left-hand only, Newly added)  
⊕ : Mirror finish

○ : 1-2 week delivery  
○ : 1-2 week delivery (Newly added)  
⊕ : Coolant through

Ⓜ : 1-2 week delivery (Right / Left-hand only)  
Ⓜ : 1-2 week delivery (Right / Left-hand only, Newly added)



# Front Turning

## Y-Axis Holders for DC.. Inserts

### Y-SDJC

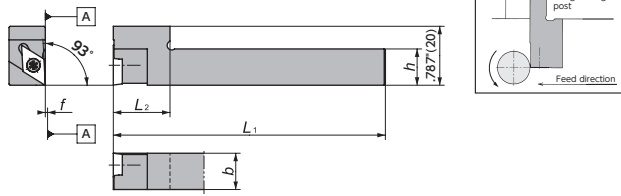


Figure-1

Right-Hand style shown  
Takes Right-hand or Neutral insert

### Y-SDNC

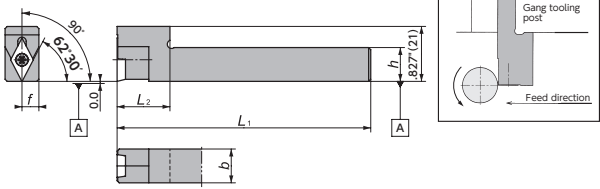
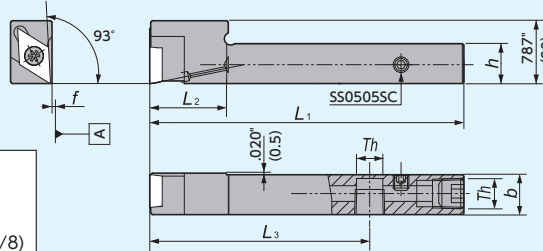


Figure-4

Takes Right-hand or Neutral insert

### Y-SDJC-OH2 (Coolant through)

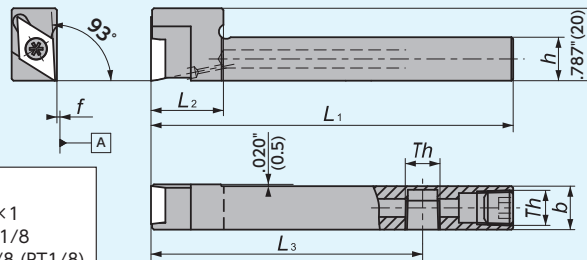


Th (Thread type)  
3/8" holder : M6×1  
1/2", 5/8" holder : NPT1/8  
Metric size holder: Rc1/8 (PT1/8)

Figure-2

Right-Hand style shown  
Takes Right-hand or Neutral insert

### Y-SDJC-OH (Coolant through)

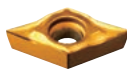


Th (Thread type)  
3/8" holder : M6×1  
1/2", 5/8" holder : NPT1/8  
Metric size holder: Rc1/8 (PT1/8)

Figure-3

Right-Hand style shown  
Takes Right-hand or Neutral insert

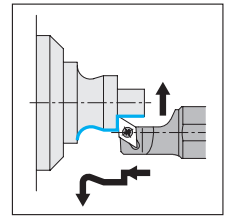
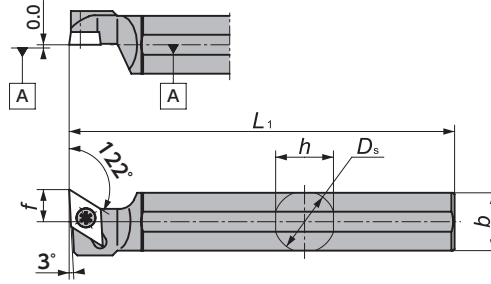
## DC.. Series - Toolholders II



Gage Insert	Item Number	Figure	Stock		h	b	L <sub>1</sub>	f	L <sub>2</sub>	L <sub>3</sub>	Th	Clamp Screw	Wrench
			R	L									
DC..21.5.. DC..21.5..WP	Y-SDJCR062-IN	1	●		3/8	3/8	4.724 120	0 0	.984 25	- -	-	LRIS-2.5 × 7	CLR-15S
	Y-SDJCR082-IN	1	●		1/2	1/2	4.724 120	0 0	.984 25	- -	-	LRIS-2.5 × 7	CLR-15S
	Y-SDJCR10-07S	1	○		.394 10.0	.394 10	4.724 120	0 0	.787 20	- -	-	LRIS-2.5 × 7	CLR-15S
	Y-SDJCR12-07S	1	○		.472 12.0	.472 12	4.724 120	0 0	.787 20	- -	-	LRIS-2.5 × 7	CLR-15S
DC..32.5.. DC..32.5..WP	Y-SDJCR083-IN	1	●		1/2	1/2	4.724 120	0 0	.984 25	- -	-	LRIS-4 × 10	LLR-25S-20 × 65
	Y-SDJCR103-IN	1	●		5/8	5/8	4.724 120	0 0	.984 25	- -	-	LRIS-4 × 10	LLR-25S-20 × 65
	Y-SDJCR10-11MS	2	○		.394 10.0	.394 10	4.724 120	0 0	.866 22	- -	-	LRIS-2.5 × 7	CLR-15S
	Y-SDJCR10-11S	2	○		.394 10.0	.394 10	4.724 120	0 0	.787 20	- -	-	LRIS-2.5 × 7	CLR-15S
	Y-SDJCR12-11MS	2	○		.472 12.0	.630 16	4.724 120	0 0	.866 22	- -	-	LRIS-4 × 10	LLR-25S-20 × 65
	Y-SDJCR12-11S	1	○		.472 12.0	.630 16	4.724 120	0 0	.787 20	- -	-	LRIS-4 × 10	LLR-25S-20 × 65
DC..21.5.. DC..21.5..WP	Y-SDJCR062H-IN-OH	3	●		3/8	3/8	3.937 100	0 0	.984 25	2.953 75	M6 × 1	LRIS-2.5 × 7	CLR-15S
	Y-SDJCR082H-IN-OH	3	●		1/2	1/2	3.937 100	0 0	.984 25	2.953 75	NPT1/8	LRIS-2.5 × 7	CLR-15S
DC..32.5.. DC..32.5..WP	Y-SDJCR083H-IN-OH	3	●		1/2	1/2	3.937 100	0 0	.984 25	2.953 75	NPT1/8	LRIS-4 × 10	LLR-25S-20 × 65
	Y-SDJCR083H-IN-OH2	2	●		1/2	1/2	3.937 100	0 0	.984 25	2.756 70	NPT1/8	LRIS-4 × 10	LLR-25S-20 × 65
	Y-SDJCR103H-IN-OH	3	●		5/8	5/8	3.937 100	0 0	.984 25	2.953 75	NPT1/8	LRIS-4 × 10	LLR-25S-20 × 65
	Y-SDJCR1212H11S-OH	3	●		.472 12.0	.472 12.0	3.937 100	0 0	.787 20	2.953 75	Rc1/8(PT1/8)	LRIS-4 × 10	LLR-25S-20 × 65
	Y-SDJCR1212H11S-OH2	2	●		.472 12.0	.472 12.0	3.937 100	0 0	.787 20	2.756 70	Rc1/8(PT1/8)	LRIS-4 × 10	LLR-25S-20 × 65
	Y-SDJCR1616H11-OH	3	○		.630 16.0	.630 16.0	3.937 100	0 0	.984 25	2.953 75	Rc1/8(PT1/8)	LRIS-4 × 10	LLR-25S-20 × 65
DC..32.5..	Y-SDNCN083-IN	4	●		1/2	1/2	4.724 120	1/4 6.35	.984 25	- -	-	LRIS-4 × 10	LLR-25S-20 × 65
	Y-SDNCN12-11S	4	○		.472 12.0	.472 12	4.724 120	.236 6.0	.787 20	- -	-	LRIS-4 × 10	LLR-25S-20 × 65
	Y-SDNCN16-11S	4	○		.630 16.0	.630 16	4.724 120	.315 8.0	.787 20	- -	-	LRIS-4 × 10	LLR-25S-20 × 65

## DS Toolholders for DC.. Inserts

### DS-SDU



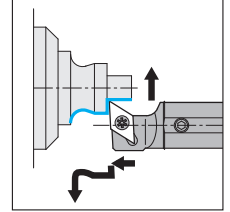
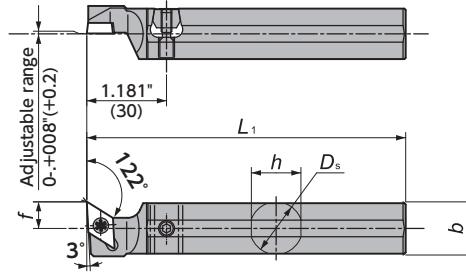
Left-Hand style shown  
Takes Right-hand or Neutral insert

Figure-4

### DS-SDU-ACH (Adjustable centerline height)

(Parts)

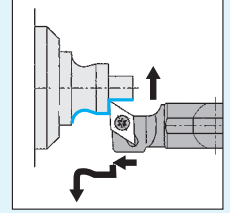
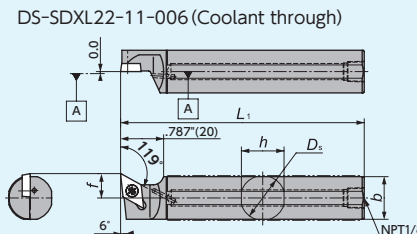
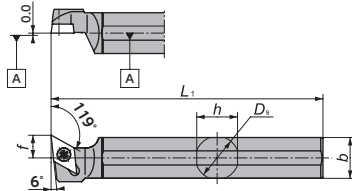
Shank	Wedge	Screw for Wedge
φ.630" (16)	ACH-W18 (5805601)	WS060415-003 (5795539)
φ3/4" (19.05)		
φ.787" (20)	ACH-W24 (5805619)	WS060419-004 (5799226)
φ.866" (22)		
φ1" (25.4)		



Left-Hand style shown  
Takes Right-hand or Neutral insert

Figure-5

### DS-SDX / DS-SDX (Coolant through)



Left-Hand style shown  
Takes Right-hand or Neutral insert

Figure-6

## DC.. Series - Toolholders III



Gage Insert	Item Number	Figure	Stock		$D_s$		$h$		$b$		$L_1$		$f$	Clamp Screw	Wrench	
			R	L	(Inch)	(mm)	(Inch)	(mm)	(Inch)	(mm)	(Inch)	(mm)				(Inch)
DC..21.5.. DC..21.5..WP	DS-SDU%{14F-07	4	○	○	.551	14.000	.512	13.0	.512	13.0	3.150	80	.236	6.0	LR15-2.5 × 7	CLR-155
	DS-SDU%{15H-07	4	○	○	.5/8	15.875	.591	15.0	.591	15.0	3.937	100	.236	6.0	LR15-2.5 × 7	CLR-155
	DS-SDU%{16F-07	4	○	○	.630	16.000	.591	15.0	.591	15.0	3.150	80	.236	6.0	LR15-2.5 × 7	CLR-155
	DS-SDU%{16X-07	4	○	○	.630	16.000	.591	15.0	.591	15.0	3.740	95	.236	6.0	LR15-2.5 × 7	CLR-155
	DS-SDU%{19-07	4	○	○	3/4	19.050	.709	18.0	.709	18.0	4.724	120	.236	6.0	LR15-2.5 × 7	CLR-155
	DS-SDU%{20X-07	4	○	○	.787	20.000	.748	19.0	.748	19.0	3.740	95	.236	6.0	LR15-2.5 × 7	CLR-155
	DS-SDU%{20-07	4	○	○	.787	20.000	.748	19.0	.748	19.0	4.724	120	.236	6.0	LR15-2.5 × 7	CLR-155
DS-SDU%{22-07	4	○	○	.866	22.000	.827	21.0	.827	21.0	4.724	120	.236	6.0	LR15-2.5 × 7	CLR-155	
DC..32.5.. DC..32.5..WP	DS-SDU%{14F-11	4	○	○	.551	14.000	.512	13.0	.512	13.0	3.150	80	.394	10.0	LR15-4 × 10	LLR-255-20 × 65
	DS-SDU%{16F-11	4	○	○	.630	16.000	.591	15.0	.591	15.0	3.150	80	.394	10.0	LR15-4 × 10	LLR-255-20 × 65
	DS-SDU%{19-11	4	○	○	3/4	19.050	.709	18.0	.709	18.0	4.724	120	.394	10.0	LR15-4 × 10	LLR-255-20 × 65
	DS-SDU%{19-11SPL	4	○	○	3/4	19.050	.709	18.0	.709	18.0	6.300	160	.394	10.0	LR15-4 × 10	LLR-255-20 × 65
	DS-SDU%{20X-11	4	○	○	.787	20.000	.748	19.0	.748	19.0	3.740	95	.394	10.0	LR15-4 × 10	LLR-255-20 × 65
	DS-SDU%{20-11	4	○	○	.787	20.000	.748	19.0	.748	19.0	4.724	120	.394	10.0	LR15-4 × 10	LLR-255-20 × 65
	DS-SDU%{22-11	4	○	○	.866	22.000	.827	21.0	.827	21.0	4.724	120	.394	10.0	LR15-4 × 10	LLR-255-20 × 65
	DS-SDU%{23-11-007	4	○	○	.906	23.000	.866	22.0	.866	22.0	2.756	70	.394	10.0	LR15-4 × 10	LLR-255-20 × 65
	DS-SDU%{25-11MET	4	○	○	.984	25.000	.945	24.0	.945	24.0	4.724	120	.394	10.0	LR15-4 × 10	LLR-255-20 × 65
	DS-SDU%{25-11	4	○	○	1	25.400	.945	24.0	.945	24.0	5.906	150	.394	10.0	LR15-4 × 10	LLR-255-20 × 65
	DS-SDU%{25-11SPL	4	○	○	1	25.400	.945	24.0	.945	24.0	5.906	150	.492	12.5	LR15-4 × 10	LLR-255-20 × 65
	DS-SDU%{16F-11-ACH	5	●	●	.630	16.000	.610	15.5	.610	15.5	3.150	80	.394	10.0	LR15-4 × 10	LLR-255-20 × 65
	DS-SDU%{19-11-ACH	5	●	●	3/4	19.050	.709	18.0	.709	18.0	4.724	120	.394	10.0	LR15-4 × 10	LLR-255-20 × 65
	DS-SDU%{20-11-ACH	5	●	●	.787	20.000	.748	19.0	.748	19.0	4.724	120	.394	10.0	LR15-4 × 10	LLR-255-20 × 65
	DS-SDU%{22-11-ACH	5	●	●	.866	22.000	.827	21.0	.827	21.0	4.724	120	.394	10.0	LR15-4 × 10	LLR-255-20 × 65
	DS-SDU%{25-11MET-ACH	1	●	●	.984	25.000	.945	24.0	.945	24.0	5.906	150	.394	10.0	LR15-4 × 10	LLR-255-20 × 65
	DS-SDU%{25-11-ACH	5	●	●	1	25.400	.945	24.0	.945	24.0	5.906	150	.394	10.0	LR15-4 × 10	LLR-255-20 × 65
	DS-SDX%{22-11-006	6	●	●	.866	22.000	.827	21.0	.827	21.0	4.724	120	.472	12.0	LR15-4 × 10	LLR-255-20 × 65
	DS-SDX%{19-11	6	○	○	3/4	19.050	.709	18.0	.709	18.0	4.724	120	.394	10.0	LR15-4 × 10	LLR-255-20 × 65
	DS-SDX%{20X-11	6	○	○	.787	20.000	.748	19.0	.748	19.0	3.740	95	.394	10.0	LR15-4 × 10	LLR-255-20 × 65
DS-SDX%{20-11	6	○	○	.787	20.000	.748	19.0	.748	19.0	4.724	120	.394	10.0	LR15-4 × 10	LLR-255-20 × 65	
DS-SDX%{25-11MET	6	○	○	.984	25.000	.945	24.0	.945	24.0	4.724	120	.394	10.0	LR15-4 × 10	LLR-255-20 × 65	
DS-SDX%{32-11	6	○	○	1.260	32.000	1.181	30.0	1.181	30.0	5.906	150	.394	10.0	LR15-4 × 10	LLR-255-20 × 65	

Inserts → Q20 Cutting condition → Q4

● : Stock  
● : Stock (Newly added)  
■ □ □ □ : While stocks last  
R L : Stock (Right / Left-hand only)  
R L : Stock (Right / Left-hand only, Newly added)  
○ : 1-2 week delivery  
○ : 1-2 week delivery (Newly added)  
⊕ : Mirror finish  
Ⓜ : 1-2 week delivery (Right / Left-hand only)  
Ⓜ : 1-2 week delivery (Right / Left-hand only, Newly added)

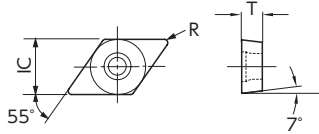


# Front Turning

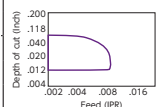
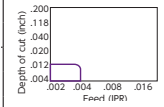
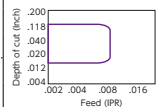
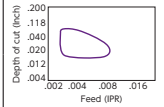
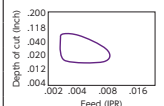
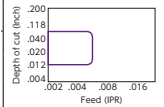
## DC.. Inserts - Carbide

(inch)	IC	T
DC..21.5	1/4	3/32
DC..32.5	3/8	5/32

● : 1st Choice   ● : 2nd choice



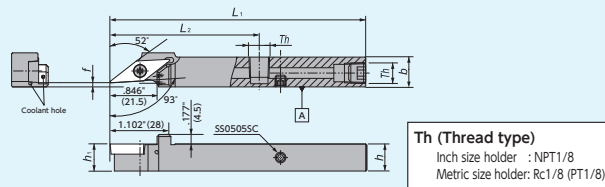
Shape	Item Number	ISO Item Number	IC	R	Carbide															
					PVD Coated							CVD	Diamond Coating							
					ST4	DM4	DT4	QM3	TM4	VM1	ZM3			KM1	CP1	UC1				
					Steel	P	●	●	●	●	●	●	●	●	●	●	●	●		
					Stainless Steel	M	●	●	●	●	●	●	●	●	●	●	●	●	●	
					Cast Iron	K	●	●	●	●	●	●	●	●	●	●	●	●	●	
					Non-Ferrous Material	N	●	●	●	●	●	●	●	●	●	●	●	●	●	
					Heat Resistant Alloy	S	●	●	●	●	●	●	●	●	●	●	●	●	●	
					Hardened Material	H	●	●	●	●	●	●	●	●	●	●	●	●	●	
	DCGT 21.504M YL	DCGT 070201M YL	1/4	.003		●	●	●	●	●	●	●	●	●	●	●	●	●		
	DCGT 21.508M YL	DCGT 070202M YL	1/4	.007		●	●	●	●	●	●	●	●	●	●	●	●	●		
	DCGT 21.51M YL	DCGT 070204M YL	3/8	.015		●	●	●	●	●	●	●	●	●	●	●	●	●		
	DCGT 32.501 YL	DCGT 11T300 YL	3/8	.001		●	●	●	●	●	●	●	●	●	●	●	●	●		
	DCGT 32.504M YL	DCGT 11T301M YL	3/8	.003	●	●	●	●	●	●	●	●	●	●	●	●	●	●		
	DCGT 32.508M YL	DCGT 11T302M YL	3/8	.007	●	●	●	●	●	●	●	●	●	●	●	●	●	●		
	DCGT 32.51M YL	DCGT 11T304M YL	3/8	.015	●	●	●	●	●	●	●	●	●	●	●	●	●	●		
	DCGT 32.52M YL	DCGT 11T308M YL	3/8	.031	●	●	●	●	●	●	●	●	●	●	●	●	●	●		
	DCGT 21.501 FNAM3	DCGT 070200 FNAM3	1/4	.001	○		●	●	○	○	○	○	○	○	○	○	○	○		
	DCGT 21.504M FNAM3	DCGT 070201 FNAM3	1/4	.003	○		●	●	○	○	○	○	○	○	○	○	○	○		
	DCGT 21.504 FNAM3	DCGT 070201 FNAM3	1/4	.004	○		●	●	○	○	○	○	○	○	○	○	○	○		
	DCGT 21.508M FNAM3	DCGT 070202 FNAM3	1/4	.007	○		●	●	○	○	○	○	○	○	○	○	○	○		
	DCGT 21.508 FNAM3	DCGT 070202 FNAM3	1/4	.008	○		●	●	○	○	○	○	○	○	○	○	○	○		
	DCGT 21.51M FNAM3	DCGT 070204 FNAM3	1/4	.015	○		●	●	○	○	○	○	○	○	○	○	○	○		
	DCGT 21.51 FNAM3	DCGT 070204 FNAM3	1/4	.016	○		●	●	○	○	○	○	○	○	○	○	○	○		
	DCGT 32.501 FNAM3	DCGT 11T300 FNAM3	3/8	.001	○		●	●	○	○	○	○	○	○	○	○	○	○		
	DCGT 32.504M FNAM3	DCGT 11T301 FNAM3	3/8	.003	○		●	●	○	○	○	○	○	○	○	○	○	○		
	DCGT 32.508M FNAM3	DCGT 11T302 FNAM3	3/8	.007	○		●	●	○	○	○	○	○	○	○	○	○	○		
	DCGT 32.508 FNAM3	DCGT 11T302 FNAM3	3/8	.008	○		●	●	○	○	○	○	○	○	○	○	○	○		
	DCGT 32.51M FNAM3	DCGT 11T304 FNAM3	3/8	.015	○		●	●	○	○	○	○	○	○	○	○	○	○		
	DCGT 32.51 FNAM3	DCGT 11T304 FNAM3	3/8	.016	○		●	●	○	○	○	○	○	○	○	○	○	○		
	DCGT 32.52 FNAM3	DCGT 11T308 FNAM3	3/8	.031	○		●	●	○	○	○	○	○	○	○	○	○	○		
DCMT 21.508 FNAM3	DCMT 070202 FNAM3	1/4	.008		○															
DCMT 21.51 FNAM3	DCMT 070204 FNAM3	1/4	.016		○															
DCMT 32.508 FNAM3	DCMT 11T302 FNAM3	3/8	.008		○															
DCMT 32.51 FNAM3	DCMT 11T304 FNAM3	3/8	.016		○															
DCMT 32.52 FNAM3	DCMT 11T308 FNAM3	3/8	.031		○															
	DCGT 32.502 AM3-WP*	TFD 11FR05AM3	3/8	.002			●	○												
	DCGT 32.506 AM3-WP*	TFD 11FR15AM3	3/8	.006			●	○												
	DCGT 21.504M CL	DCGT 070201M CL	1/4	.003	○	○	●	○	○											
	DCGT 21.508M CL	DCGT 070202M CL	1/4	.007	○	○	●	○	○											
	DCGT 21.51M CL	DCGT 070204M CL	1/4	.015	○	○	●	○	○											
	DCGT 32.504M CL	DCGT 11T301M CL	3/8	.003	○	○	●	○	○											
	DCGT 32.508M CL	DCGT 11T302M CL	3/8	.007	○	○	●	○	○											
DCGT 32.51M CL	DCGT 11T304M CL	3/8	.015	○	○	●	○	○												
	DCGT 21.504M AMX	DCGT 070201M AMX	1/4	.003		○	○	○	○	●										
	DCGT 21.508M AMX	DCGT 070202M AMX	1/4	.007		○	○	○	○	●										
	DCGT 21.51M AMX	DCGT 070204M AMX	1/4	.015		○	○	○	○	●										
	DCGT 32.504M AMX	DCGT 11T301M AMX	3/8	.003		●	○	○	○	○	●									
	DCGT 32.508M AMX	DCGT 11T302M AMX	3/8	.007		●	○	○	○	○	●									
DCGT 32.51M AMX	DCGT 11T304M AMX	3/8	.015		●	○	○	○	○	●										
	DCGT 21.501 AZ7	DCGT 070200 AZ7	1/4	.001					○											
	DCGT 21.504M AZ7	DCGT 070201M AZ7	1/4	.003					○											
	DCGT 21.508M AZ7	DCGT 070202M AZ7	1/4	.007					○											
	DCGT 32.501 AZ7	DCGT 11T300 AZ7	3/8	.001				○	○	○										
	DCGT 32.504M AZ7	DCGT 11T301M AZ7	3/8	.003				○	○	○										
	DCGT 32.508M AZ7	DCGT 11T302M AZ7	3/8	.007				○	○	○										
	DCGT 32.51M AZ7	DCGT 11T304M AZ7	3/8	.015				○	○	○										
	DCGT 32.52 AZ7	DCGT 11T308 AZ7	3/8	.031				○	○	○										



Front Turning

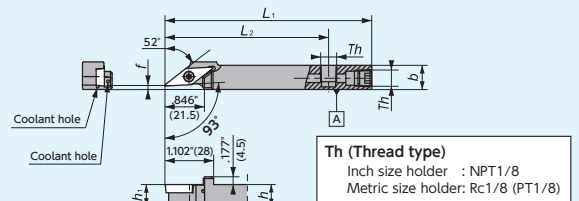
## Toolholders for VB.. Inserts

### SVJB-OH2 (Coolant through)



**Figure-1** Right-Hand style shown  
 ●Left-Hand coolant through holders are designed for Right-Hand machines

### SVJB-OH (Coolant through)



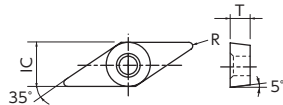
**Figure-2** Right-Hand style shown  
 ●Left-Hand coolant through holders are designed for Right-Hand machines

### VBGT33

Gage Insert	Item Number	Figure	Stock		h (Inch) (mm)	b (Inch) (mm)	h <sub>1</sub> (Inch) (mm)	L <sub>1</sub> (Inch) (mm)	f (Inch) (mm)	L <sub>2</sub> (Inch) (mm)	g (Inch) (mm)	Th	Clamp Screw	Wrench
			R	L										
	SVJB%∠083C-F079-OH	2	●	●	1/2	.551 14	1/2	4.724 120	.079 2	3.740 95	.079 2	NPT1/8	LR15-4 × 10	LLR-255
	SVJB%∠083C-F079-OH2	1	●	●	1/2	.551 14	1/2	4.724 120	.079 2	2.756 70	.079 2	NPT1/8	LR15-4 × 10	LLR-255
	SVJB%∠103C-F079-OH	2	●	●	5/8	5/8	5/8	4.724 120	.079 2	3.740 95	0 0	NPT1/8	LR15-4 × 10	LLR-255
	SVJB%∠103C-F079-OH2	1	●	●	5/8	5/8	5/8	4.724 120	.079 2	2.953 75	0 0	NPT1/8	LR15-4 × 10	LLR-255
	SVJB%∠1214-X16N-F020H	2	●	●	.472 12	.551 14	.472 12	4.724 120	.079 2	3.740 95	.079 2	Rc1/8(PT1/8)	LR15-4 × 10	LLR-255
	SVJB%∠1616-X16N-F020H	2	●	●	.630 16	.630 16	.630 16	4.724 120	.079 2	3.740 95	0 0	Rc1/8(PT1/8)	LR15-4 × 10	LLR-255

●Left-Hand coolant through holders are designed for Right-Hand machines

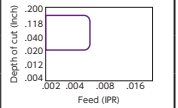
## VB.. inserts - Carbide [Molded Chipbreaker]



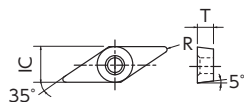
	Steel	P												
Steel	P	●	●	●	●	●	●	●	●	●	●	●	●	●
Stainless Steel	M	●	●	●	●	●	●	●	●	●	●	●	●	●
Cast Iron	K	●	●	●	●	●	●	●	●	●	●	●	●	●
Non-Ferrous Material	N	●	●	●	●	●	●	●	●	●	●	●	●	●
Heat Resistant Alloy	S	●	●	●	●	●	●	●	●	●	●	●	●	●
Hardened Material	H	●	●	●	●	●	●	●	●	●	●	●	●	●

● : 1st Choice  
 ● : Alternate choice

Shape	Item Number	ISO Item Number	IC	R	Carbide										CVD	Diamond Coating
					PVD Coated								CP1	UC1		
					ST4	DM4	DT4	QM3	TM4	VM1	ZM3	KM1				
	VBGT 3308 FNYL	VBGT 160402 FNYL	3/8	.008	○	●		●	○							
	VBGT 331 FNYL	VBGT 160404 FNYL	3/8	.016	○	●		●	○							
	VBGT 332 FNYL	VBGT 160408 FNYL	3/8	.031	○	●		●	○							



## VB..33 Inserts - CBN / PCD



	Steel	P													
Steel	P	●	●	●	●	●	●	●	●	●	●	●	●	●	●
Stainless Steel	M	●	●	●	●	●	●	●	●	●	●	●	●	●	●
Cast Iron	K	●	●	●	●	●	●	●	●	●	●	●	●	●	●
Non-Ferrous Material	N	●	●	●	●	●	●	●	●	●	●	●	●	●	●
Heat Resistant Alloy	S	●	●	●	●	●	●	●	●	●	●	●	●	●	●
Hardened Material	H	●	●	●	●	●	●	●	●	●	●	●	●	●	●

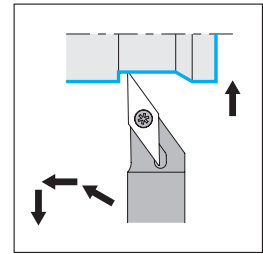
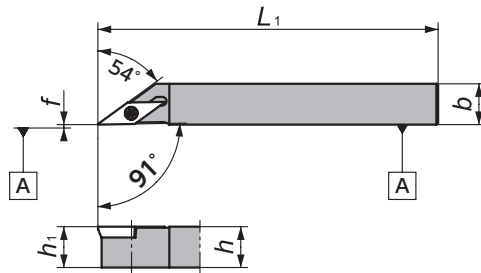
Shape	Item Number	ISO Item Number	Edge Prep.	IC	R	No. of edge	Length of edge	CBN (Brazed)										PCD	Diamond Coating
								BIDEMICS Coated		Solid CBN		Coated							
								JP2	B99	B5K	B52	B6K	B36	B40	B23	B30	PD1		
	VBGW 3308 PD S0415	VBGW 160402 PD S01015	S0415	3/8	.008	2	.102												
	VBGW 3308 PD S0525	VBGW 160402 PD S01325	S0525	3/8	.008	2	.102												
	VBGW 3308 PD S0635	VBGW 160402 PD S01535	S0635	3/8	.008	2	.102												
	VBGW 331 PD S0415	VBGW 160404 PD S01015	S0415	3/8	.016	2	.098												
	VBGW 331 PD S0525	VBGW 160404 PD S01325	S0525	3/8	.016	2	.098												
	VBGW 331 PD S0635	VBGW 160404 PD S01535	S0635	3/8	.016	2	.098												
	VBGW 332 PD S0415	VBGW 160408 PD S01015	S0415	3/8	.016	2	.063												
	VBGW 332 PD S0525	VBGW 160408 PD S01325	S0525	3/8	.016	2	.063												
	VBGW 332 PD S0635	VBGW 160408 PD S01535	S0635	3/8	.016	2	.063												
	VBGW 333 PD S0415	VBGW 160412 PD S01015	S0415	3/8	.031	2	.106												
	VBGW 333 PD S0525	VBGW 160412 PD S01325	S0525	3/8	.031	2	.106												
	VBGW 333 PD S0635	VBGW 160412 PD S01535	S0635	3/8	.031	2	.106												

Cutting condition → Q4 Chipbreaker → P20

● : Stock  
 ● : Stock (Newly added)  
 ■ : While stocks last  
 R L : Stock (Right / Left-hand only)  
 R L : Stock (Right / Left-hand only, Newly added)  
 ○ : 1-2 week delivery  
 ○ : 1-2 week delivery (Newly added)  
 ● : Coolant through  
 (R) : 1-2 week delivery (Right / Left-hand only)  
 (R) : 1-2 week delivery (Right / Left-hand only, Newly added)

## Toolholders for VC.. Inserts

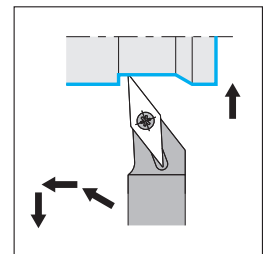
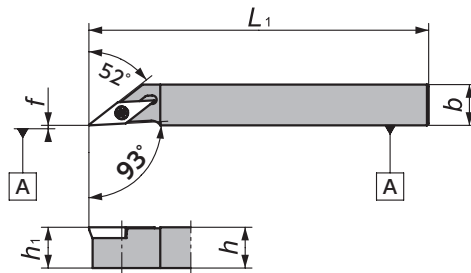
**SVAC-N**



Right-Hand style shown

**Figure-1**

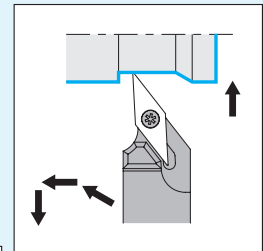
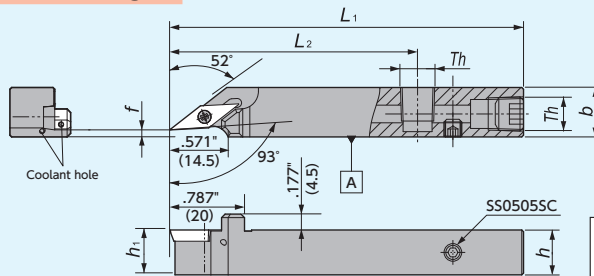
**SVJC**



Right-Hand style shown

**Figure-2**

**SVJC-OH2 (Coolant through)**

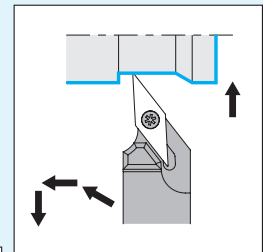
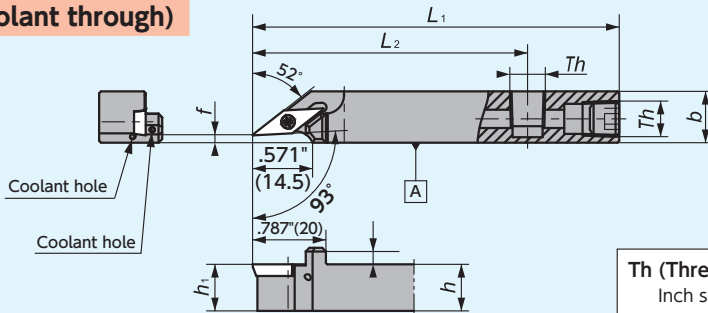


Right-Hand style shown

**Figure-3**

**Th (Thread type)**  
Inch size holder: NPT1/8

**SVJC-OH (Coolant through)**

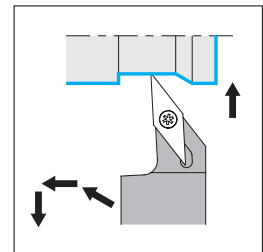
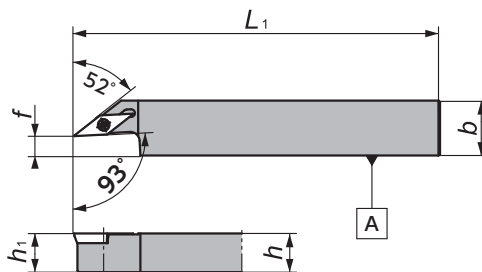


Right-Hand style shown

**Figure-4**

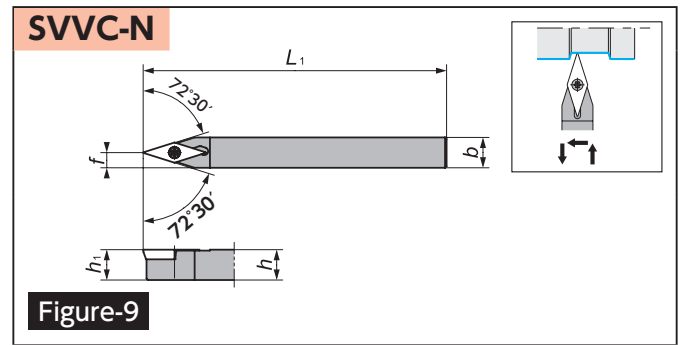
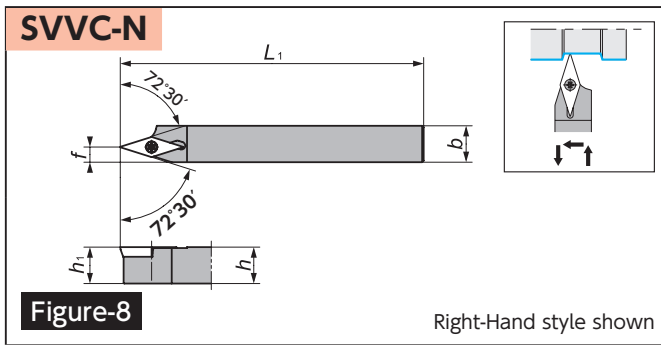
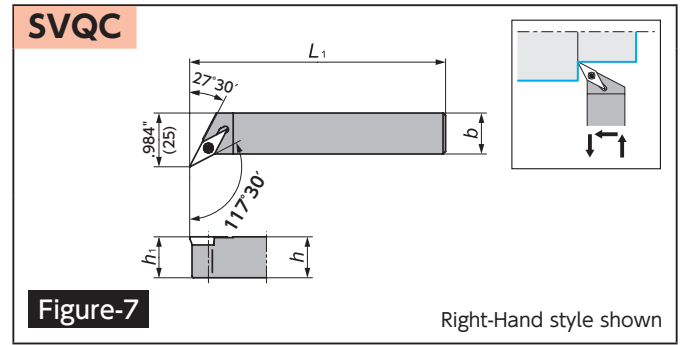
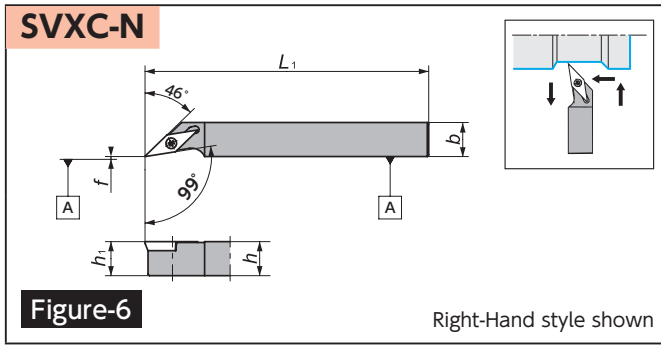
**Th (Thread type)**  
Inch size holder: NPT1/8

**SVJC-F (Shifted)**



Right-Hand style shown

**Figure-5**



## VC.. Series - Toolholders I



Gage Insert	Item Number	Figure	Stock		h	b	h <sub>1</sub>	L <sub>1</sub>	L <sub>2</sub>	f	Th	Clamp Screw	Wrench	
			R	L										
					(Inch)	(mm)	(Inch)	(mm)	(Inch)	(mm)	(Inch)	(mm)		
VC..22 VC..22-WP	SVAC%10808X11N	1	●	●	.315 8	.315 8	.315 8	4.724 120	—	0.0 0.0	—	LRIS-2.5 × 7	CLR-15S	
	SVAC%11010X11N	1	○	○	.394 10	.394 10	.394 10	4.724 120	—	0.0 0.0	—	LRIS-2.5 × 7	CLR-15S	
	SVAC%11212X11N	1	○	○	.472 12	.472 12	.472 12	4.724 120	—	0.0 0.0	—	LRIS-2.5 × 7	CLR-15S	
	SVAC%11616X11N	1	○	○	.630 16	.630 16	.630 16	4.724 120	—	0.0 0.0	—	LRIS-2.5 × 7	CLR-15S	
VC..22	SVJCR%082H-F02C	2	●	●	3/8	3/8	3/8	4.724 120	—	0.0 0.0	—	LRIS-2.5 × 7	CLR-15S	
	SVJCR%082C	2	●	●	1/2	1/2	1/2	4.724 120	—	0.0 0.0	—	LRIS-2.5 × 7	CLR-15S	
	SVJCR%102C	2	●	●	5/8	5/8	5/8	4.724 120	—	0.0 0.0	—	LRIS-2.5 × 7	CLR-15S	
	SVJCR%0808H11N	2	○	○	.315 8	.315 8	.315 8	3.937 100	—	0.0 0.0	—	LRIS-2.5 × 7	CLR-15S	
	SVJCR%11010X11N	2	○	○	.394 10	.394 10	.394 10	4.724 120	—	0.0 0.0	—	LRIS-2.5 × 7	CLR-15S	
	SVJCR%1212X11N	2	●	○	.472 12	.472 12	.472 12	4.724 120	—	0.0 0.0	—	LRIS-2.5 × 7	CLR-15S	
	SVJCR%1616X11N	2	○	○	.630 16	.630 16	.630 16	4.724 120	—	0.0 0.0	—	LRIS-2.5 × 7	CLR-15S	
	SVJCR%082H-F079-OH	4	■	■	1/2	.551 14	1/2	3.937 100	2.953 75	.079 2.0	NPT1/8	LRIS-2.5 × 7	CLR-15S	
SVJCR%082H-F079-OH2	3	●	●	1/2	.551 14	1/2	3.937 100	2.756 70	.079 2.0	NPT1/8	LRIS-2.5 × 7	CLR-15S		
SVJCR%102H-F079-OH	4	●	●	5/8	5/8	5/8	3.937 100	2.953 75	.079 2.0	NPT1/8	LRIS-2.5 × 7	CLR-15S		
SVJCR%102X-F079-OH2	3	●	●	5/8	5/8	5/8	4.724 120	2.953 75	.079 2.0	NPT1/8	LRIS-2.5 × 7	CLR-15S		
VC..22	SVJCR1014F11N-F02OH	4	○	○	.394 10	.551 14	.394 10	3.150 80	2.953 75	.079 2.0	M6 × 1	LRIS-2.5 × 7	CLR-15S	
	SVJCR1214H11N-F02OH	4	○	○	.472 12	.551 14	.472 12	3.937 100	2.953 75	.079 2.0	Rc1/8 (PT1/8)	LRIS-2.5 × 7	CLR-15S	
	SVJCR1616H11N-F02OH	4	○	○	.630 16	.630 16	.630 16	3.937 100	2.953 75	.079 2.0	Rc1/8 (PT1/8)	LRIS-2.5 × 7	CLR-15S	
VC..22	SVJCR%082C-F250	5	●	●	1/2	1/2	.709 18	4.724 120	—	1/4	—	LRIS-2.5 × 7	CLR-15S	
	SVJCR%082C-F500	5	●	●	1/2	1/2	.984 25	4.724 120	—	1/2	—	LRIS-2.5 × 7	CLR-15S	
VC..22	SVXC%11012X11N	6	○	○	.394 10	.472 12	.394 10	4.724 120	—	0.0 0.0	—	LRIS-2.5 × 7	CLR-15S	
	SVXC%11212X11N	6	○	○	.472 12	.472 12	.472 12	4.724 120	—	0.0 0.0	—	LRIS-2.5 × 7	CLR-15S	
VC..22	SVQC%20-X11	7	○	○	.787 20	.787 20	.787 20	4.724 120	—	—	—	LRIS-2.5 × 7	CLR-15S	
VC..22	SVVC%11212X11N	8	●	●	.472 12	.472 12	.472 12	4.724 120	—	.197 5	—	LRIS-2.5 × 7	CLR-15S	
	SVVC%11616X11N	8	○	○	.630 16	.630 16	.630 16	4.724 120	—	.197 5	—	LRIS-2.5 × 7	CLR-15S	
	SVVCN0808H11N	9	○	○	.315 8	.315 8	.315 8	3.937 100	—	.157 4	—	LRIS-2.5 × 7	CLR-15S	
	SVVCN11010X11N	9	○	○	.394 10	.394 10	.394 10	4.724 120	—	.197 5	—	LRIS-2.5 × 7	CLR-15S	
	SVVCN20-X11	9	○	○	.787 20	.787 20	.787 20	4.724 120	—	.394 10	—	LRIS-2.5 × 7	CLR-15S	

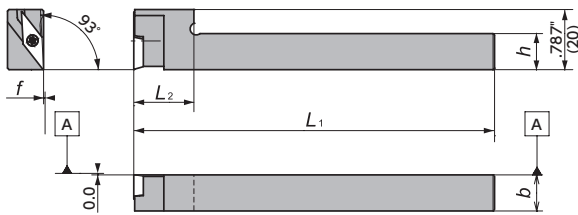
Inserts → Q27

Cutting condition → Q4

● : Stock  
 ● : Stock (Newly added)  
 ■□□ : While stocks last  
 R L : Stock (Right / Left-hand only)  
 R L : Stock (Right / Left-hand only, Newly added)  
 ○ : 1-2 week delivery  
 ○ : 1-2 week delivery (Newly added)  
 ● : Coolant through  
 (R) : 1-2 week delivery (Right / Left-hand only)  
 (R) : 1-2 week delivery (Right / Left-hand only, Newly added)

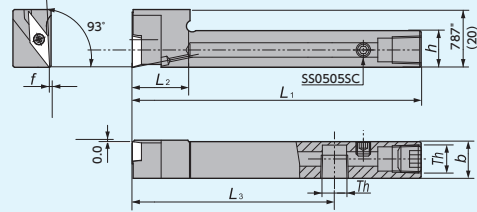
## Y-axis Toolholders for VC.. Inserts

### Y-SVJCR



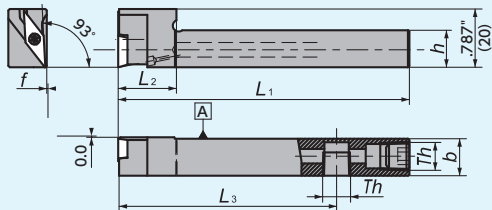
**Figure-1** Right-Hand style shown  
Takes Right-hand or Neutral insert

### Y-SVJCR-OH2 (Coolant through)



**Figure-2** Th (Thread type)  
Inch size holder: NPT1/8 Right-Hand style shown  
Takes Right-hand or Neutral insert

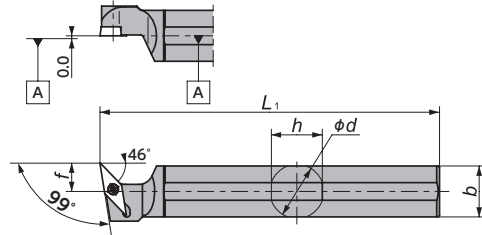
### Y-SVJCR-OH (Coolant through)



**Figure-3** Th (Thread type)  
Inch size holder: NPT1/8 Right-Hand style shown  
Takes Right-hand or Neutral insert

## DS Toolholders for VC.. Inserts

### DS-SVX



**Figure-4** Left-Hand style shown  
Takes Right-hand or Neutral insert

## VC.. Series - Toolholders II



Gage Insert	Item Number	Figure	Stock		h		b		L <sub>1</sub>		f		L <sub>2</sub>		L <sub>3</sub>		Th	Clamp Screw	Wrench
			R	L	(Inch)	(mm)	(Inch)	(mm)	(Inch)	(mm)	(Inch)	(mm)	(Inch)	(mm)	(Inch)	(mm)			
VC..22..	Y-SVJCR062-IN	1	●		3/8	3/8	4.724	120	0.0	0.0	.787	20	—	—	—	—	LRIS-2.5×7	CLR-15S	
	Y-SVJCR082-IN	1	●		1/2	1/2	4.724	120	0.0	0.0	.787	20	—	—	—	—	LRIS-2.5×7	CLR-15S	
	Y-SVJCR102-IN	1	●		5/8	5/8	4.724	120	0.0	0.0	.984	25	—	—	—	—	LRIS-2.5×7	CLR-15S	
VC..22..	Y-SVJCR082HS-IN-OH	3	■		1/2	1/2	3.937	100	0.0	0.0	.787	20	2.953	75	NPT1/8	LRIS-2.5×7	CLR-15S		
	Y-SVJCR082HS-IN-OH2	2	●		1/2	1/2	3.937	100	0.0	0.0	.787	20	2.756	70	NPT1/8	LRIS-2.5×7	CLR-15S		
	Y-SVJCR102H-IN-OH	3	●		5/8	5/8	3.937	100	0.0	0.0	.984	25	2.953	75	NPT1/8	LRIS-2.5×7	CLR-15S		
VC..22..	Y-SVJCR1212H11S-OH	3	□		.472	12	.472	12	3.937	100	0.0	0.0	.787	20	2.953	75	RC1/8(PT1/8)	LRIS-2.5×7	CLR-15S
	Y-SVJCR1212H11S-OH2	2	●		.472	12	.472	12	3.937	100	0.0	0.0	.787	20	2.756	70	RC1/8(PT1/8)	LRIS-2.5×7	CLR-15S
	Y-SVJCR1616H11S-OH	3	○		.630	16	.630	16	3.937	100	0.0	0.0	.787	20	2.953	75	RC1/8(PT1/8)	LRIS-2.5×7	CLR-15S

## VC.. Series - Toolholders III



Gage Insert	Item Number	Figure	Stock		φ d		h		b		L <sub>1</sub>		f		Clamp Screw	Wrench
			R	L	(Inch)	(mm)	(Inch)	(mm)	(Inch)	(mm)	(Inch)	(mm)	(Inch)	(mm)		
VC..22..	DS-SVX $\frac{1}{4}$ 14F-11	4	○		.551	14.000	.512	13	.512	13	3.150	80	.394	10.0	LRIS-2.5 × 7	CLR-15S
	DS-SVX $\frac{1}{4}$ 15H-11	4	○		5/8	15.875	.591	15	.591	15	3.937	100	.394	10.0	LRIS-2.5 × 7	CLR-15S
	DS-SVX $\frac{1}{4}$ 16F-11	4	●		.630	16.000	.591	15	.591	15	3.150	80	.394	10.0	LRIS-2.5 × 7	CLR-15S
	DS-SVX $\frac{1}{4}$ 19-11	4	●		3/4	19.050	.709	18	.709	18	4.724	120	.394	10.0	LRIS-2.5 × 7	CLR-15S
	DS-SVX $\frac{1}{4}$ 19-11SPL	4	○		3/4	19.050	.709	18	.709	18	6.299	160	.433	11.0	LRIS-2.5 × 7	CLR-15S
	DS-SVX $\frac{1}{4}$ 20X-11	4	○		.787	20.000	.748	19	.748	19	3.740	95	.394	10.0	LRIS-2.5 × 7	CLR-15S
	DS-SVX $\frac{1}{4}$ 20-11	4	●		.787	20.000	.748	19	.748	19	4.724	120	.394	10.0	LRIS-2.5 × 7	CLR-15S
	DS-SVX $\frac{1}{4}$ 22-11	4	●		.866	22.000	.827	21	.827	21	4.724	120	.394	10.0	LRIS-2.5 × 7	CLR-15S
	DS-SVX $\frac{1}{4}$ 25-11MET	4	○		.984	25.000	.945	24	.945	24	5.906	150	.394	10.0	LRIS-2.5 × 7	CLR-15S
	DS-SVX $\frac{1}{4}$ 25-11	4	●		1	25.400	.945	24	.945	24	5.906	150	.394	10.0	LRIS-2.5 × 7	CLR-15S



## VC.. Inserts - Carbide

(inch)	IC	T
VC..22	1/4	1/8

Shape	Item Number	ISO Item Number	IC	R	Carbide												CVD	Diamond Coating	Graph	
					PVD Coated								KM1	CP1	UC1					
					ST4	DM4	DT4	QM3	TM4	VM1	ZM3	IC								
					Steel	P	●	●	●	●	●	●	●	●	●	●	●	●	●	●
					Stainless Steel	M	●	●	●	●	●	●	●	●	●	●	●	●	●	
					Cast Iron	K	●	●	●	●	●	●	●	●	●	●	●	●	●	
					Non-Ferrous Material	N	●	●	●	●	●	●	●	●	●	●	●	●	●	
					Heat Resistant Alloy	S	●	●	●	●	●	●	●	●	●	●	●	●	●	
					Hardened Material	H	●	●	●	●	●	●	●	●	●	●	●	●	●	
	VCGT 2204M YL	VCGT 110301M YL	1/4	.003	●	●	○	●	○	○	○	○	○	○	○	○	○	○		
	VCGT 2208M YL	VCGT 110302M YL	1/4	.007	●	●	○	●	○	○	○	○	○	○	○	○	○	○		
	VCGT 221M YL	VCGT 110304M YL	1/4	.015	●	●	○	●	○	○	○	○	○	○	○	○	○	○		
	VCGT 2204M CL	VCGT 110301M CL	1/4	.003	○	○	●	○	●	○	○	○	○	○	○	○	○	○		
	VCGT 2208M CL	VCGT 110302M CL	1/4	.007	○	○	●	○	●	○	○	○	○	○	○	○	○	○		
	VCGT 2201 FNAM3	VCGT 110300 FNAM3	1/4	.001	○	○	●	●	○	●	■	○	○	○	○	○	○	○		
	VCGT 2204M FNAM3	VCGT 110301M FNAM3	1/4	.003	○	○	●	●	○	●	○	○	○	○	○	○	○	○		
	VCGT 2204 FNAM3	VCGT 110301 FNAM3	1/4	.004	○	○	●	●	○	●	○	○	○	○	○	○	○	○		
	VCGT 2208M FNAM3	VCGT 110302M FNAM3	1/4	.007	○	○	●	●	○	●	○	○	○	○	○	○	○	○		
	VCGT 2208 FNAM3	VCGT 110302 FNAM3	1/4	.008	○	○	●	●	○	●	○	○	○	○	○	○	○	○		
	VCGT 221M FNAM3	VCGT 110304M FNAM3	1/4	.015	○	○	●	●	○	●	○	○	○	○	○	○	○	○		
	VCMT 2208 FNAM3	VCGT 110302 FNAM3	1/4	.008	○	○	○	○	○	○	○	○	○	○	○	○	○	○		
	VCMT 221 FNAM3	VCGT 110304 FNAM3	1/4	.016	○	○	○	○	○	○	○	○	○	○	○	○	○	○		
	VCGT 2201 AZ7	VCGT 110300 AZ7	1/4	.001	○	○	○	○	○	○	○	○	○	○	○	○	○	○		
	VCGT 2204M AZ7	VCGT 110301M AZ7	1/4	.003	○	○	○	○	○	○	○	○	○	○	○	○	○	○		
	VCGT 2208M AZ7	VCGT 110302M AZ7	1/4	.007	○	○	○	○	○	○	○	○	○	○	○	○	○	○		
	VCGT 221M AZ7	VCGT 110304M AZ7	1/4	.015	○	○	○	○	○	○	○	○	○	○	○	○	○	○		
wiper insert	VCGT 2202 ½ S-WP*	TFV 11F ½ 05SX	1/4	.002	○	○	○	○	○	○	○	○	○	○	○	○	○	○		
	VCGT 2204 ½ S-WP*	TFV 11F ½ 10SX	1/4	.004	○	○	○	○	○	○	○	○	○	○	○	○	○	○		
	VCGT 2201 ½ U	VCGT 110300 ½ U	1/4	.001	○	○	○	○	○	○	○	○	○	○	○	○	○	○		
	VCGT 2204M ½ U	VCGT 110301M ½ U	1/4	.003	○	○	○	○	○	○	○	○	○	○	○	○	○	○		
	VCGT 2204 ½ U	VCGT 110301 ½ U	1/4	.004	○	○	○	○	○	○	○	○	○	○	○	○	○	○		
	VCGT 2208M ½ U	VCGT 110302M ½ U	1/4	.007	○	○	○	○	○	○	○	○	○	○	○	○	○	○		
	VCGT 2208 ½ U	VCGT 110302 ½ U	1/4	.008	○	○	○	○	○	○	○	○	○	○	○	○	○	○		
wiper insert	VCGT 2202 ½ U-WP*	TFV 11F ½ 05U	1/4	.002	○	○	○	○	○	○	○	○	○	○	○	○	○	○		
	VCGT 2204 ½ U-WP*	TFV 11F ½ 10U	1/4	.004	○	○	○	○	○	○	○	○	○	○	○	○	○	○		
	VCGW 2201 H	VCGW 110300 H	1/4	.001	○	○	○	○	○	○	○	○	○	○	○	○	○	○		
	VCGW 2204 H	VCGW 110301 H	1/4	.004	○	○	○	○	○	○	○	○	○	○	○	○	○	○		
	VCGW 2208 H	VCGW 110302 H	1/4	.008	○	○	○	○	○	○	○	○	○	○	○	○	○	○		



\* Note: NTK WP style inserts have a wiper facet design.

The insert has a 0.2mm (.008") flat on the cutting edge when the insert is set into the toolholder. The flat on the cutting edge ensures a superior surface finish when feed rates are increased.

WP style inserts can be used in toolholders: SVAC

Cutting condition → Q4 Chipbreaker → P20

● : 1st Choice ● : 2nd choice

Shape	Item Number	ISO Item Number	Edge Prep.	IC	R	No. of edge	Length of edge	CBN (Brazed)												PCD	Diamond Coating		
								BIDEMICS Coated		Solid CBN		Coated											
								JP2	B99	B5K	B52	B6K	B36	B40	B23	B30	PD1	PD2	UC1				
	VCGW 2208 PD S0415	VCGW 110302 PD S01015	S0415	1/4	.008	2	.102	○	○	○	○	○	○	○	○	○	○	○	○	○	○	○	○
	VCGW 2208 PD S0635	VCGW 110302 PD S01535	S0635	1/4	.008	2	.102	○	○	○	○	○	○	○	○	○	○	○	○	○	○	○	○
	VCGW 221 PD S0415	VCGW 110304 PD S01015	S0415	1/4	.016	2	.098	○	○	○	○	○	○	○	○	○	○	○	○	○	○	○	○
	VCGW 221 PD S0635	VCGW 110304 PD S01535	S0635	1/4	.016	2	.098	○	○	○	○	○	○	○	○	○	○	○	○	○	○	○	○
	VCGW 222 PD S0415	VCGW 110308 PD S01015	S0415	1/4	.031	2	.098	○	○	○	○	○	○	○	○	○	○	○	○	○	○	○	○
	VCGW 222 PD S0635	VCGW 110308 PD S01535	S0635	1/4	.031	2	.098	○	○	○	○	○	○	○	○	○	○	○	○	○	○	○	○
	VCGW 223 PD S0415	VCGW 110312 PD S01015	S0415	1/4	.047	2	.106	○	○	○	○	○	○	○	○	○	○	○	○	○	○	○	○
	VCGW 223 PD S0635	VCGW 110312 PD S01535	S0635	1/4	.047	2	.106	○	○	○	○	○	○	○	○	○	○	○	○	○	○	○	○
	VCMW 2204	VCMW 110301	None	1/4	.004	1	—	○	○	○	○	○	○	○	○	○	○	○	○	○	○	○	○
	VCMW 2208	VCMW 110302	None	1/4	.008	1	—	○	○	○	○	○	○	○	○	○	○	○	○	○	○	○	○
	VCMW 221	VCMW 110304	None	1/4	.016	1	—	○	○	○	○	○	○	○	○	○	○	○	○	○	○	○	○

● : Stock ● : Stock (Newly added) ■ □ □ : While stocks last R L : Stock (Right / Left-hand only) R L : Stock (Right / Left-hand only, Newly added) ○ : 1-2 week delivery ○ : 1-2 week delivery (Newly added) ● : Coolant through (R)L : 1-2 week delivery (Right / Left-hand only) (R)L : 1-2 week delivery (Right / Left-hand only, Newly added)